

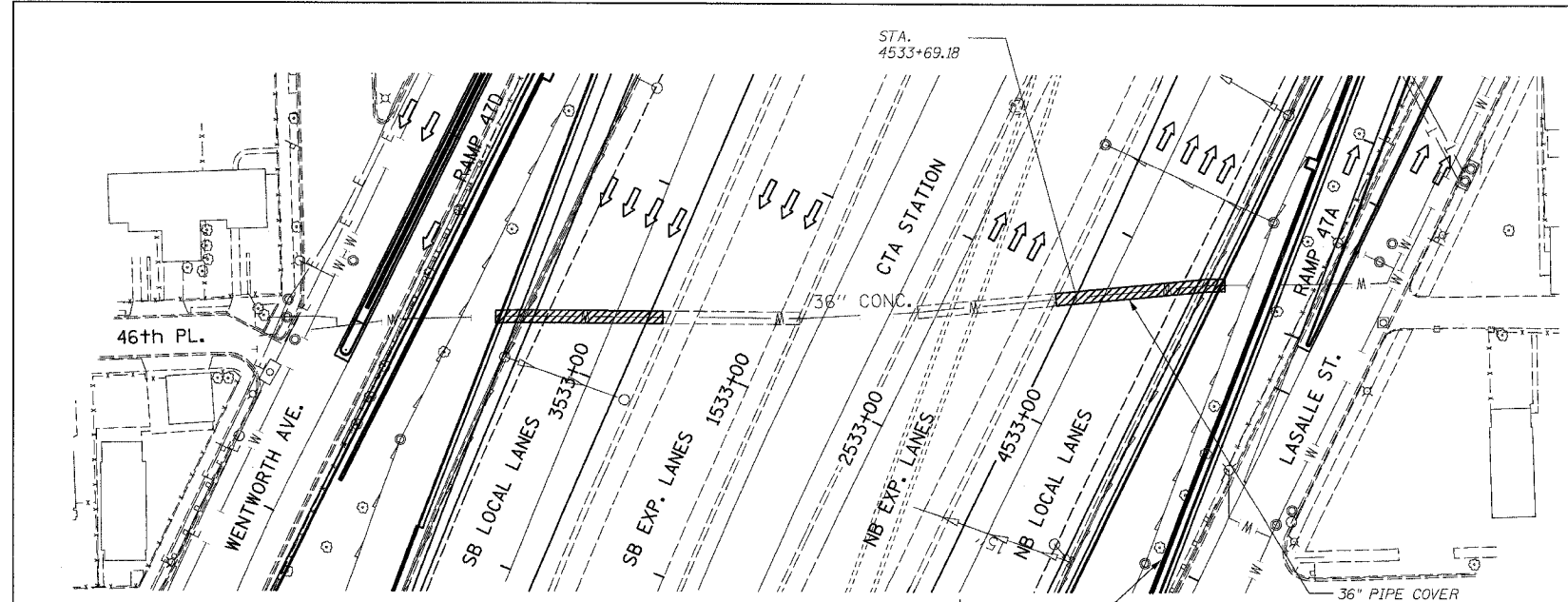
F.A.I.	SECTION	COUNTY	TOTAL SHEETS	SHEET NO.
94/90	*	COOK	565	344
STA.	TO STA.			
FED. ROAD DIST. NO.	ILLINOIS FED. AID PROJECT			
62301 * (2021-922 PT2 ETC 2324.6-1P) R-10				

BILL OF MATERIAL

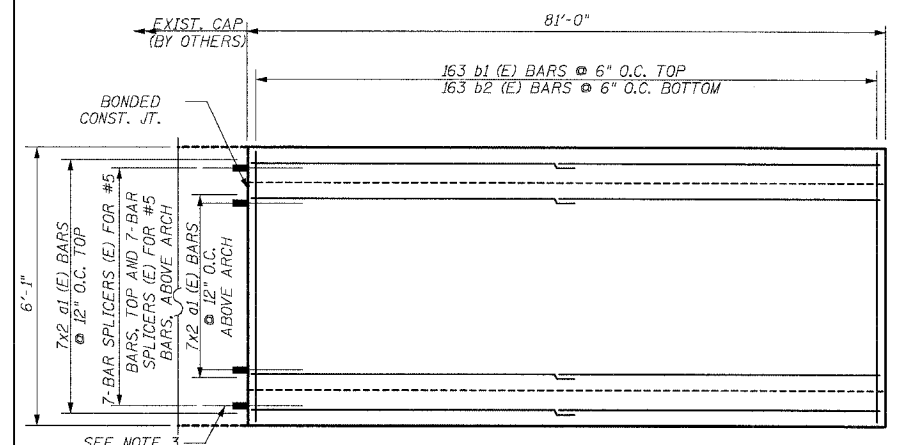
BAR	NO.	SIZE	LENGTH	SHAPE
a1(E)	40	#5	41'-6"	—
b1(E)	163	#5	10'-4"	□
b2(E)	163	#5	10'-3"	◡
REINFORCEMENT BARS, EPOXY COATED			POUNDS	5,240
CONCRETE STRUCTURES			CU. YD.	29.8

NOTES:

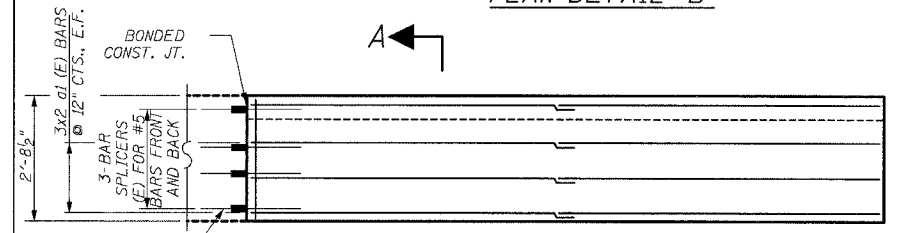
1. THE 2" POLYSTYRENE INSULATION SHALL BE INCLUDED IN THE COST OF 36" WATER MAIN PROTECTION CAP CONSTRUCTION. THE ESTIMATED QUANTITY IS 477 SQ. FT.
2. ADDITIONAL GRANULAR SUB-BASE REQUIRED AS SHOWN IN SECTION A-A OR AS DIRECTED BY ENGINEER WILL BE INCLUDED IN THE COST OF SUB-BASE GRANULAR MATERIAL, TYPE B 24".
3. CONTRACTOR SHALL BE PROVIDED BAR SPLICER "TAILS" FROM THE ENGINEER & SHALL INSTALL THEM IN PREVIOUSLY PLACED THREADED COUPLERS. CLEAN COUPLERS AS REQUIRED TO RECEIVE TAILS. COST INCLUDED WITH REINFORCEMENT BARS, EPOXY COATED.
4. DEViate CAP AND REINFORCEMENT AS NECESSARY TO FOLLOW LAYOUT OF PIPE.
5. ALL BARS DESIGNATED (E) MUST BE EPOXY COATED.
6. ALL BARS MUST BE #5 BARS WITH A MINIMUM LAP OF 2'-2".



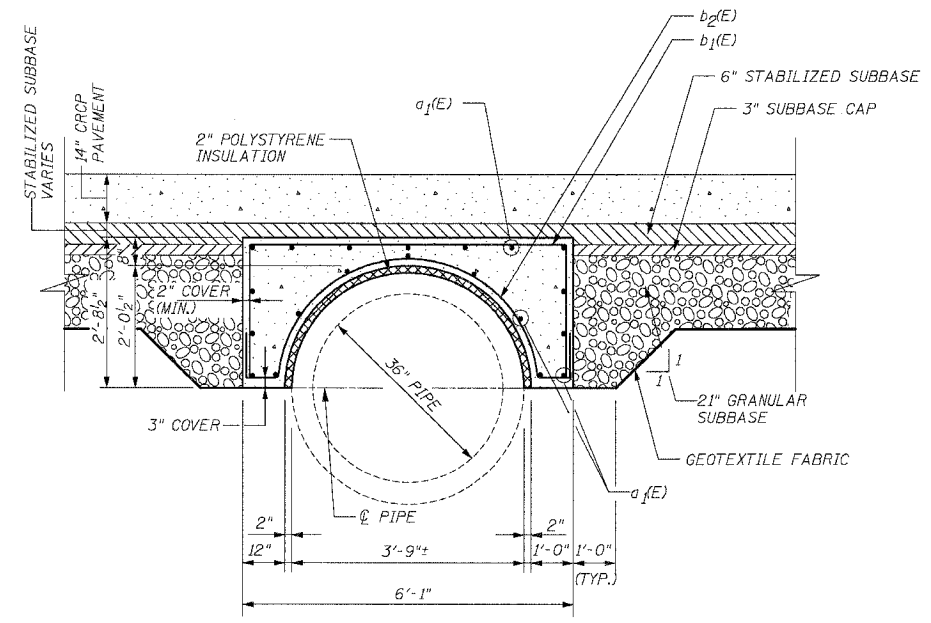
THIS PORTION OF PLAN PROVIDED FOR INFORMATION ONLY, NOT IN CONTRACT.
TOPOGRAPHIC PLAN



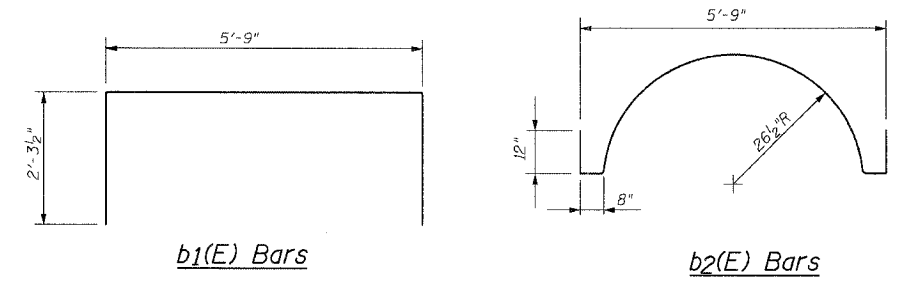
PLAN DETAIL 'B'



ELEVATION 'B'



SECTION A-A



b1(E) Bars

b2(E) Bars

BOWMAN, BARRETT & ASSOCIATES INC.
CONSULTING ENGINEERS
Chicago, Illinois
312.228.0100
www.bbainc.com

REVISIONS	
NAME	DATE

RDT-13
ILLINOIS DEPARTMENT OF TRANSPORTATION
F.A.I. 94/90 (DAN RYAN EXPRESSWAY)
GARFIELD BLVD. TO 31ST STREET (NB LOCAL LANES)
RDWY DETAILS - 46TH ST CROSSING
36" WATER MAIN PROTECTION CAP
SCALE: NTS
DATE: JUNE 9, 2006
DRAWN BY: BLU
CHECKED BY: MTR

6/7/2006 7:56:09 PM