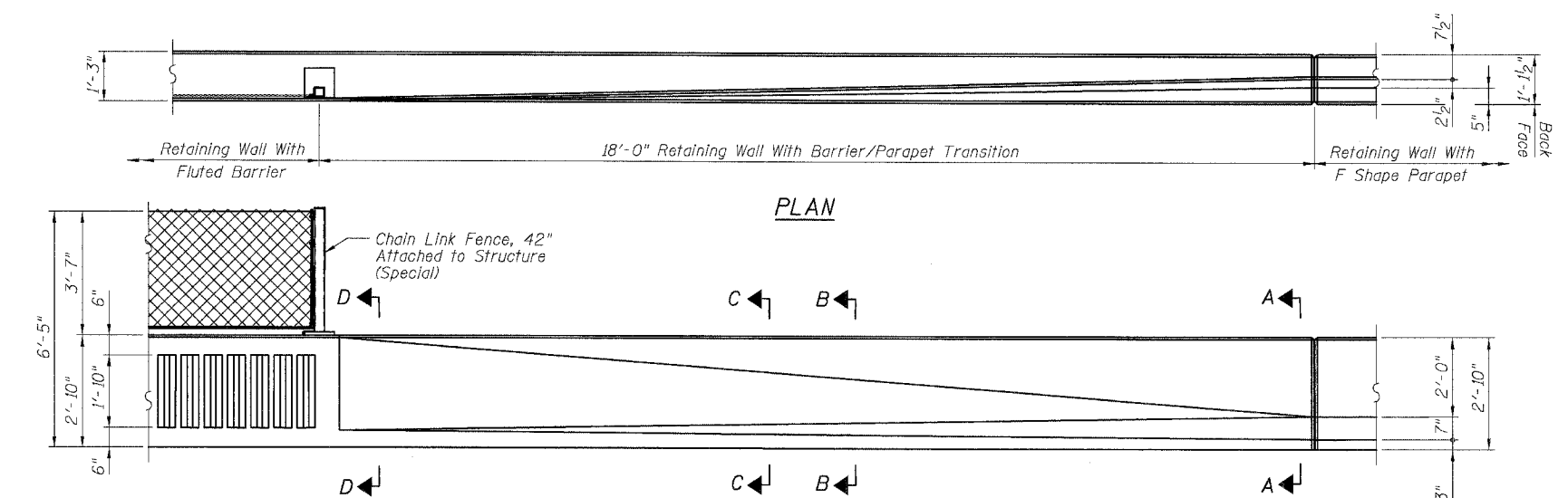
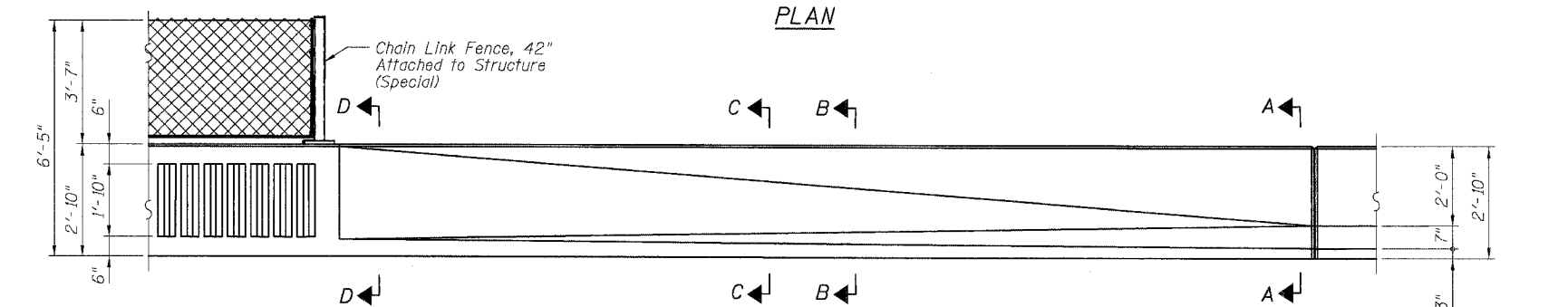


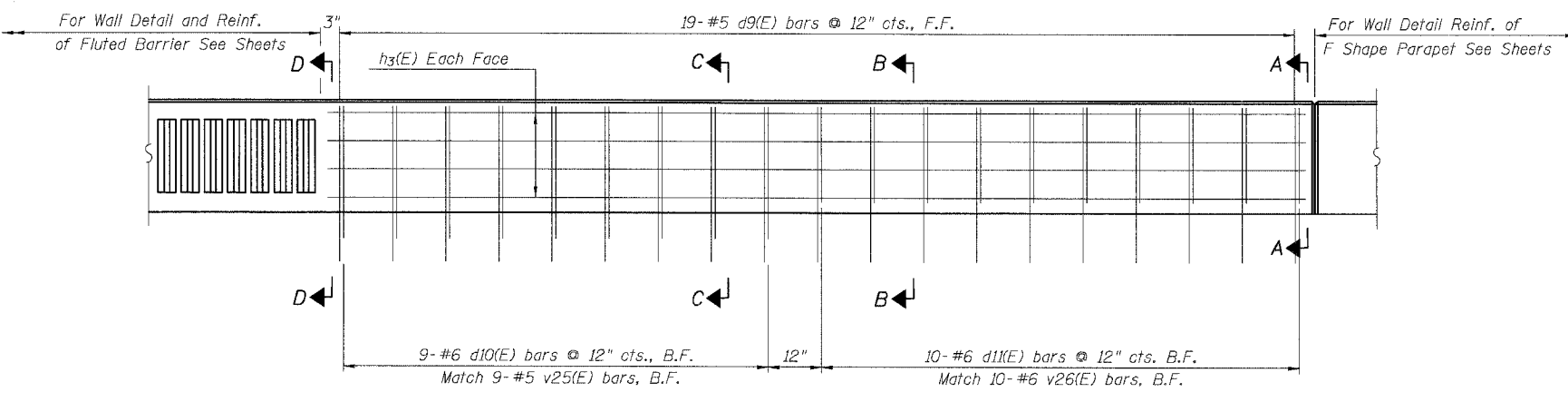
F.A.I.	SECTION	COUNTY	TOTAL SHEETS	SHEET NO.
94/90		COOK	565	387
STA.	TO STA.			
FED. ROAD DIST. NO.	ILLINOIS	FED. AID PROJECT		
62301	*I2021-922 PT2 ETC	2324.6-1P	R-10	



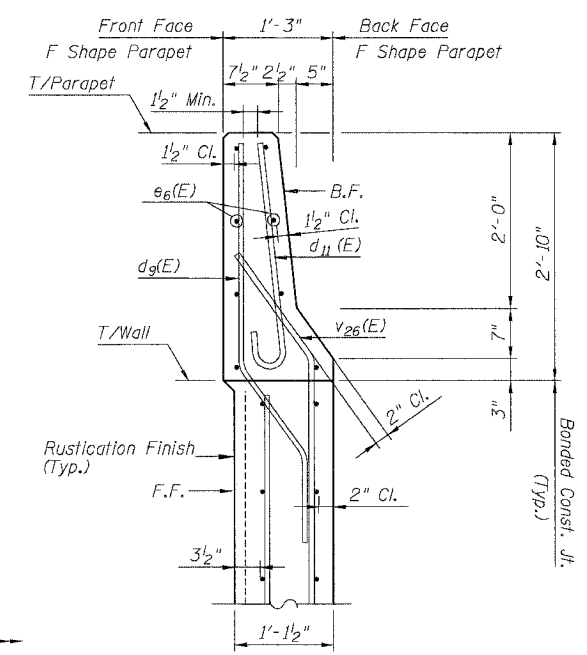
**PLAN**



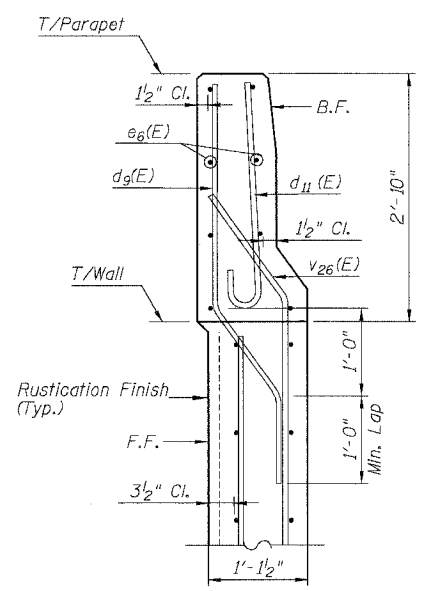
**BACK FACE ELEVATION - TRANSITIONS**



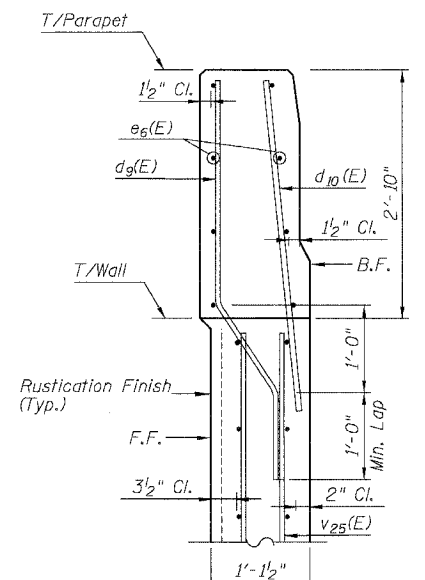
**BACK FACE ELEVATION - REINFORCEMENT**  
(v bars not shown for clarity)



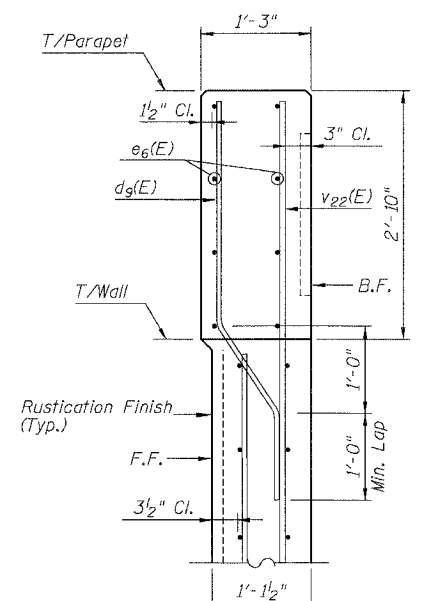
**SECTION A-A**



**SECTION B-B**



**SECTION C-C**



**SECTION D-D**

SHEET 15 OF 24

ILLINOIS DEPARTMENT OF TRANSPORTATION  
 F.A.I. 94/90 (DAN RYAN EXPRESSWAY)  
 GARFIELD BLVD TO 31ST STREET (NB LOCAL LANES)  
 COOK COUNTY  
 STA. 4529+75.90 TO STA. 4537+30.74  
 RETAINING WALL N-47N-R  
 PARAPET TRANSITION  
 S.N. 016-W977

REVISIONS	
NAME	DATE

**NOTES:**  
 1. For Bill of Bars & Bar Bend Details, See Sheet 9 of 24.

SCALE: NTS  
 DATE: JUNE 9, 2006  
 DRAWN BY: MTR  
 CHECKED BY: BLU

BOWMAN, BARRETT & ASSOCIATES INC.  
 CONSULTING ENGINEERS  
 Chicago, Illinois  
 312.228.0100  
 www.bbainc.com

6/17/2006 3:48:48 PM