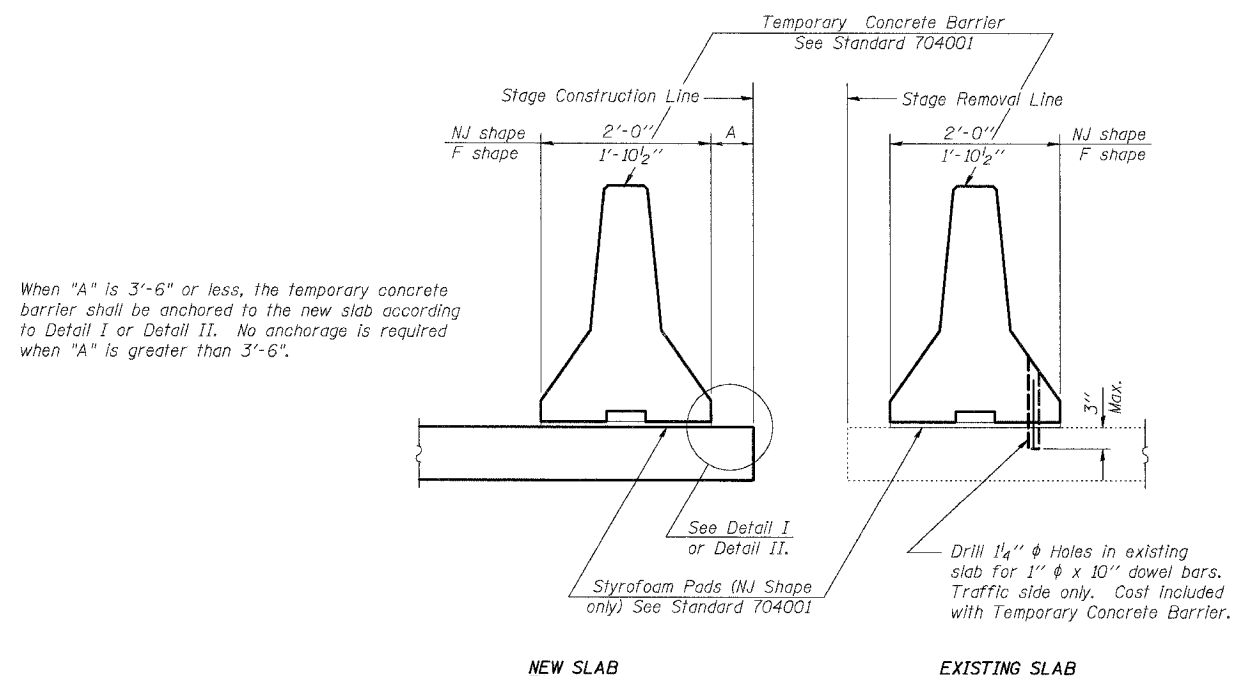


F.A.I.	SECTION	COUNTY	TOTAL SHEETS	SHEET NO.
94/90		COOK	565	434
STA.	TO STA.			
FED. ROAD DIST. NO.	ILLINOIS	FED. AID PROJECT		
62301	*(2021-922 PT2 ETC 2324.6-1P) R-10			



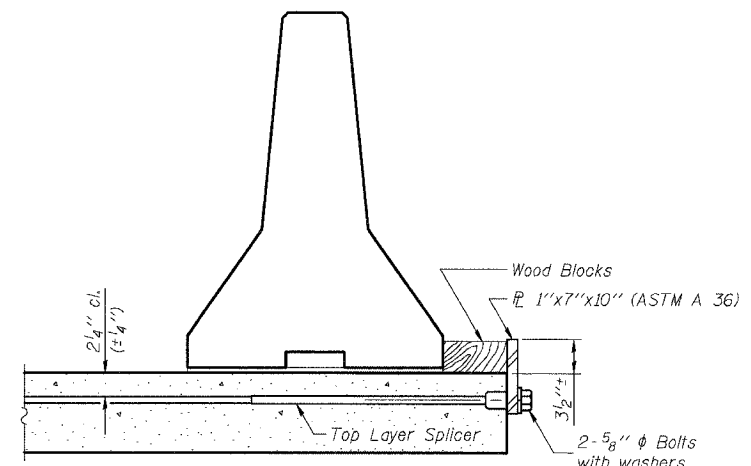
SECTIONS THRU SLAB

NOTES

Detail I - With Bar Splicer or Couplers:
Connect one (1) 1"x7"x10" steel PL to the top layer of couplers with 2-5/8" φ bolts screwed to coupler at approximate CL of each barrier panel.

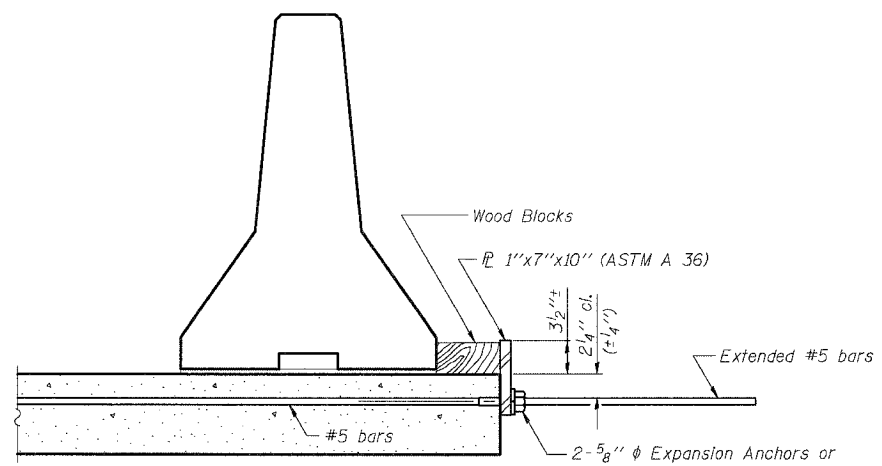
Detail II - With Extended Reinforcement Bars:
Connect one (1) 1"x7"x10" steel PL to the concrete slab with 2-5/8" φ Expansion Anchors or cast in place inserts spaced between the top layer of reinforcement at approximate CL of each barrier panel.
Cost of anchorage is included with Temporary Concrete Barrier.

Repair any holes drilled in concrete over culvert or approach pavement with non-shrink epoxy grout as directed by the Engineer. Cost included with Temporary Concrete Barrier.



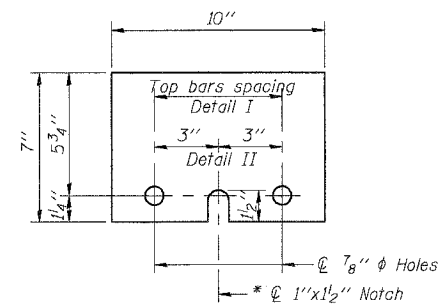
DETAIL I

The 1"x7"x10" Plate shall not be removed until Stage II Construction forms and reinforcement bars are in place.



DETAIL II

The 1"x7"x10" Plate shall not be removed until Stage II Construction forms and all reinforcement bars are in place and the concrete is ready to be placed.



1"x7"x10"

* Required only with Detail II

BOWMAN, BARRETT & ASSOCIATES INC.
CONSULTING ENGINEERS
Chicago, Illinois
312.228.0100
www.bbandainc.com

R-27 9-01-03

REVISIONS		DATE
NAME		

SHEET CUL- 9 OF CUL-16

ILLINOIS DEPARTMENT OF TRANSPORTATION
F.A.I. 94/90 (DAN RYAN EXPRESSWAY)
GARFIELD BLVD TO 31ST STREET (NB LOCAL LANES)
MWRD CULVERT, N. OF 39TH ST.,
COOK COUNTY, S.N. 016-2625
TEMP. CONC. BARRIER FOR STAGE CONSTR.

SCALE: N.T.S. DRAWN BY: MTR
DATE: JUNE 9, 2006 CHECKED BY: BLU

4/26/04 PM 6/7/2006