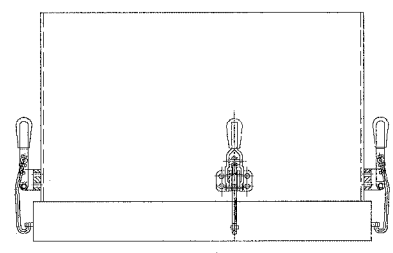
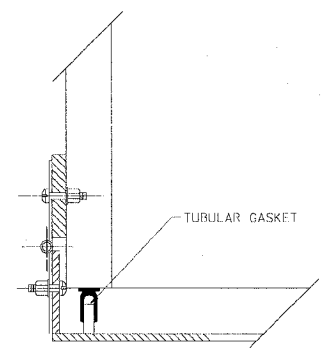


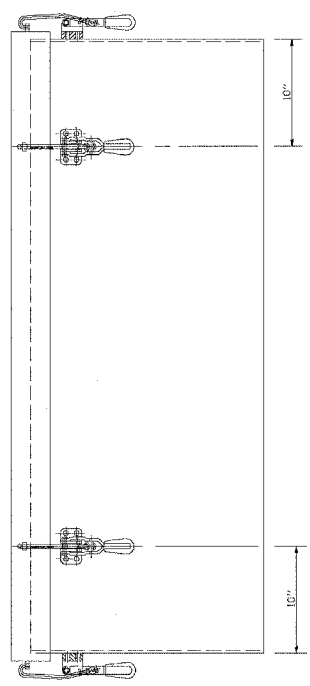
F.A. RTE.	SECTION	COUNTY	TOTAL SHEETS	SHEET NO.
9094	*	COOK	665	449
STA.		TO STA.		
FED. ROAD DIST. NO. 1		ILLINOIS	FED. AID PROJECT	
62301		*(2021-922 PT2 ETC 2324.6-1P) R-10		



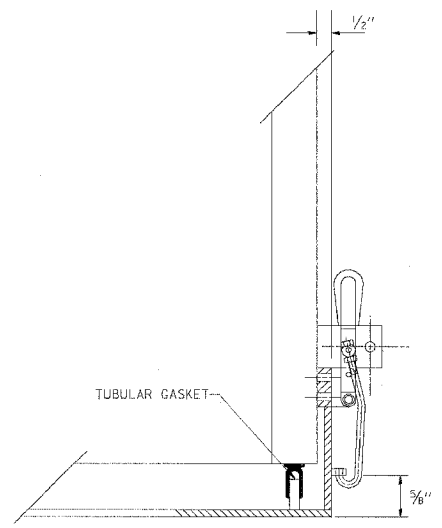
TOP VIEW



HINGE DETAIL

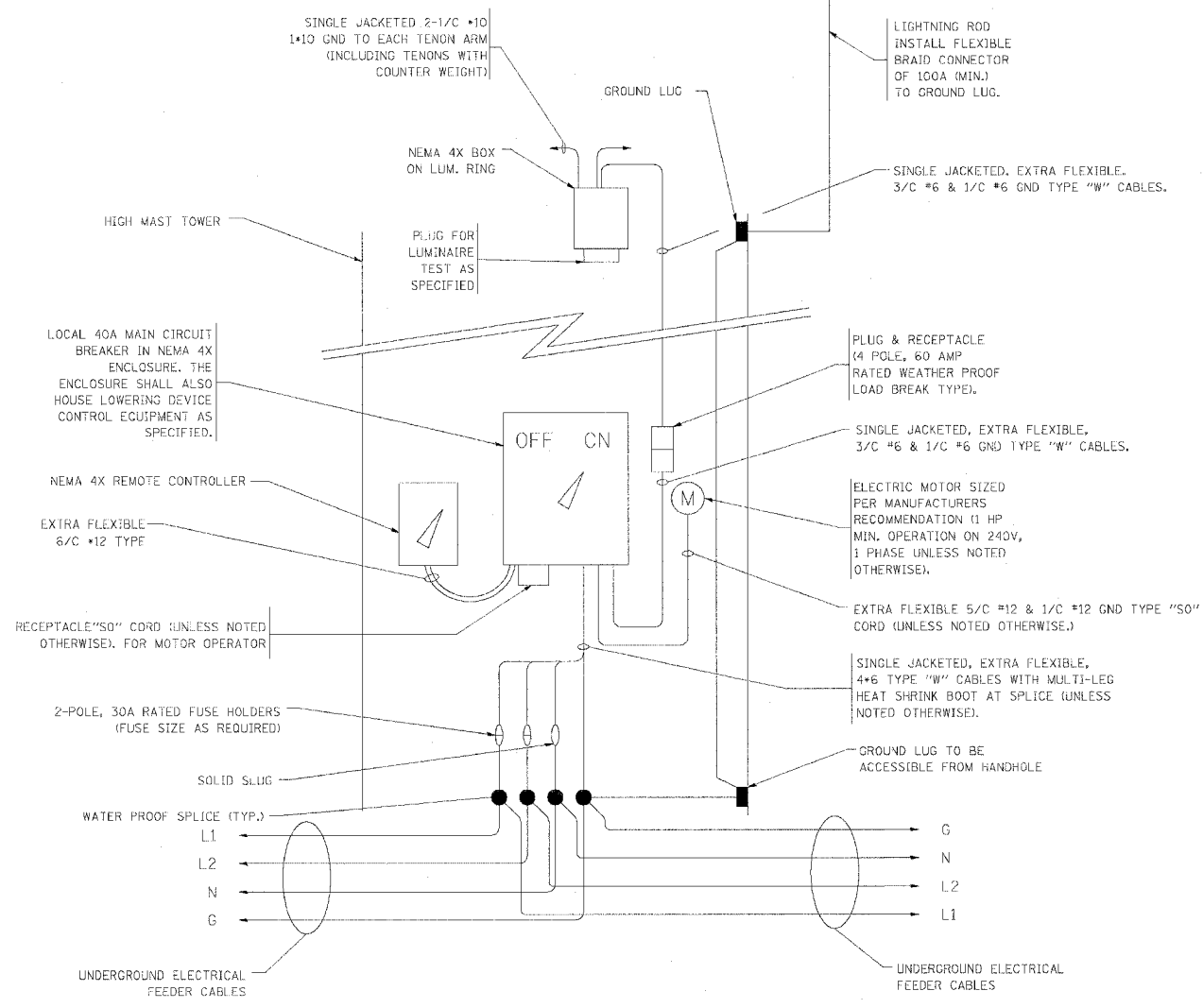


SIDE VIEW

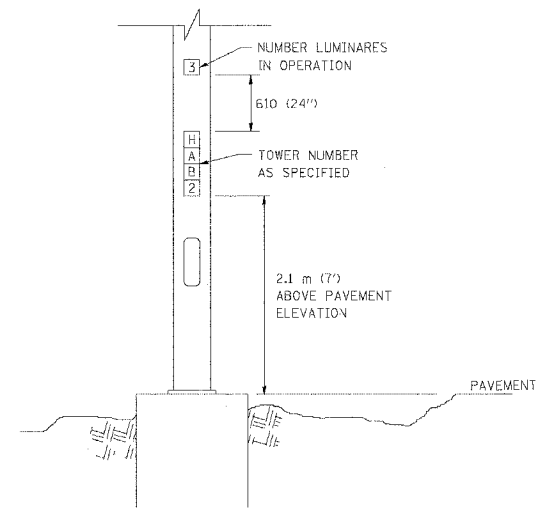


LATCH DETAIL

HANDHOLE DOOR DETAILS



HIGH MAST POLE WIRING DIAGRAM



LIGHT TOWER NUMBERING DETAIL

REVISIONS	
NAME	DATE

ILLINOIS DEPARTMENT OF TRANSPORTATION
HIGH MAST LIGHT TOWER
 27m TO 36m (90FT TO 120FT)
 SHEET 3 OF 3

SCALE: VERT. NONE
 HORIZ. DATE
 DRAWN BY
 CHECKED BY

05/12/2004
 K:\d\sl\sl\be500.dwg
 VI-BE500
 LEYSA

REVISION DATE: 08/04/03