

STATE OF ILLINOIS
DEPARTMENT OF TRANSPORTATION

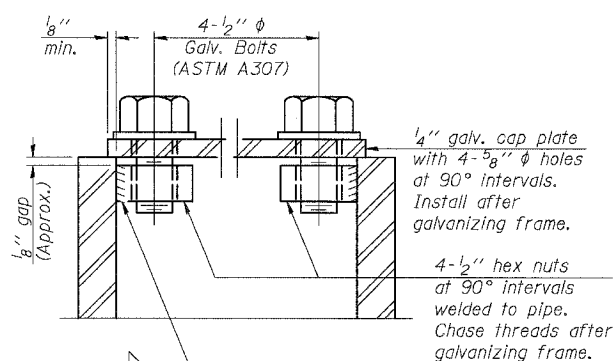
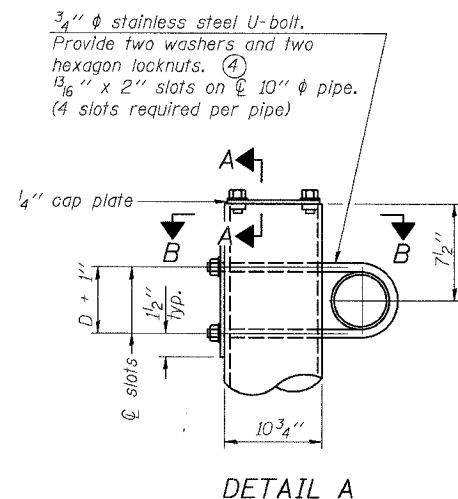
ROUTE NO.	SECTION	COUNTY	SHEETS	SHEET NO.
94/90	*	COOK	588	271
FED. ROAD DIST. NO. 1	ILLINOIS	FED. AID PROJECT-		

* 62303 (2021-922 PT2 ETC 2324.6-1P) R-11

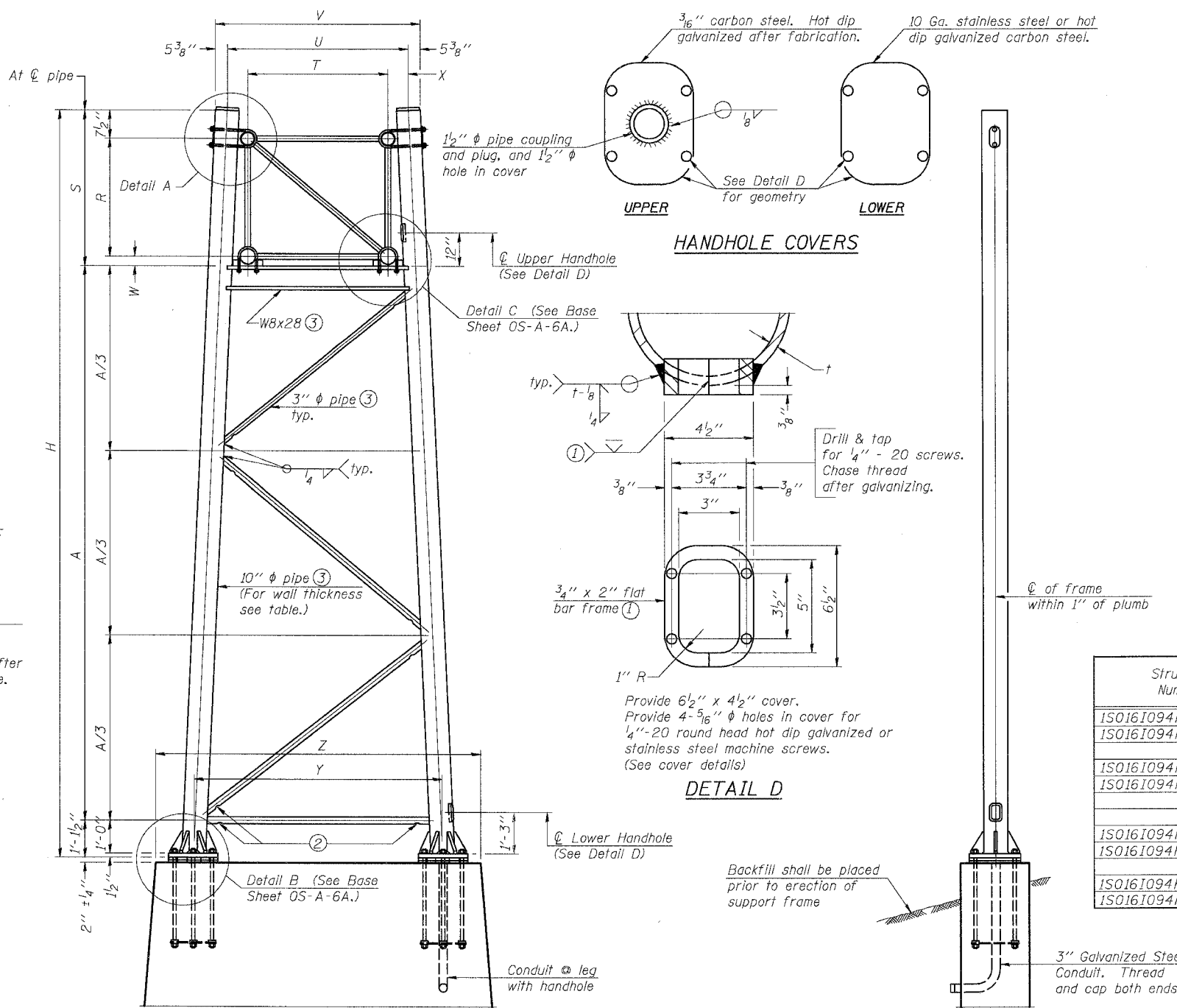
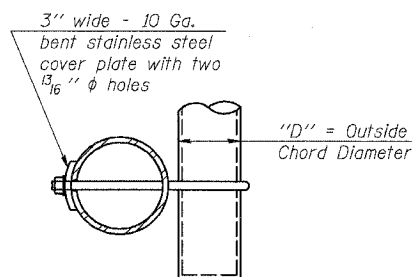
Support Design Loads: See Base Sheet OS-A-1 for design and loading criteria.

Load combinations checked include deadload plus:
a) 100% wind normal to sign, 20% parallel to sign
b) 60% wind normal to sign, 30% parallel to sign

- ① In lieu of fabricated handhole frame as shown, may cut from 2" plate *rolling direction vertical*. All cut faces to be ground to ANSI Roughness of 500 min or less.
- ② Galvanizing vent holes of adequate size shall be provided on underside of each end of bracing pipes. Alternately, holes may be provided in wall of pipe column. All vent holes shall be drilled and de-burred, typ.
- ③ Steel pipe, plate, carbon steel handhole covers and rolled sections shall be hot dip galvanized after fabrication. Painting is not permitted. See Base Sheet OS-A-1.
- ④ See General Notes for fasteners.
- ⑤ Dimensions shown are based on selection criteria in the Sign Structures Manual. Nonstandard applications must have dimensions verified or amended as appropriate.



As an alternate to bolts, may use galvanized drive-fit caps installed after galvanizing frame.



Structure Number	Station	Support		Truss Type	Pipe Wall Thickness	H	A
		Left	Right				
ISO161094R057.1	3511+00	X		II-A	0.365 (Std)	25.51'	18.12'
ISO161094R057.1	3511+00		X	II-A	0.365 (Std)	22.10'	14.71'
ISO161094R056.8	3524+00	X		II-A	0.365 (Std)	25.50'	18.11'
ISO161094R056.8	3524+00		X	II-A	0.365 (Std)	23.00'	15.61'
ISO161094R056.67	3532+00	X		II-A	0.365 (Std)	25'-6 5/8"	18'-2 1/4"
ISO161094R056.67	3532+00		X	II-A	0.365 (Std)	20'-11 3/16"	13'-6 7/16"
ISO161094R056.47	3543+00	X		II-A	0.365 (Std)	24'-10 5/16"	17'-6 1/16"
ISO161094R056.47	3543+00		X	II-A	0.365 (Std)	24'-6 1/2"	17'-1 3/4"

DESIGNED	AC	20
CHECKED	AS	EXAMINED
DRAWN	RV	PASSED
CHECKED	MSA	

ENGINEER OF STRUCTURAL SERVICES
ENGINEER OF BRIDGES AND STRUCTURES

OS-A-6

1-7-05

NUMBER	REVISION	DATE
ADDENDUM 2		8/04/06

Truss Type	Dimensions								
	R	S	T	U	V	W	X	Y	Z
I-A	4'-6"	5'-5 1/2"	4'-0"	5'-6"	6'-4 3/4"	4"	9"	8'-3"	10'-9"
II-A ⑤	5'-3"	6'-3 1/4"	4'-6"	6'-1"	6'-11 3/4"	4 3/4"	9 1/2"	8'-3"	10'-9"

SGN-21

OVERHEAD SIGN STRUCTURES
SUPPORT FRAME for ALUMINUM TRUSS

ILLINOIS DEPARTMENT OF TRANSPORTATION
F.A.I. 94/90 (DAN RYAN EXPRESSWAY)
GARFIELD BLVD TO 31st STREET (SB LOCAL LANES)

OVERHEAD SIGN STRUCTURES
(SPAN)