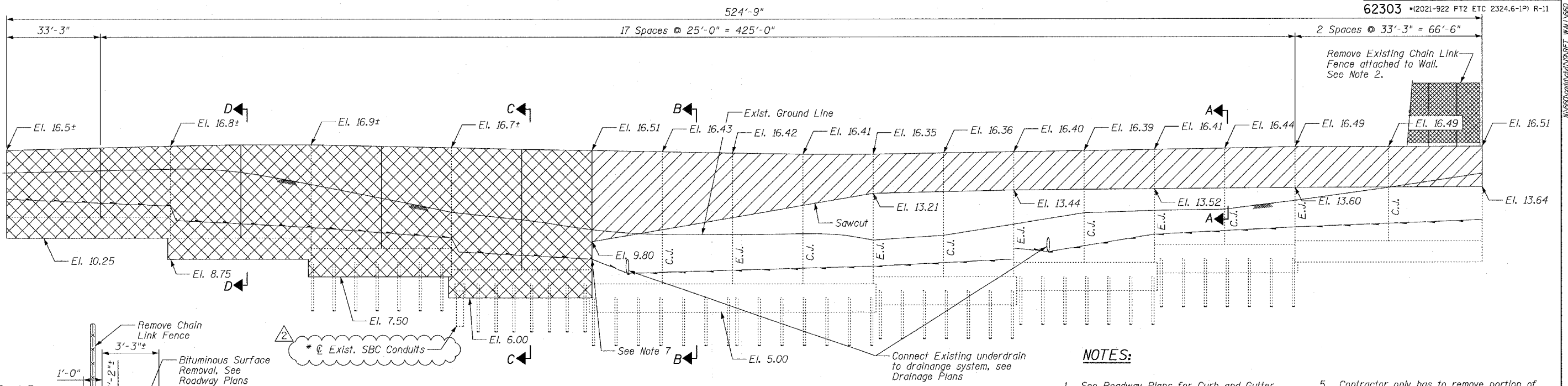


F.A.I.	SECTION	COUNTY	TOTAL SHEETS	SHEET NO.
94/90	*	COOK	588	415
STA.	TO STA.			
FED. ROAD DIST. NO.	ILLINOIS	FED. AID PROJECT		
62303	(2021-922 PT2 ETC 2324.6-1P)	R-11		



FRONT FACE ELEVATION - EXISTING RETAINING WALL (W-3)

* The Contractor shall be required to locate the top edges of existing conduits by excavating a test pit to establish line and grade for this duct package as it passes under the proposed wall as soon as practical after award of Contract. The Contractor shall report this information to the Engineer and restore the test pit as directed. Cost included with Removal of Existing Structure No. 2.

NOTES:

- See Roadway Plans for Curb and Gutter and Pavement Removal and Replacement limits.
- Cost of Chain Link Fence Removal included with Removal of Existing Structures No. 2 or Concrete Removal as appropriate.
- Existing vertical reinforcement bars shall be cleaned, straightened, and incorporated into new construction. Horizontal reinforcement bars shall be removed. Cost included with "Concrete Removal."
- See Roadway Plans for payment of excavations, not included in Structure Excavation.
- Contractor only has to remove portion of existing stem and footing in conflict with proposed wall construction.
- No Structure Excavation paid over limits of Removal of Existing Structures No. 2. Cost of any additional excavation needed to place soldier piles shall be included with Drilling and Setting Soldier Piles (in soil).
- Contractor shall maintain existing wall underdrain to remain and cap end as necessary.
- See Sheet 12 for details of Temp Soil Retention System.
- Saw Cut wall at front face along removal line. Cost of Saw Cuts included with Concrete Removal.

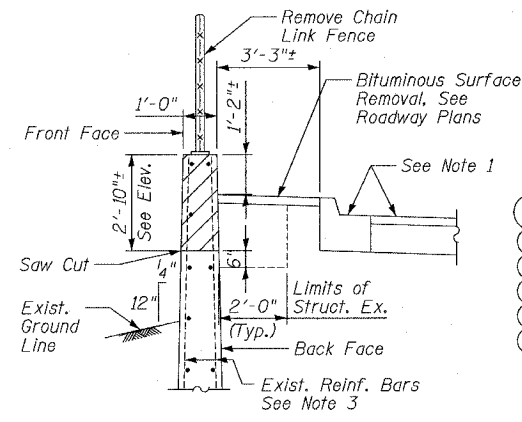
LEGEND

- Concrete Removal
- Removal of Existing Structures No. 2

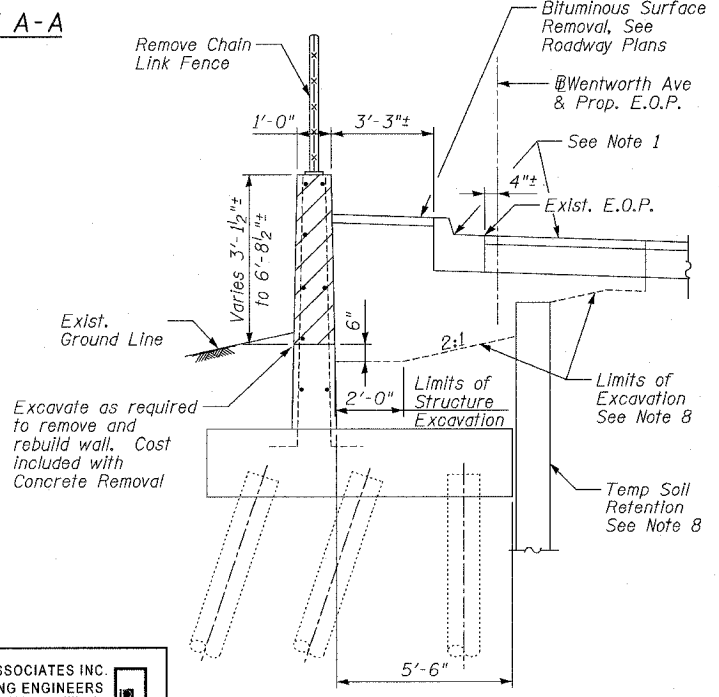
BILL OF MATERIAL

ITEM	UNIT	QTY.
Removal of Existing Structures No. 2	Each	1
Concrete Removal	Cu. Yd.	44
Structure Excavation	Cu. Yd.	188
Pile Extraction	Each	2

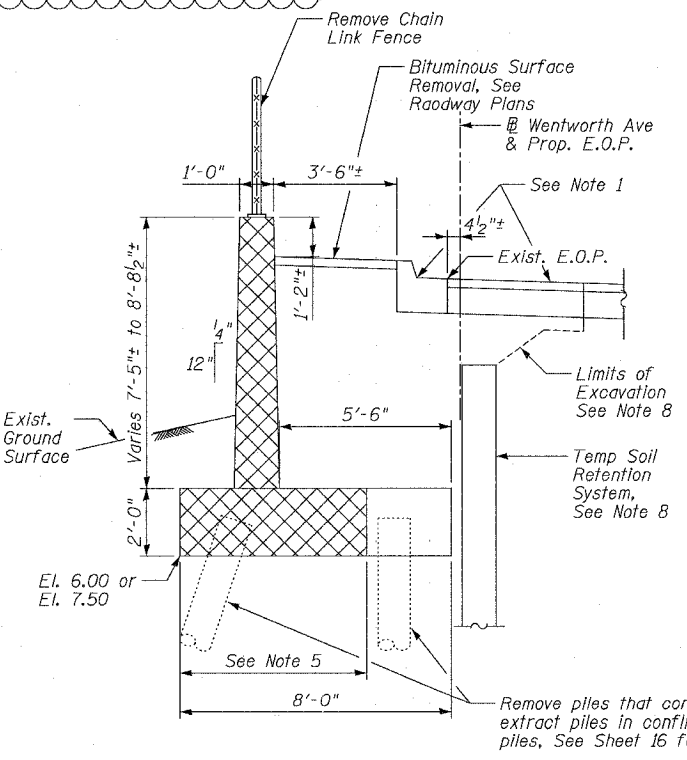
SHEET 4 OF 24



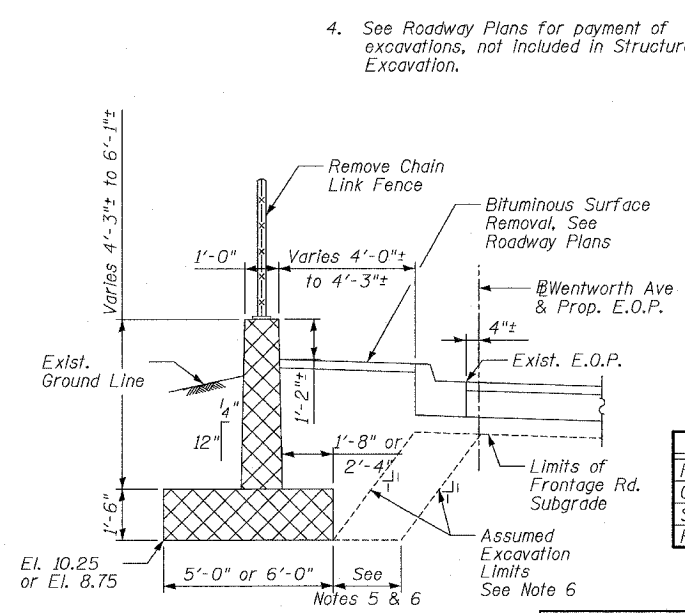
SECTION A-A



SECTION B-B



SECTION C-C



SECTION D-D

REVISIONS	
NAME	DATE
REVISOR	6/14/06
ADDENDUM 2	8/04/06

ILLINOIS DEPARTMENT OF TRANSPORTATION
 F.A.I. 94/90 (DAN RYAN EXPRESSWAY)
 GARFIELD BLVD TO 31ST STREET (SB LOCAL LANES)
 COOK COUNTY
 STA. 3532+90.57 TO STA. 3543+57.42
 RETAINING WALL S-45S-F
 REMOVAL PLAN & DETAILS
 S.N. 016-W978

SCALE: NTS
 DATE: JUNE 9, 2006
 DRAWN BY: MTR
 CHECKED BY: BLU

BOWMAN, BARRETT & ASSOCIATES INC.
 CONSULTING ENGINEERS
 Chicago, Illinois
 312.228.0100
 www.bbainc.com