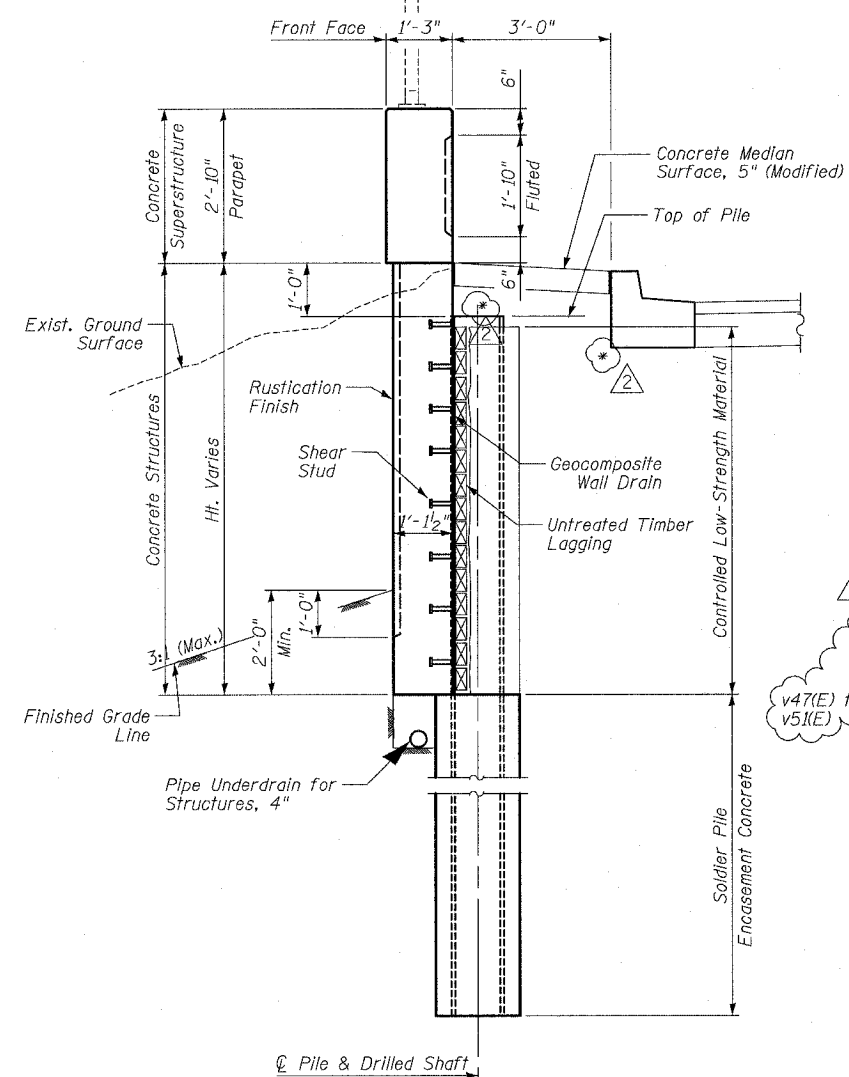
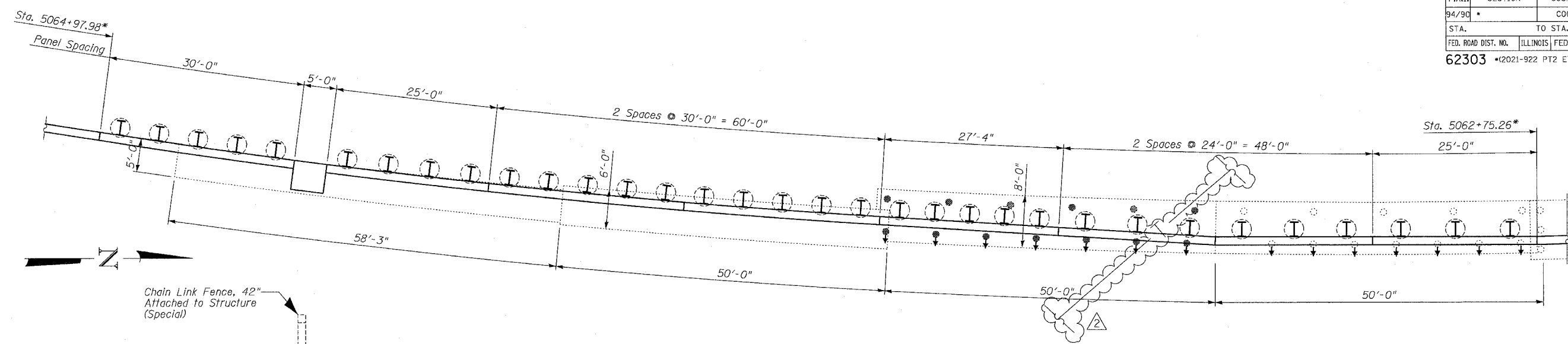
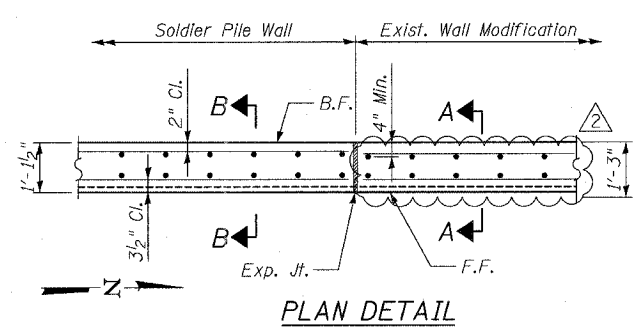


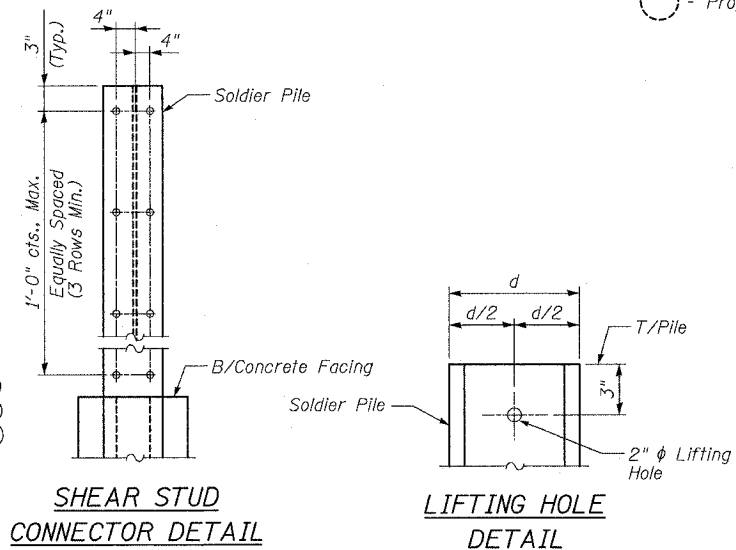
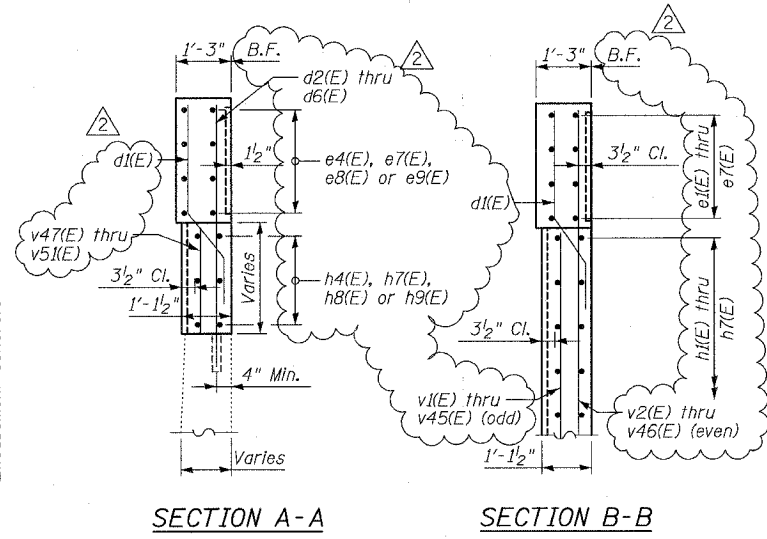
F.A.I.	SECTION	COUNTY	TOTAL SHEETS	SHEET NO.
94/90	*	COOK	588	427
STA.		TO STA.		
FED. ROAD DIST. NO.		ILLINOIS FED. AID PROJECT		
62303		*(2021-922 PT2 ETC 2324.6-1P) R-11		



**PILE REMOVAL LAYOUT**  
\* Ramp 47A Stationing



- LEGEND:**
- - Existing Pile to be removed as part of "Removal of Existing Structures, No.2"
  - - Existing Pile to be Extracted
  - - Existing Pile to Remain
  - ⚡ - Indicates 1 (Horiz) :3 (Vert) Batter Pile
  - - Proposed Soldier Pile Encasement



REVISIONS	
NAME	DATE
REVISOR	6/14/06
REVISOR	7/13/06
ADDENDUM 2	8/04/06

ILLINOIS DEPARTMENT OF TRANSPORTATION  
 F.A.I. 94/90 (DAN RYAN EXPRESSWAY)  
 GARFIELD BLVD TO 31ST STREET (SB LOCAL LANES)  
 COOK COUNTY  
 STA. 3532+90.57 TO STA. 3543+57.42  
 RETAINING WALL S-45S-F  
 PILE REMOVAL LAYOUT & TYP. DETAILS  
 S.N. 016-W978  
 SCALE: NTS  
 DATE: JUNE 9, 2006  
 DRAWN BY: MTR  
 CHECKED BY: BLU

BOWMAN, BARRETT & ASSOCIATES INC.  
 CONSULTING ENGINEERS  
 Chicago, Illinois  
 312.228.0100  
 www.bbainc.com

**TYP. SECTION THRU PROPOSED WALL**  
 See Specific Station Sections for Modifications to this Section  
 \*In areas where curb and gutter are directly above pile, clip pile as needed to give adequate clearance below curb and gutter.

I:\660\cad\civil\p\RET\_WALL\660\_95\MJD\SS\F\_02.dwg  
 8/10/2006 3:55:17 PM