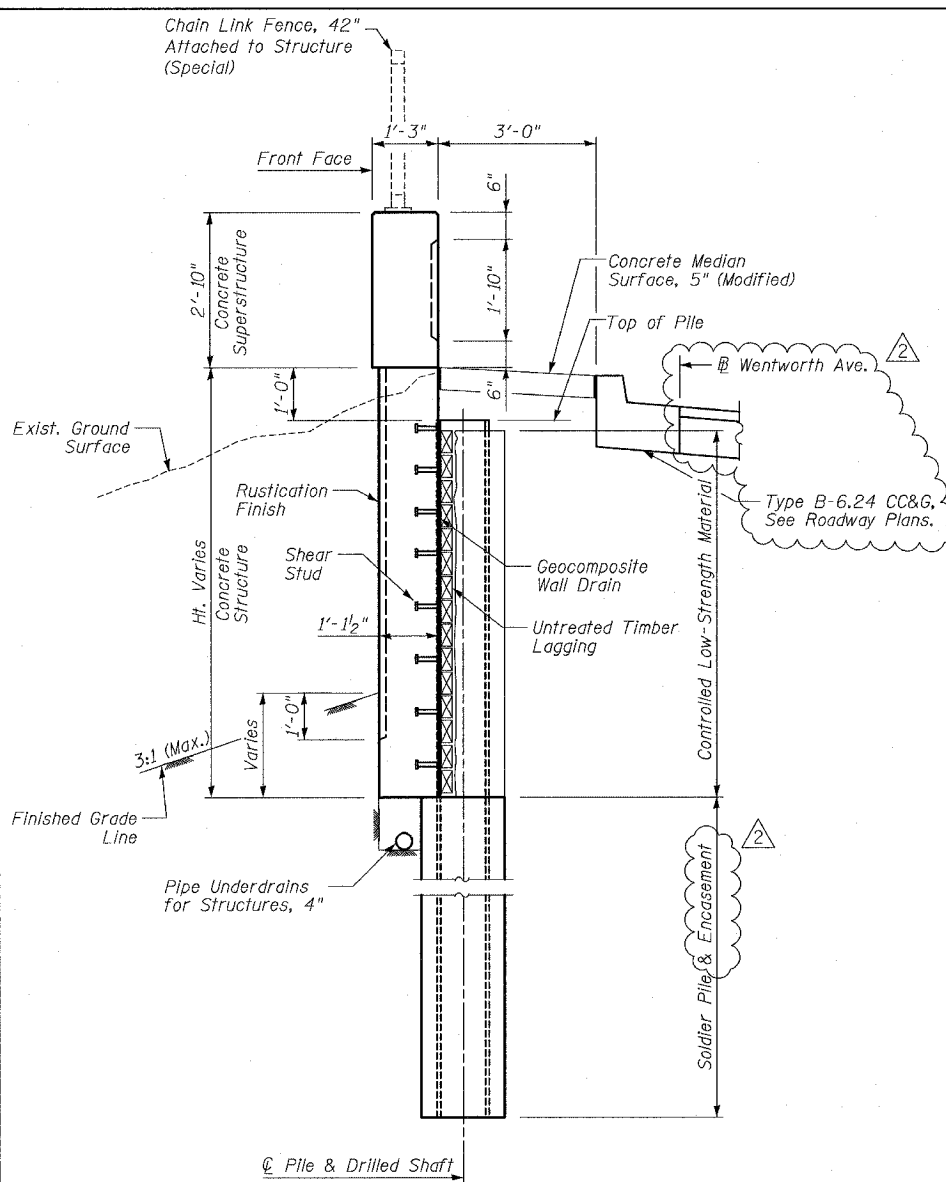
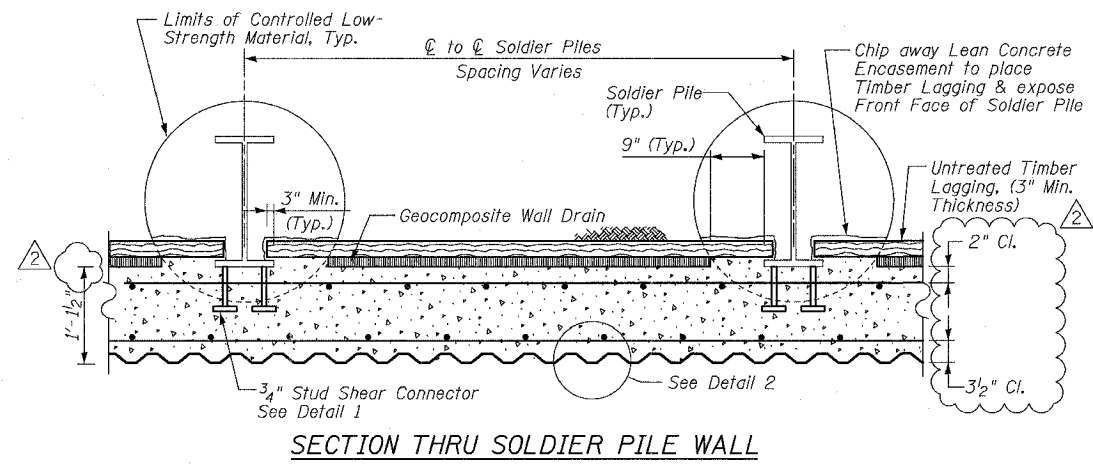


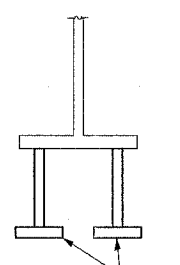
F.A.I.	SECTION	COUNTY	TOTAL SHEETS	SHEET NO.
94/90	*	COOK	588	442
STA.	TO STA.			
FED. ROAD DIST. NO.	ILLINOIS	FED. AID PROJECT		
62303	*I2021-922 PT2 ETC 2324.6-1P1 R-11			



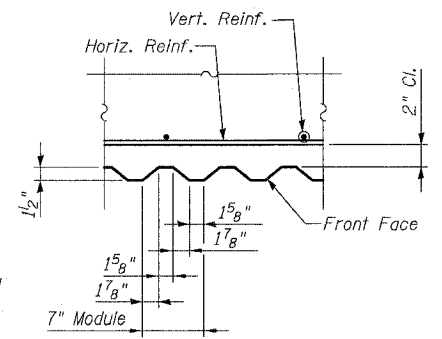
TYP. SECTION THRU PROPOSED WALL
See section thru parapet for reinforcement bar details.



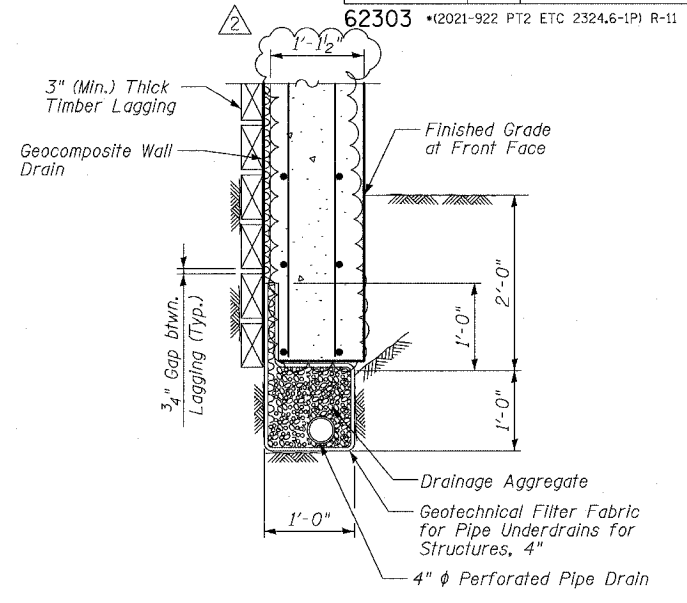
SECTION THRU SOLDIER PILE WALL



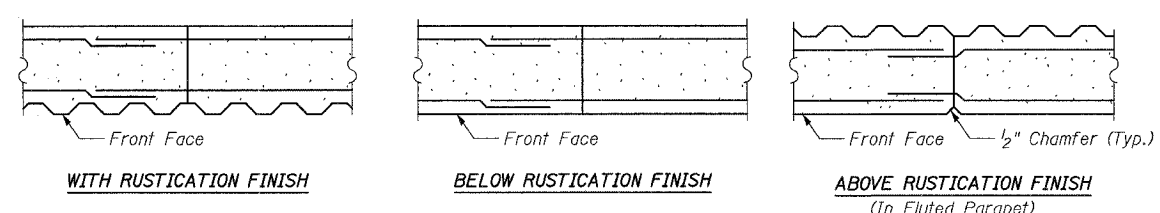
DETAIL 1



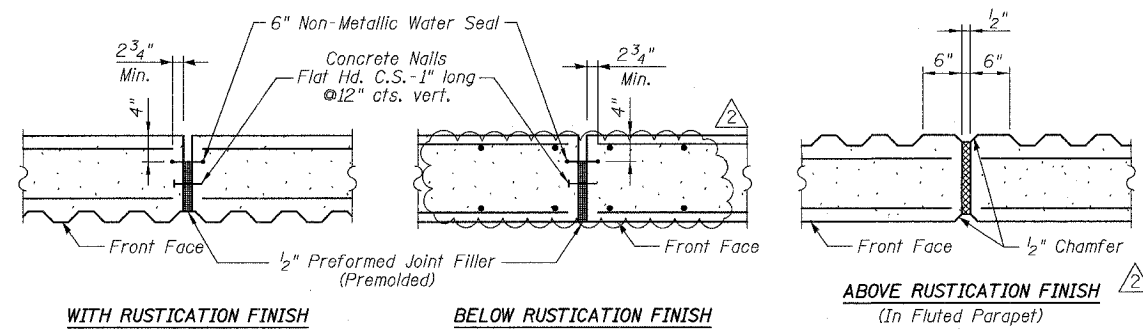
DETAIL 2



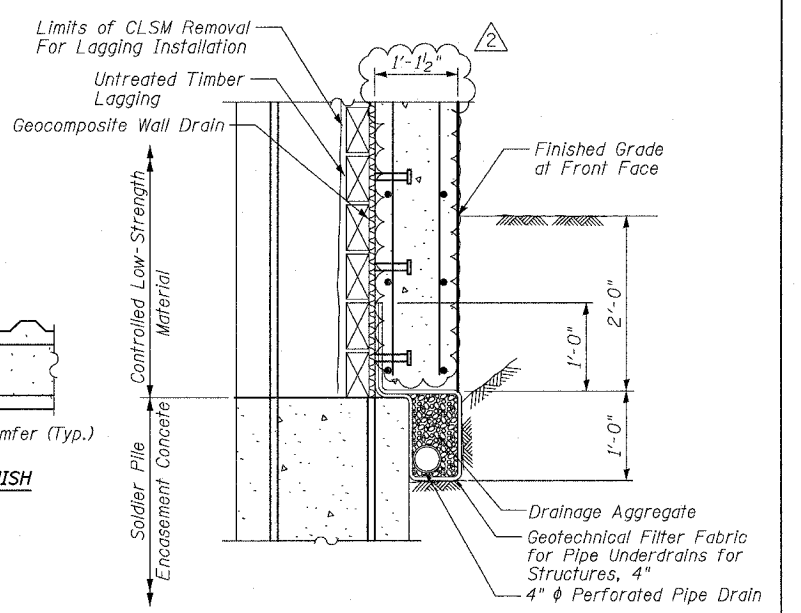
PIPE UNDERDRAIN DETAIL BETWEEN SOLDIER PILES



CONSTRUCTION JOINT DETAILS



EXPANSION JOINT DETAILS
Cost of P.J.F., Water Seal and Concrete Nails included with Concrete Structures.



PIPE UNDERDRAIN DETAIL AT SOLDIER PILES

SHEET 7 OF 9

REVISIONS	
NAME	DATE
REVISED	06/21/06
ADDENDUM 2	8/04/06

ILLINOIS DEPARTMENT OF TRANSPORTATION
F.A.I. 94/90 (DAN RYAN EXPRESSWAY)
GARFIELD BLVD TO 31ST STREET (SB LOCAL LANES)
RETAINING WALL S-43N-F
MISCELLANEOUS DETAILS
SCALE: NTS
DATE: JUNE 9, 2006
DRAWN BY: MTR
CHECKED BY: BLU

BOWMAN, BARRETT & ASSOCIATES INC.
CONSULTING ENGINEERS
Chicago, Illinois
312.228.0100
www.bbainc.com

8/2/2006 2:44:45 PM