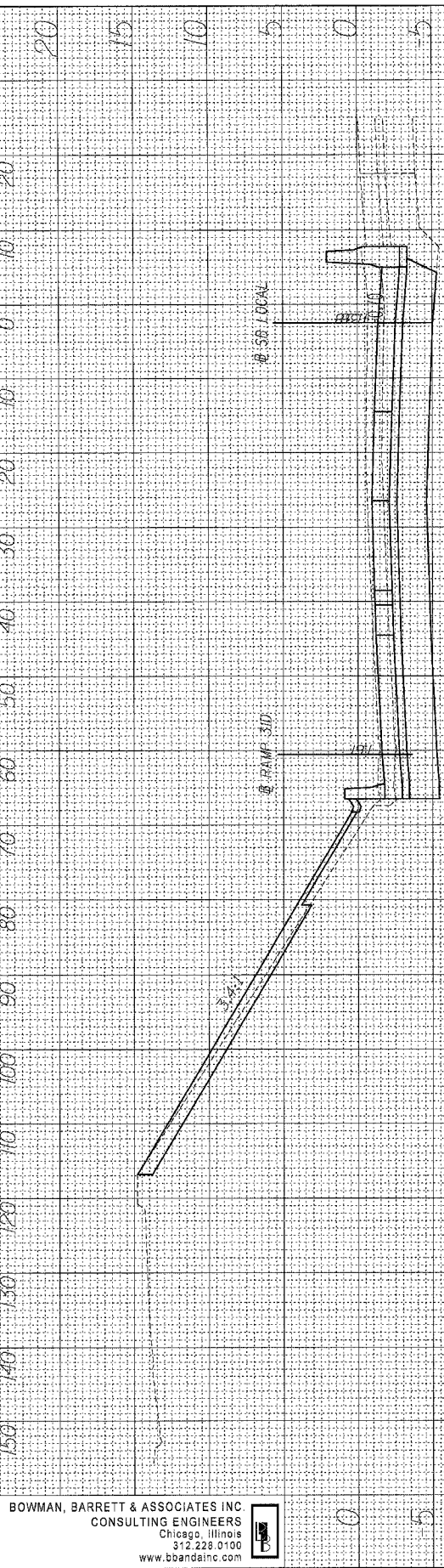
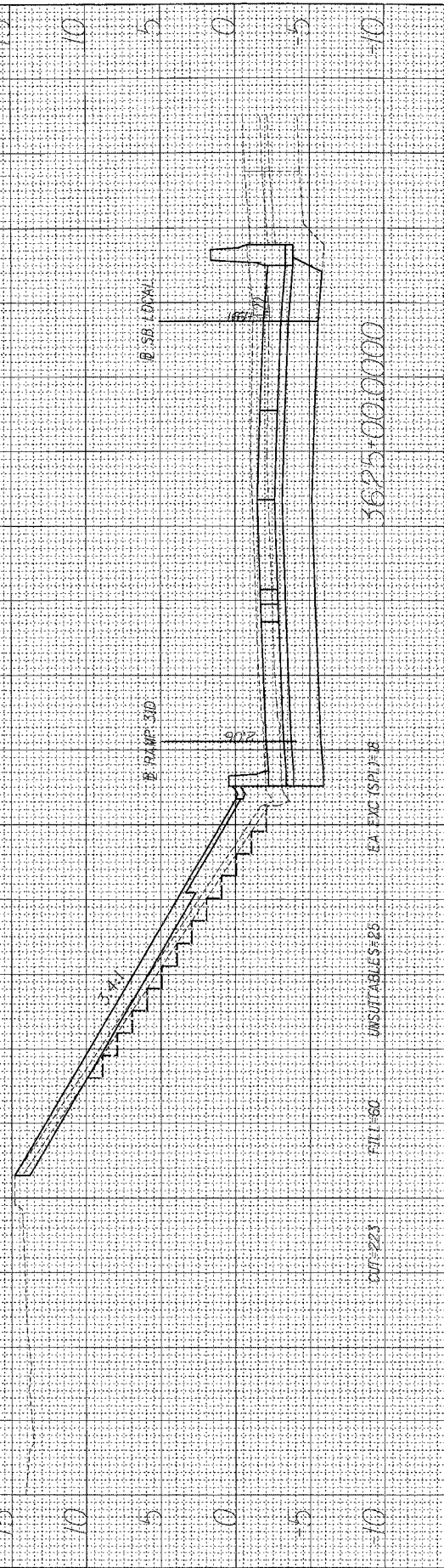


FINAL SURVEY
 CHECKED
 PLOTTED
 TEMPLATE
 AREAS
 CHECKED

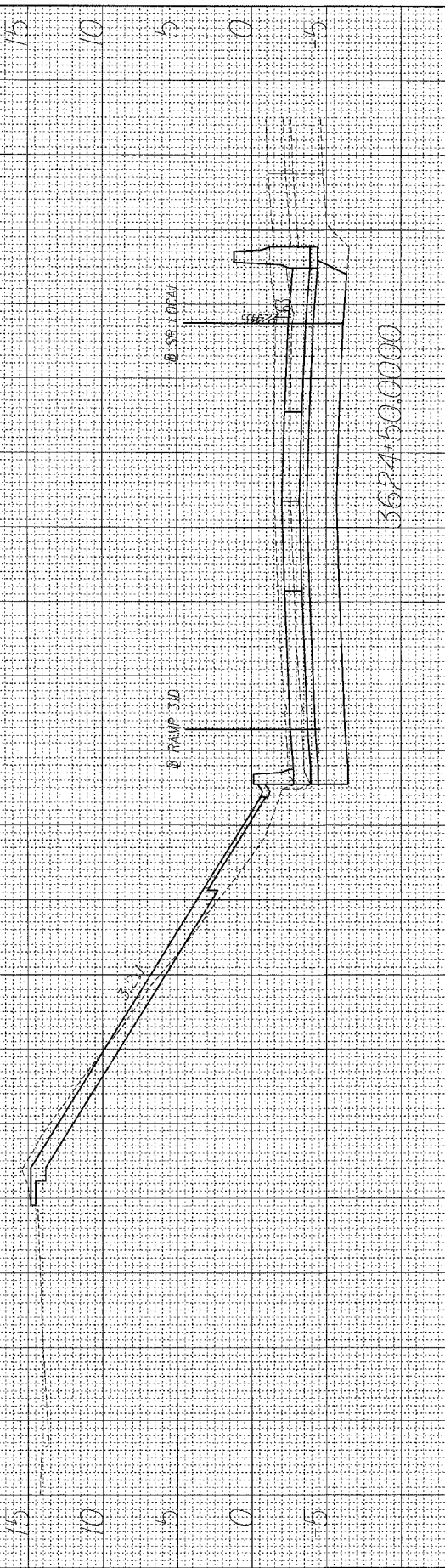
ORIGINAL SURVEY
 CHECKED
 PLOTTED
 TEMPLATE
 AREAS
 CHECKED



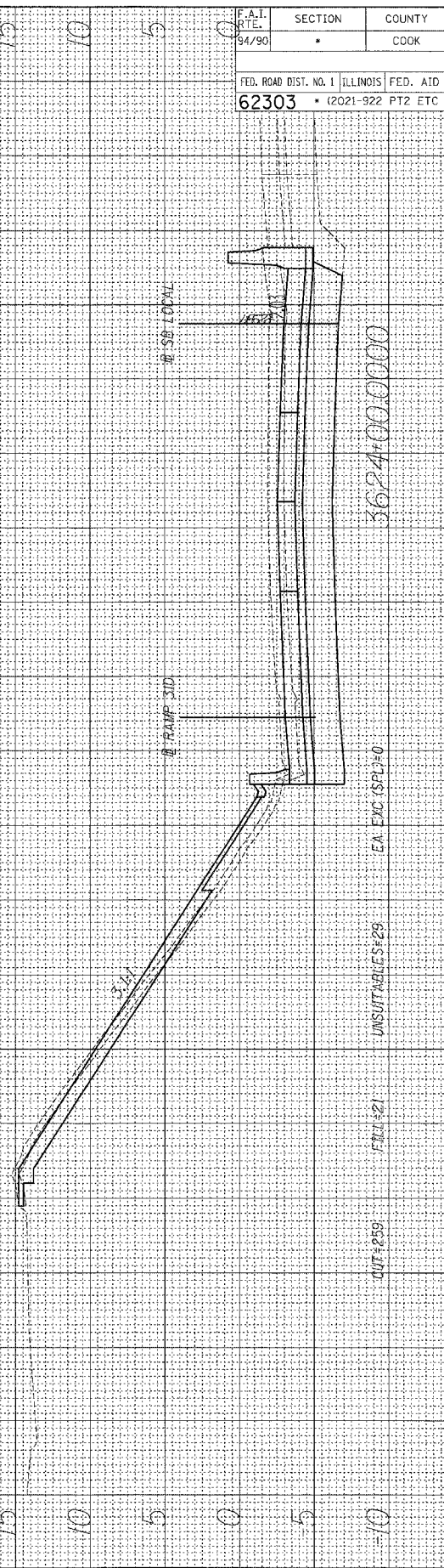
3625+50.0000



3625+00.0000



3624+50.0000



3624+00.0000

BOWMAN, BARRETT & ASSOCIATES INC
 CONSULTING ENGINEERS
 Chicago, Illinois
 312.228.0100
 www.bbandainc.com

F.A.I. FILE NO.	SECTION	COUNTY	TOTAL SHEETS	SHEET NO.
94/90	*	COOK	588	557H
FED. ROAD DIST. NO. 1 ILLINOIS FED. AID PROJECT				
62303 * (2021-922 PT2 ETC 2324.6-1PIR-11				

8/17/2006 6:53:33 PM