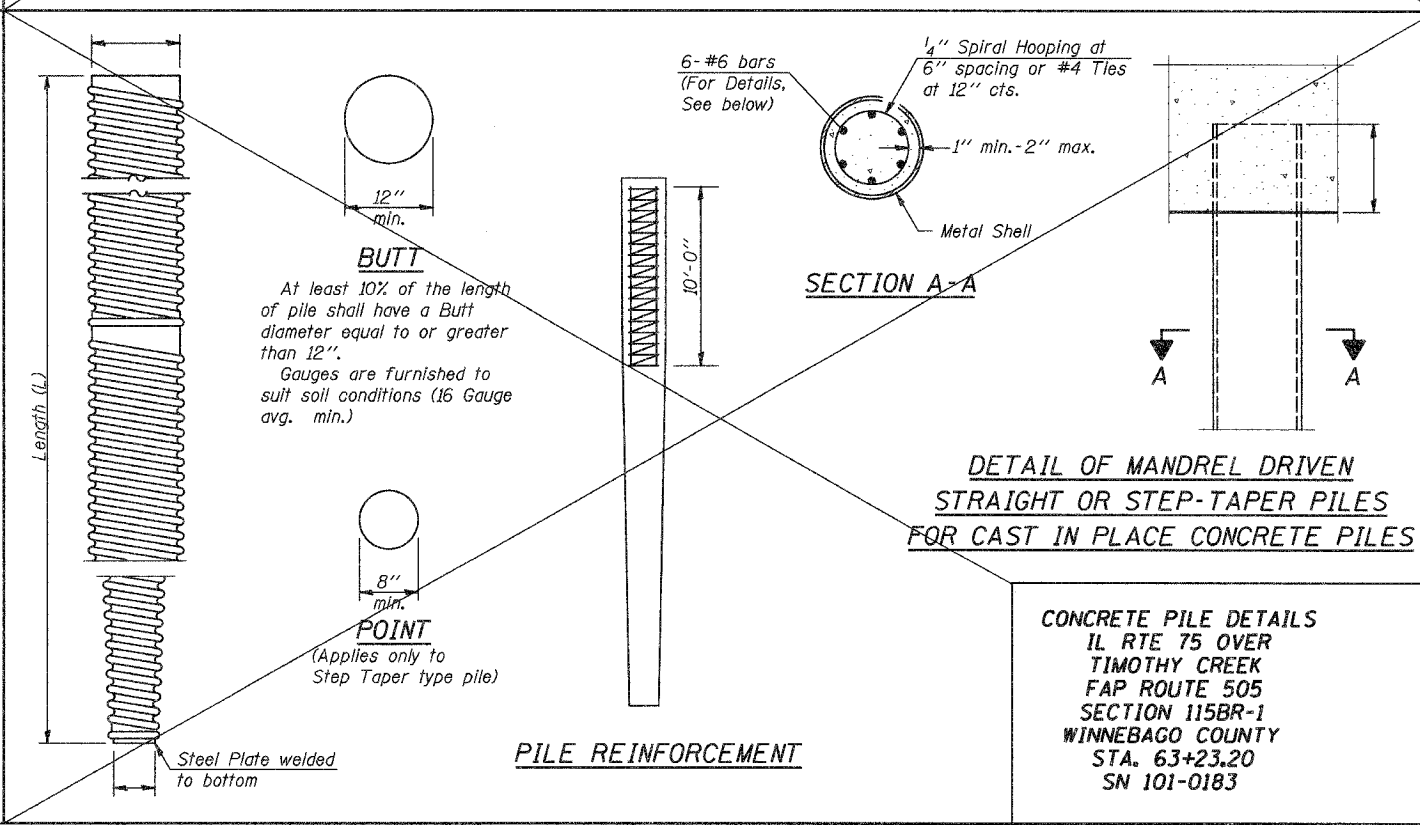
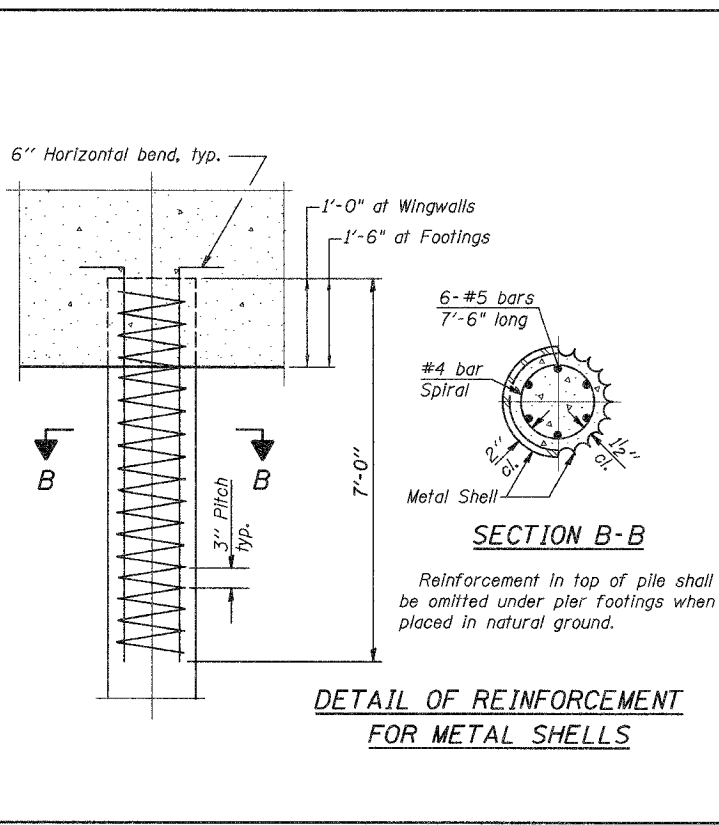
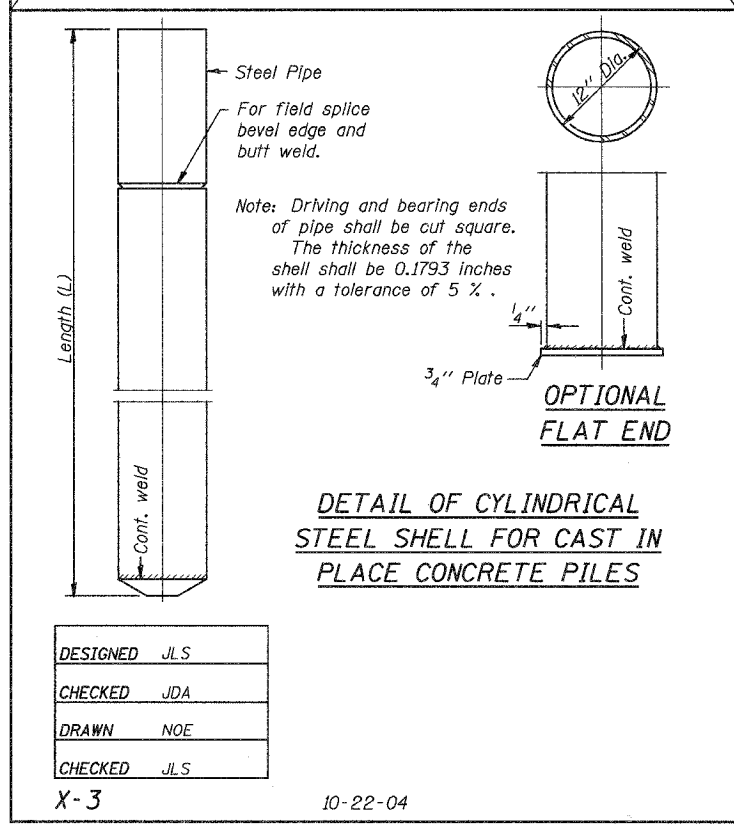
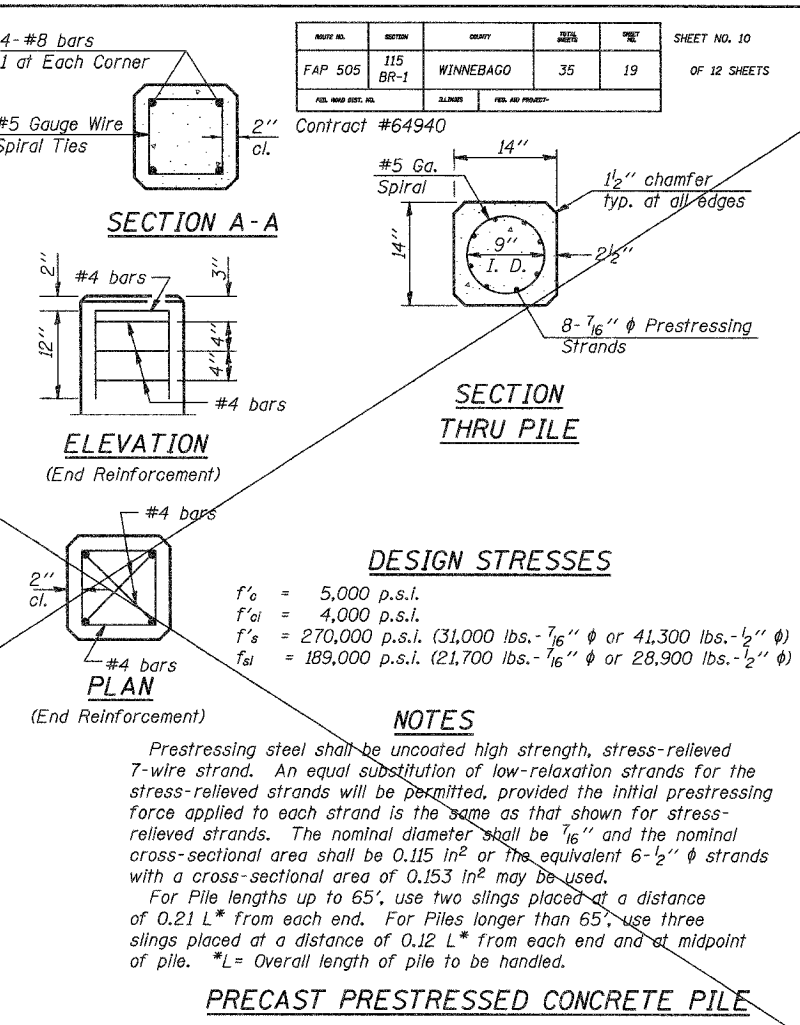
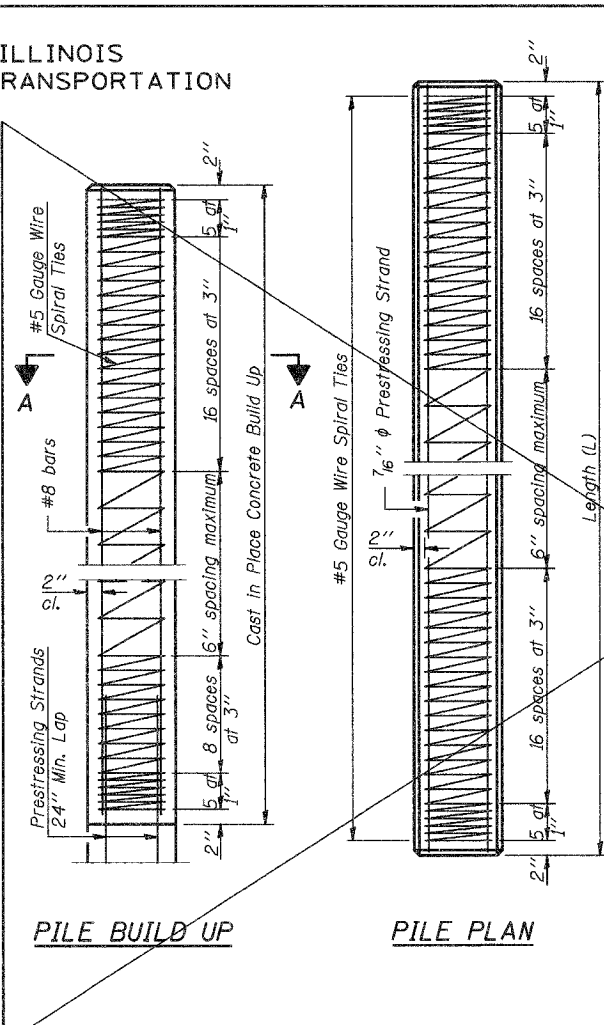
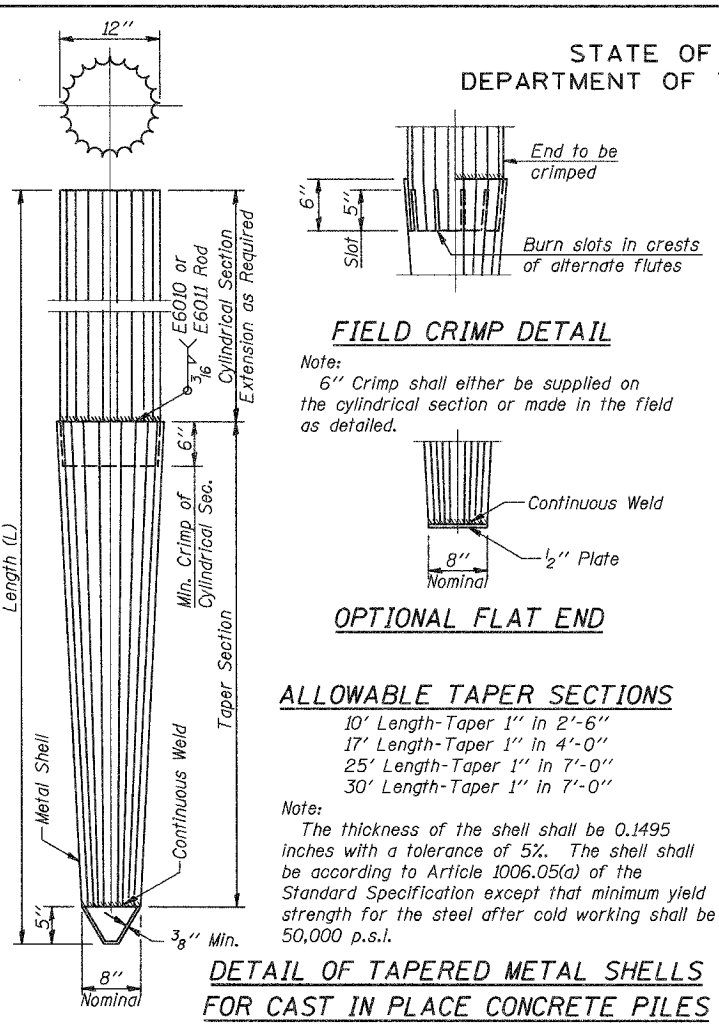
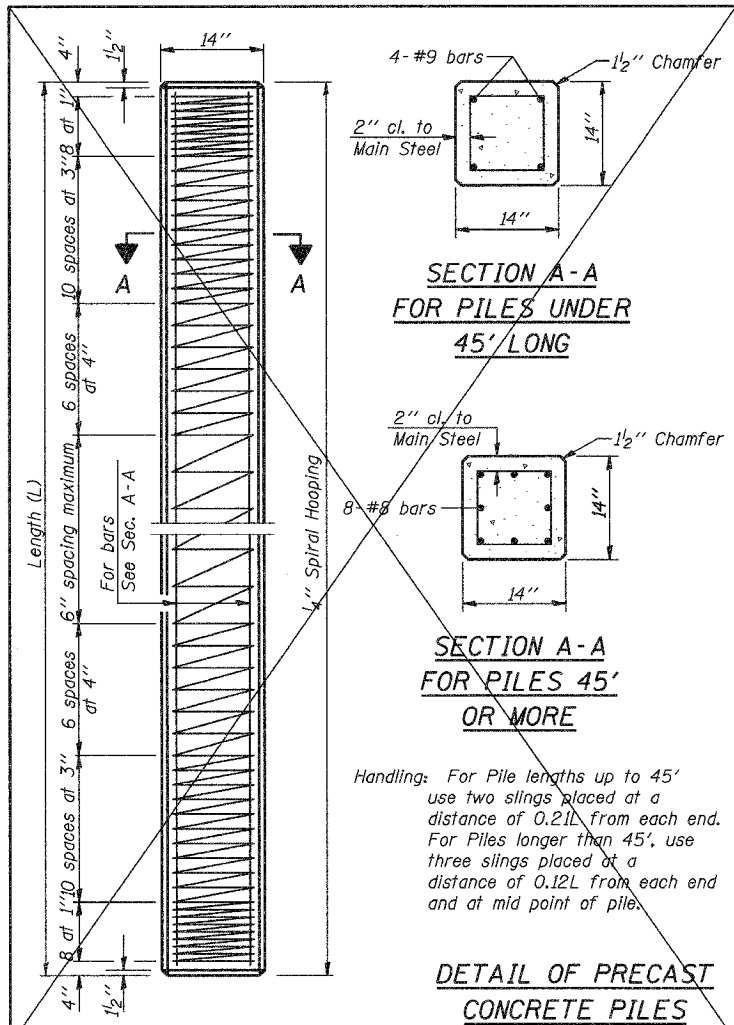


STATE OF ILLINOIS
DEPARTMENT OF TRANSPORTATION

ROUTE NO.	SECTION	COUNT	DATE	SHEET NO.
FAP 505	115 BR-1	WINNEBAGO	35	19
FAP ROAD DIST. NO.		DRAWN BY		DATE
		FEL AND PROJECT		

SHEET NO. 19
OF 12 SHEETS

Contract #64940



DESIGNED	JLS
CHECKED	JDA
DRAWN	NOE
CHECKED	JLS

CONCRETE PILE DETAILS
IL RTE 75 OVER
TIMOTHY CREEK
FAP ROUTE 505
SECTION 115BR-1
WINNEBAGO COUNTY
STA. 63+23.20
SN 101-0183