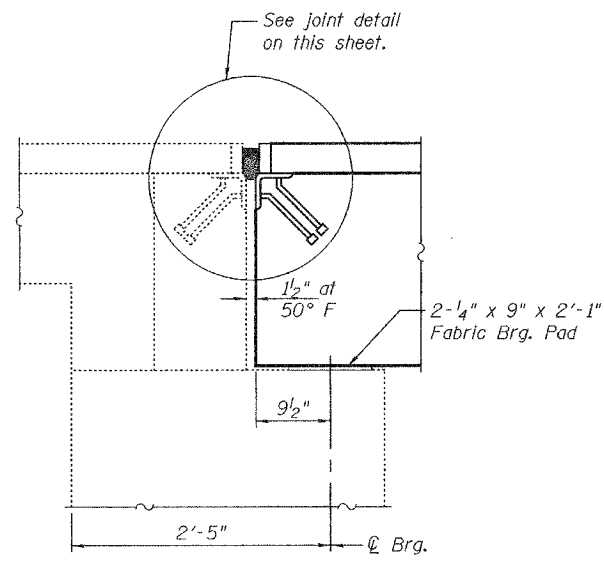


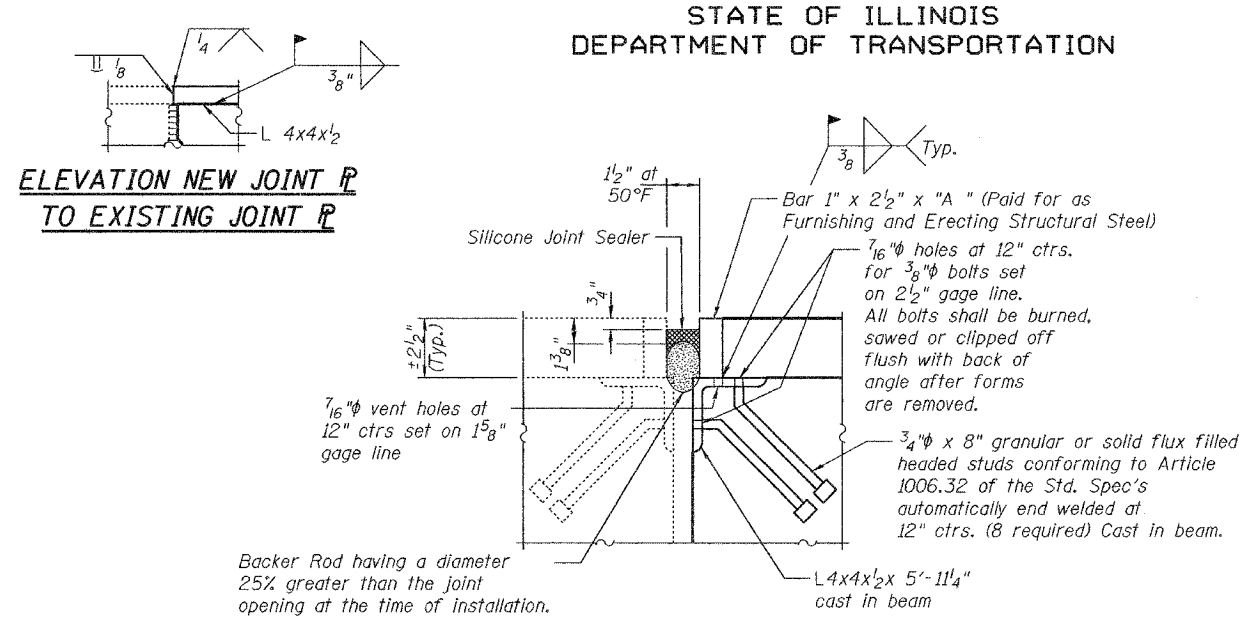
STATE OF ILLINOIS  
DEPARTMENT OF TRANSPORTATION

ROUTE NO.	SECTION	COUNTY	TOTAL SHEETS	SHEET NO.
		Whiteside	9	3
FED. ROAD DIST. NO. 7 ILLINOIS FED. AID PROJECT				

Contract Number: 64C67

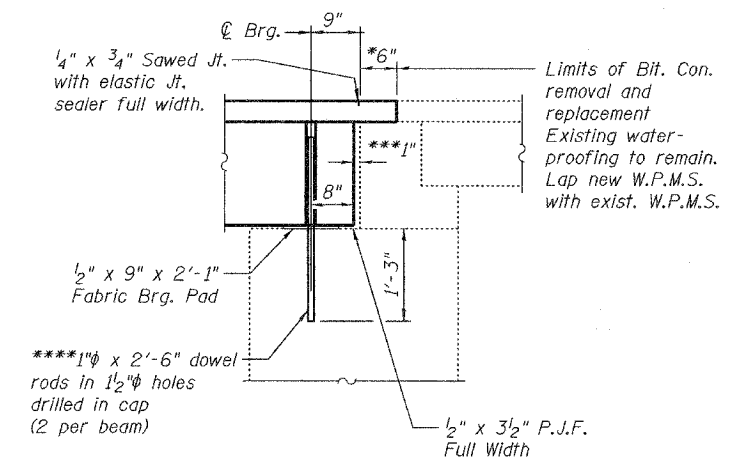


**TYPICAL NORTH ABUTMENT SECTION**  
(Dimensions at Rt. L's)



**WEST ABUTMENT JOINT DETAIL**  
(Cost included with PPC Deck Beams, except as noted)

Beam	Length "A"
2 - 4	18'-4"
8	6'-1 1/4"

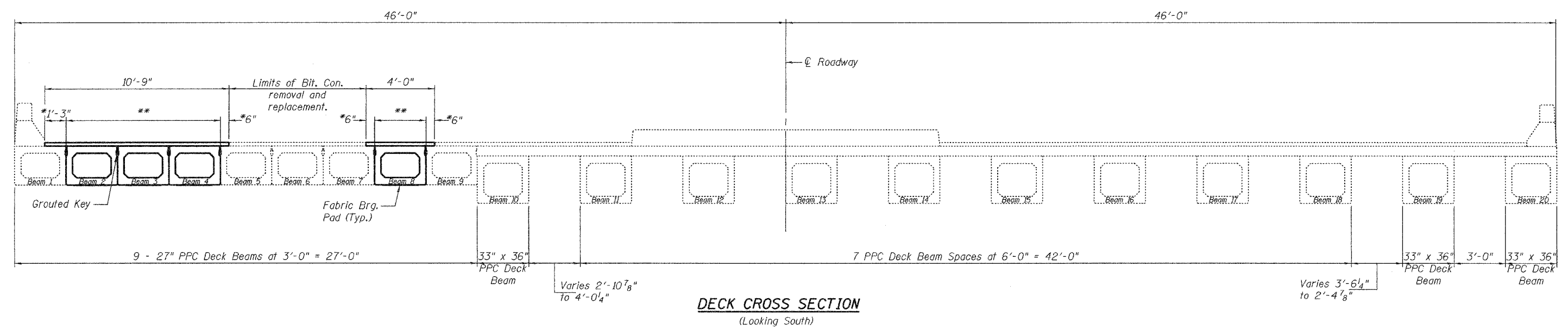


**TYPICAL SOUTH ABUTMENT SECTION**  
(Dimensions at Rt. L's)

\*Limits of existing waterproofing to remain. The bituminous concrete removal in these areas shall be paid for as Bituminous Concrete Surface Removal.  
\*\*Cost of removal in these areas is included with Removal of Existing PPC Deck Beams.

\*\*\*\*Existing dowel rods are to be burned off, ground flush, and sealed with epoxy prior to placement of new beams. Cost included in Removal of Existing PPC Deck Beams. After beams have been erected holes shall be drilled into cap and dowel rods placed. Dowel holes shall be filled with non-shrink grout to top of beam and allowed to cure a minimum of 24 hours prior to grouting the shear keys.

\*\*\*Existing joint filler to be removed. Cost included with removal of PPC deck beams. 1" Joint shall be filled with non-shrink grout. Dimension may vary to accommodate tolerance in beam lengths.



**DECK CROSS SECTION**  
(Looking South)

DESIGNED	S.J.B.	EXAMINED	August 3, 2006
CHECKED	P.S.J.	EXAMINED	John A. Morris ENGINEER OF STRUCTURAL SERVICES
DRAWN	Drew Christopher	PASSED	Ralph E. Anderson ENGINEER OF BRIDGES AND STRUCTURES
CHECKED	S.J.B. P.S.J.		

**JOINT AND DECK DETAILS**  
**IL 40 / HENNEPIN CANAL**  
**FEEDER CANAL BRIDGE 45**  
**WHITESIDE COUNTY**  
**SN 098-0015**