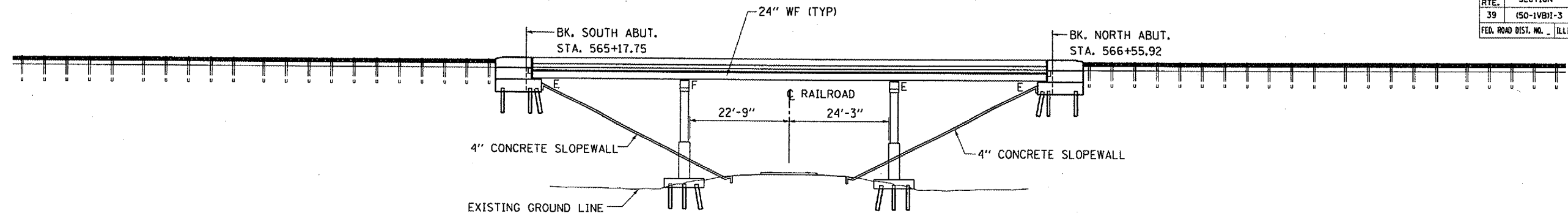
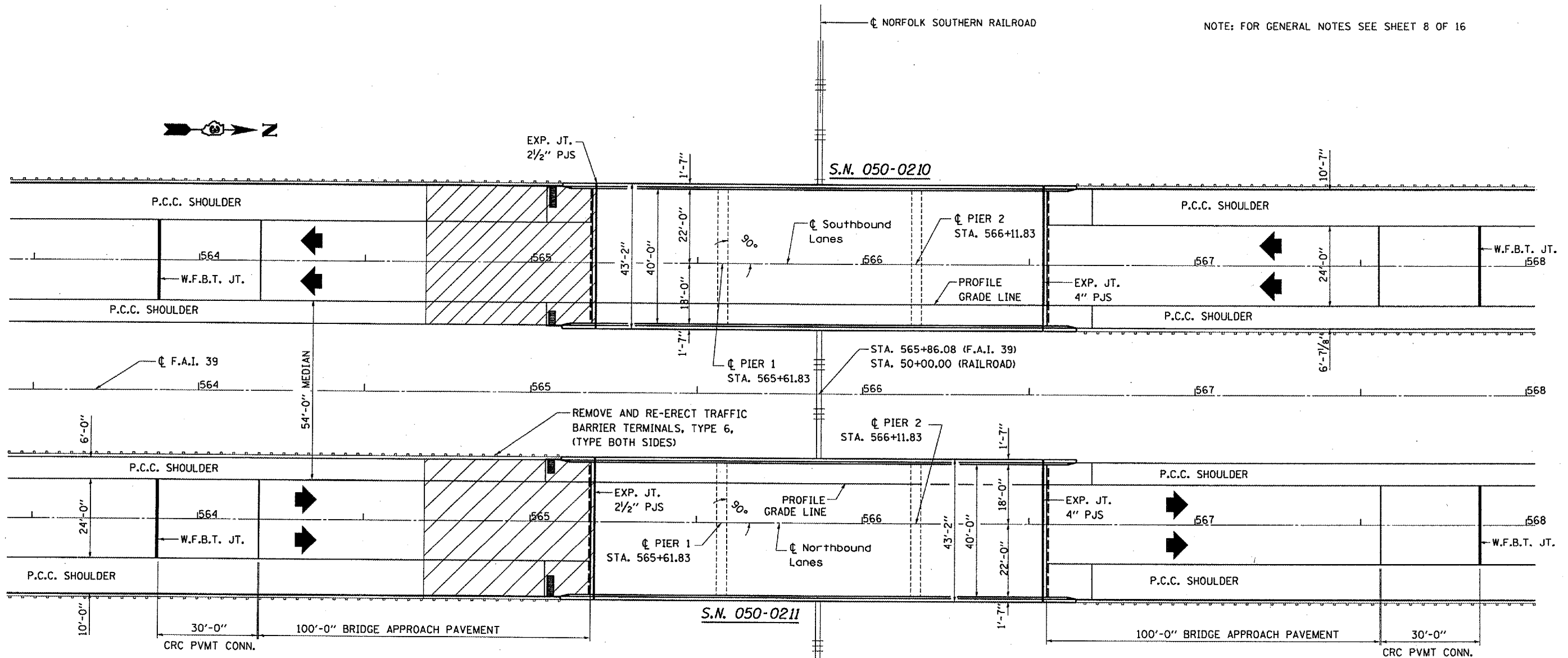


F.A.I. RTE.	SECTION	COUNTY	TOTAL SHEETS	SHEET NO.
39	(50-1VB)1-3	LASALLE	16	6
FED. ROAD DIST. NO. ILLINOIS			NON-FED. AID PROJECT	



NOTE: FOR GENERAL NOTES SEE SHEET 8 OF 16



REVISIONS	
NAME	DATE

ILLINOIS DEPARTMENT OF TRANSPORTATION  
**GENERAL PLAN & ELEVATION**  
 F.A.I. ROUTE 39 OVER NORFOLK SOUTHERN RAILROAD  
 F.A.I. ROUTE 39 SECTION: (50-1VB)1-3  
 LASALLE COUNTY  
 STA. 565 + 86.08

Date: 05/08/2006  
 File: c:\p\proj\ecr\ecr\m07\cm303\del\el1.s.dgn