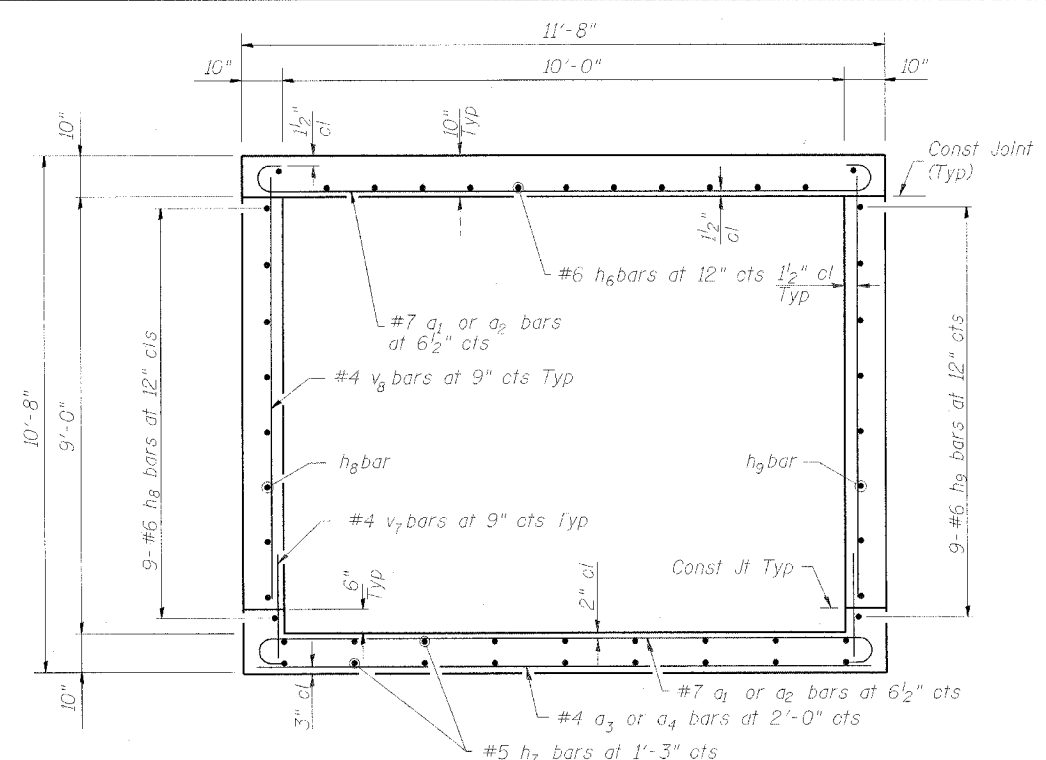


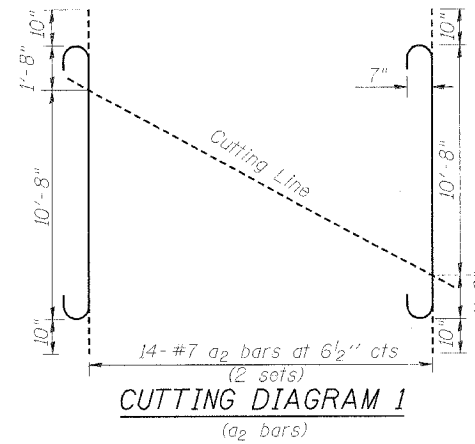
FAS RTE	SECTION	COUNTY	TOTAL SHEETS	SHEET NO
1379	(108B-1) BR	STARK	43	17
STA	51+30.00	TO STA	51+30.00	
ILLINOIS		IL RTE 91		

SHEET 3
OF 4

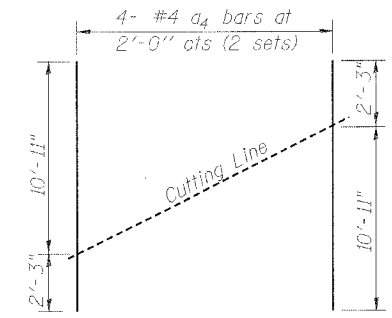
STATE OF ILLINOIS
DEPARTMENT OF TRANSPORTATION



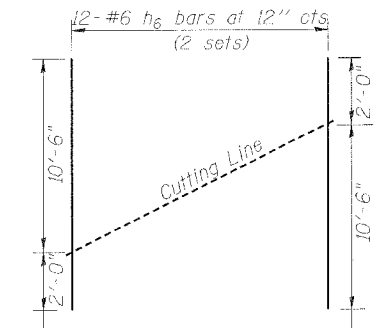
SECTION A-A/B-B



CUTTING DIAGRAM 1
(a2 bars)

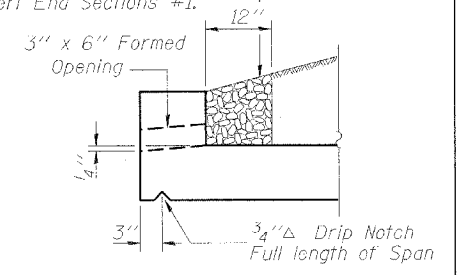


CUTTING DIAGRAM 2
(a4 bars)

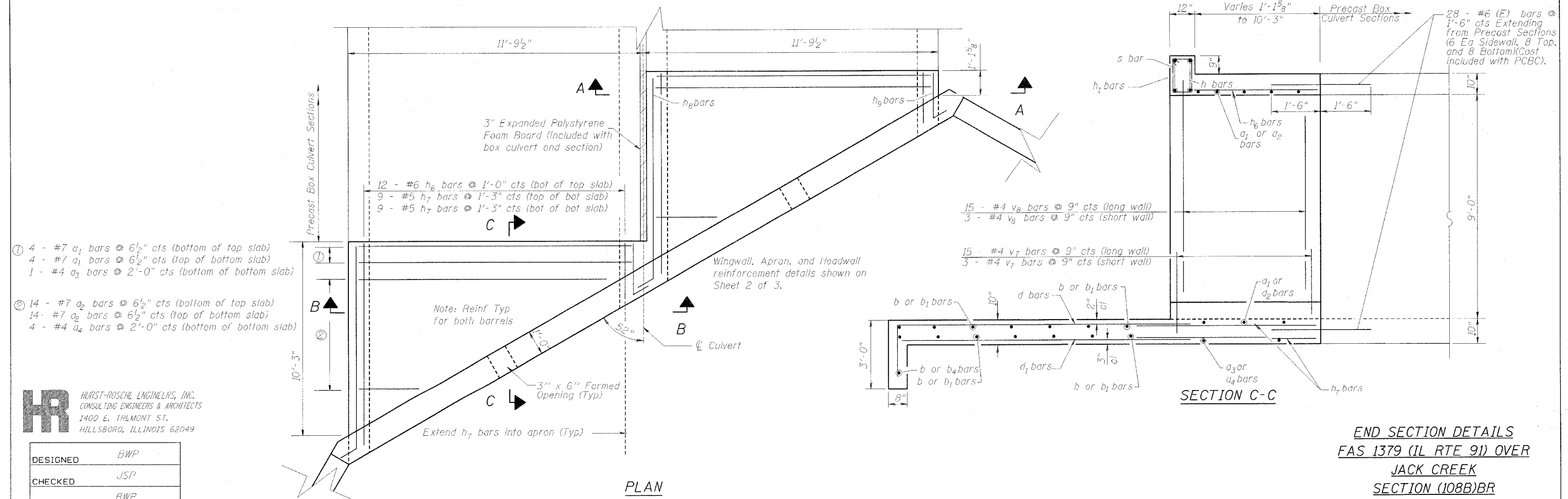


CUTTING DIAGRAM 3
(h6 bars)

Coarse aggregate full length of both headwalls. To be placed by Grading Contractor. Cost included with Box Culvert End Sections #1.



DRAIN DETAIL



PLAN

SECTION C-C

END SECTION DETAILS
FAS 1379 (IL RTE 91) OVER
JACK CREEK
SECTION (108B)BR
STARK COUNTY STA 51+30.00
SN 088-2004

HR HURST-ROSCH ENGINEERS, INC.
CONSULTING ENGINEERS & ARCHITECTS
1400 E. TREMONT ST.
HILLSBORO, ILLINOIS 62049

DESIGNED	BWP
CHECKED	JSP
DRAWN	BWP
CHECKED	JSP