

STATE OF ILLINOIS
DEPARTMENT OF TRANSPORTATION

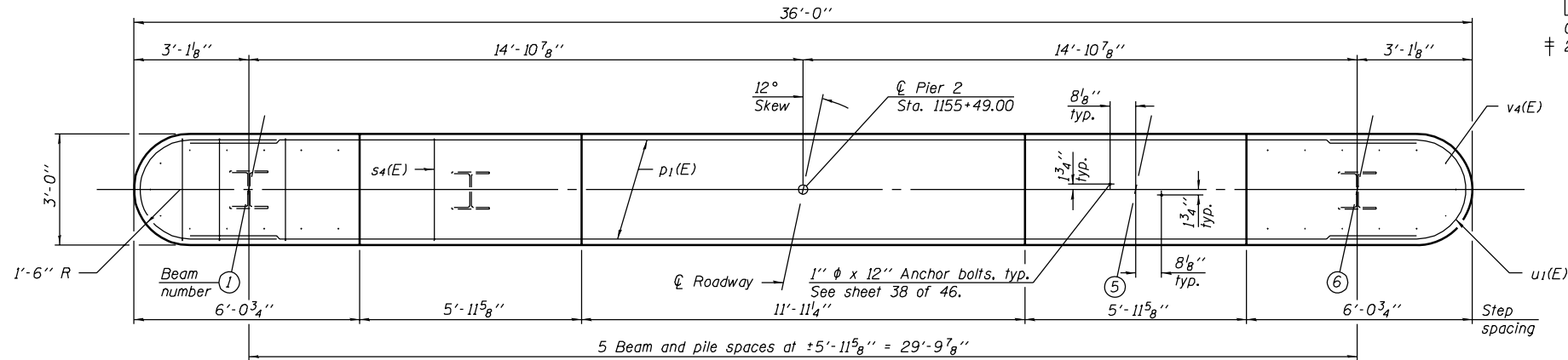
ROUTE NO.	SECTION	COUNTY	TOTAL SHEETS	SHEET NO.
F.A.S. 1671	‡	DOUGLAS	181	126
FED. ROAD DIST. NO. 7	ILLINOIS	FED. AID PROJECT		

SHEET NO. 42
46 SHEETS

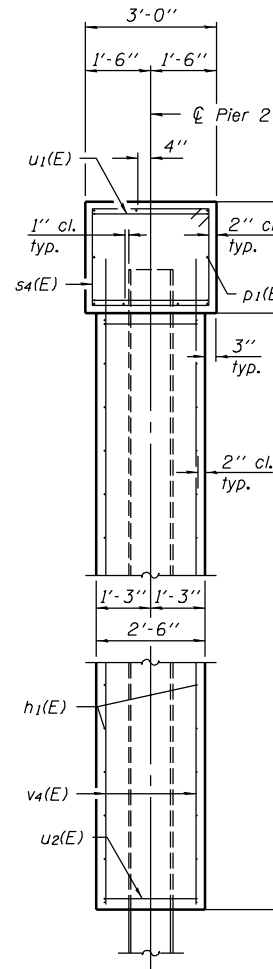
Note:
Four steps monolithically with cap.

PILE DATA

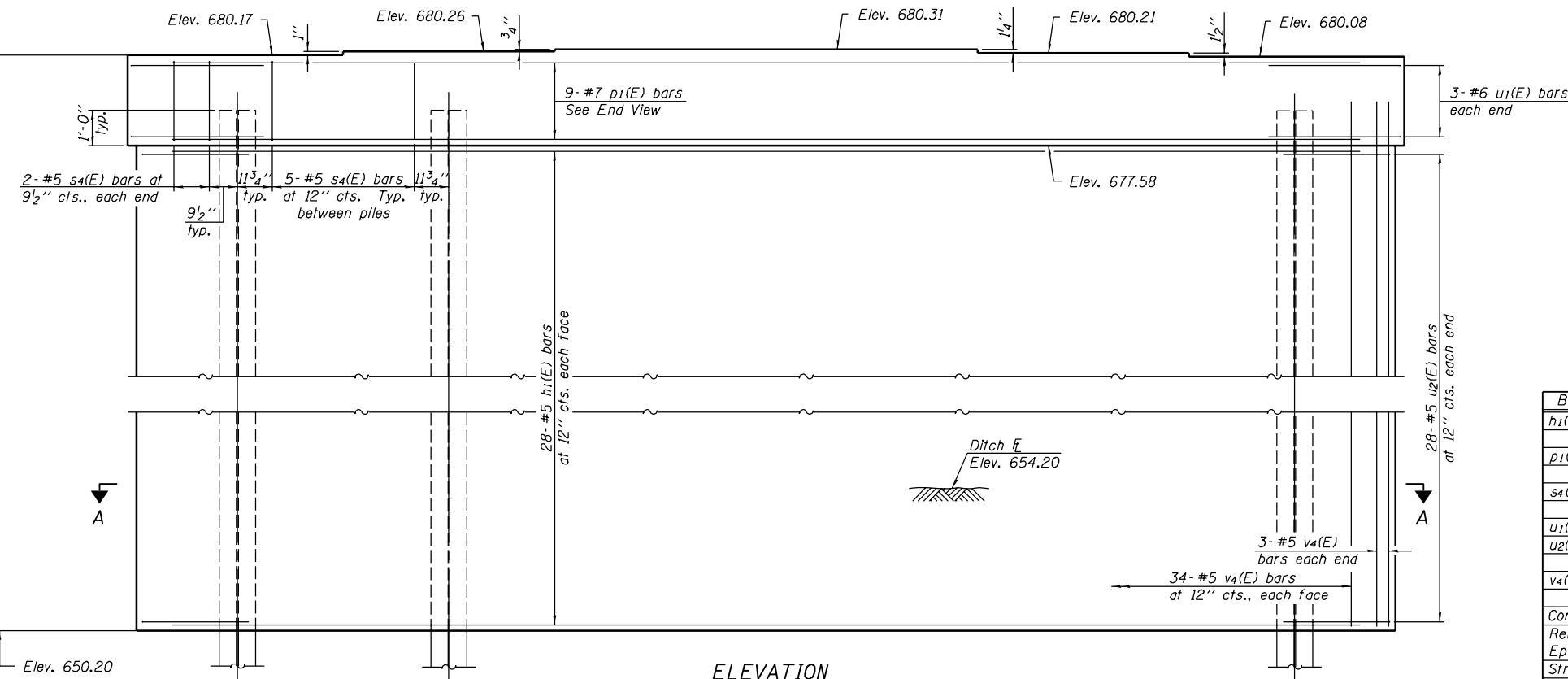
Type: HP 12x74
Design Capacity: 95.0 Tons
Required Bearing: 142.5 Tons
Est. Length: 73'
No. Req'd: 5 + 1 test pile



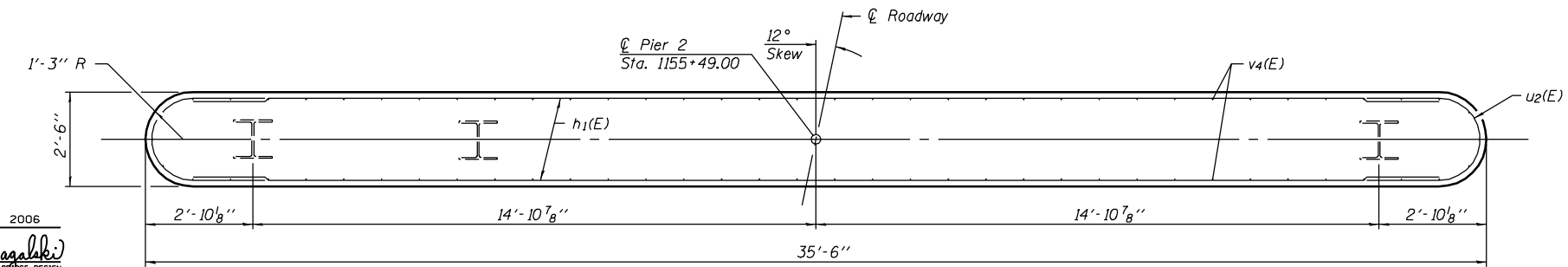
TOP PLAN



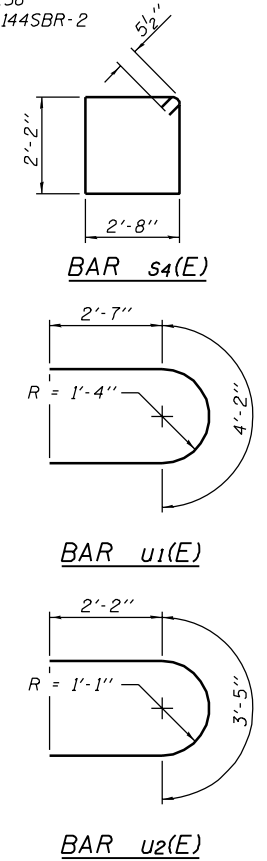
END VIEW



ELEVATION



SECTION A-A



BILL OF MATERIAL

Bar	No.	Size	Length	Shape
h1(E)	56	#5	33'-0"	—
p1(E)	9	#7	33'-0"	—
s4(E)	29	#5	10'-7"	□
u1(E)	6	#6	9'-4"	—
u2(E)	56	#5	7'-9"	—
v4(E)	74	#5	29'-0"	—
Concrete Structures		Cu. Yd.	99.1	
Reinforcement Bars, Epoxy Coated		Pound	5630	
Structure Excavation		Cu. Yd.	38	
Furnishing Steel Piles HP 12x74		Foot	365	
Driving Steel Piles		Foot	365	
Test Pile Steel HP 12x74		Each	1	

Reinforcement Bars designated (E) shall be epoxy coated.

PIER 2
F.A.S. RT. 1671 - SEC. 22VBR-1
DOUGLAS COUNTY
STATION 1154+99.02
STRUCTURE NO. 021-0060

DESIGNED	Curt M. Evoy
CHECKED	Rebecca L. Tharp
DRAWN	Michael B. Mossman
CHECKED	C.M.E. / R.L.T.

August 4, 2006
EXAMINED *Thomas J. Domagala*
PASSED *Ralph E. Anderson*
ENGINEER OF BRIDGES AND STRUCTURES