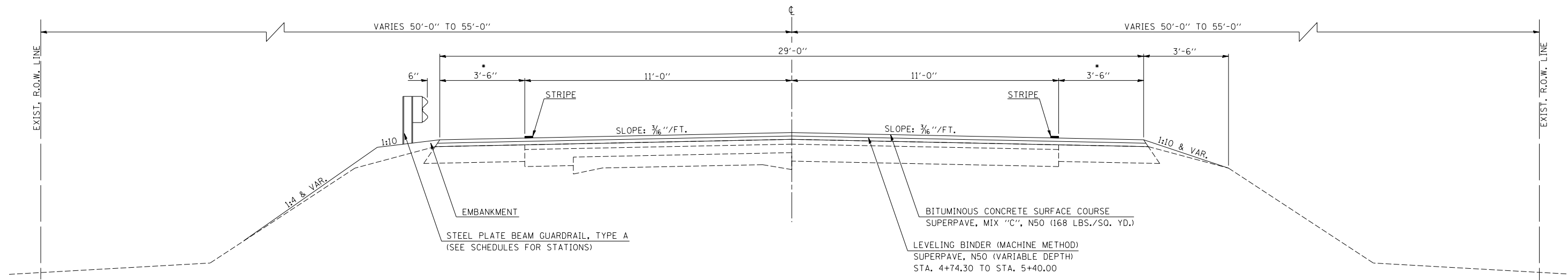


F.A.S. RTE.	SECTION	COUNTY	TOTAL SHEETS	SHEET NO.
516	241BR & 56BR	CHAMPAIGN	82	10
STA.		TO STA.		
FED. ROAD DIST. NO.	ILLINOIS	FED. AID PROJECT		

PROPOSED TYPICAL CROSS SECTION ③

PROPOSED S.N. 010-0221

① STATION 4+74.30 TO STATION 6+00.00



• NOTE: THE SHOULDER SHALL BE RESURFACED SIMULTANEOUSLY WITH THE MAINLINE

PLOT DATE = 7/6/2006
 FILE NAME = G:\projects\050304 (v8)\0221\typical.dgn
 USER NAME = pier.sombir

ILLINOIS DEPARTMENT OF TRANSPORTATION
 PROPOSED TYPICAL CROSS SECTIONS
 PROPOSED S.N. 010-0221
 F.A.S. 516/C.H. 12)
 SECTION 241BR & 56BR
 CHAMPAIGN COUNTY
 SCALE: NOT TO SCALE
 DATE: 05/12/06
 DRAWN BY: B.B.P.
 CHECKED BY: G.A.E.