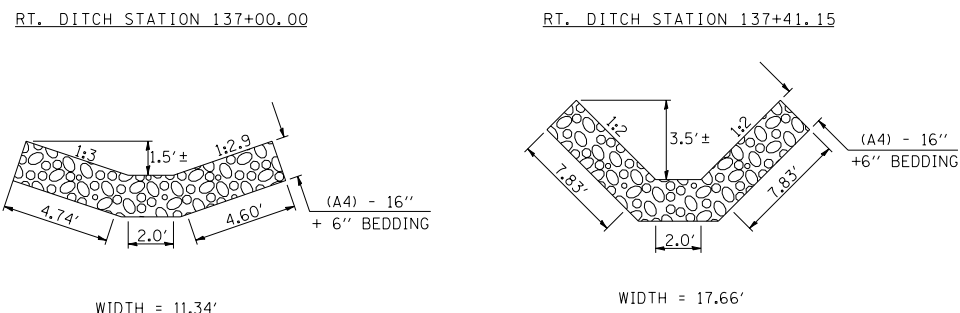


RIPRAP – DETAILS, PAY LIMITS AND QUANTITIES

PROPOSED S.N. 010-2028

F.A.S. RTE.	SECTION	COUNTY	TOTAL SHEETS	SHEET NO.
516	241BR & 56BR	CHAMPAIGN	82	51
STA.		TO STA.		
FED. ROAD DIST. NO.		ILLINOIS	FED. AID PROJECT	

RT. DITCH STATION 137+00.00 TO 137+41.15

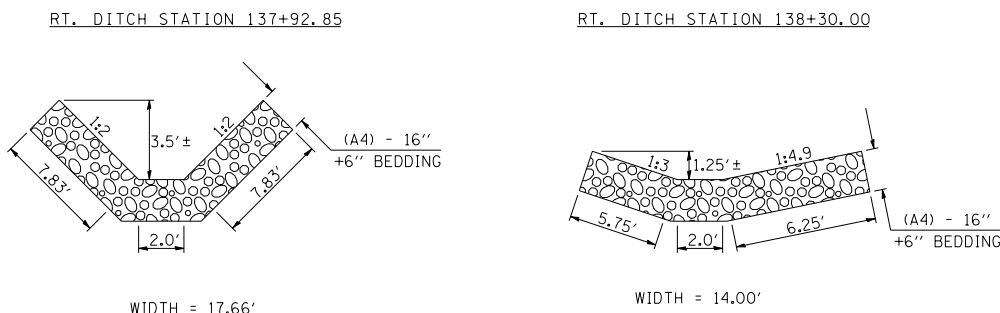


TRANSITION CHANNEL GEOMETRY BETWEEN
RT. STA. 137+00.00 & RT. STA. 137+41.15

STONE RIPRAP, CLASS A4

STATION	TO	STATION	LENGTH (FT)	AVERAGE WIDTH (FT)	AREA (SQ YD)
137+00.00		137+41.15	41.15	14.50	66.30
WINGWALL			10.50	3.91	4.56
STREAM BACKSLOPE			11.50	7.83	10.01
TOTAL			=		80.87 SQ YD

RT. DITCH STATION 137+92.85 TO 138+30.00

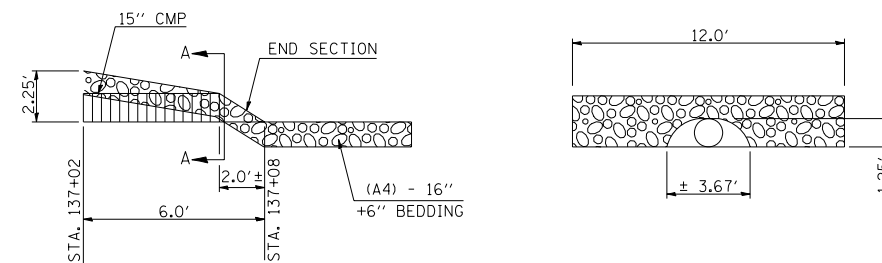


TRANSITION CHANNEL GEOMETRY BETWEEN
RT. STA. 137+92.85 & RT. STA. 138+30.00

STONE RIPRAP, CLASS A4

STATION	TO	STATION	LENGTH (FT)	AVERAGE WIDTH (FT)	AREA (SQ YD)
137+92.85		138+30.00	37.15	15.83	65.34
WINGWALL			10.50	3.91	4.56
STREAM BACKSLOPE			11.50	7.83	10.01
TOTAL			=		79.91 SQ YD

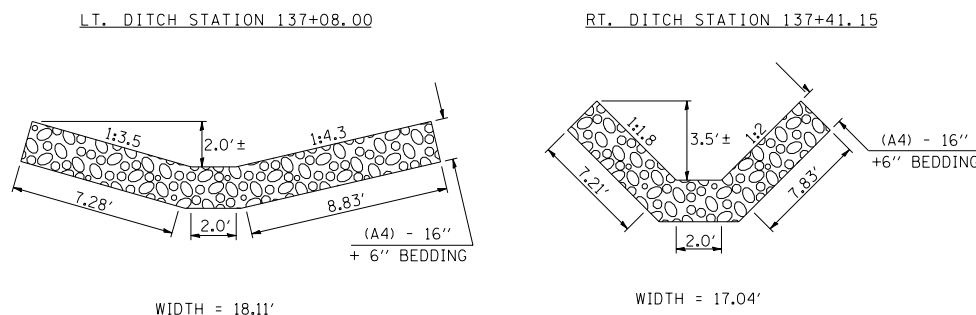
EROSION CONTROL AT ENTRANCE CULVERT LT. STA. 136+06.00



ENTRANCE CULVERT

SECTION A-A

LT. DITCH STATION 137+02.00 TO 137+41.15

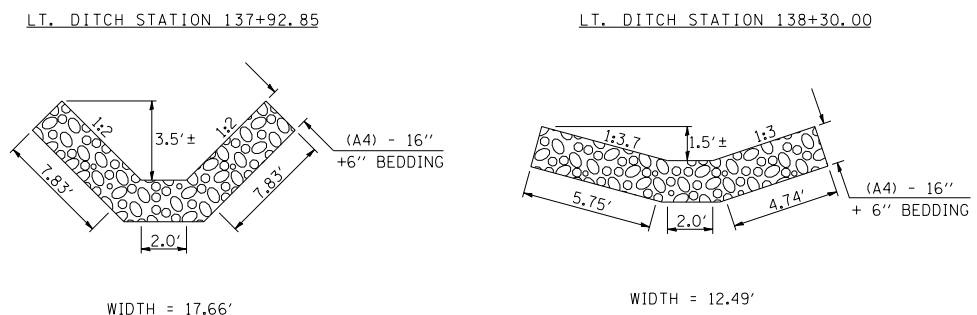


TRANSITION CHANNEL GEOMETRY BETWEEN
LT. STA. 137+02.00 & LT. STA. 137+41.15

STONE RIPRAP, CLASS A4

STATION	TO	STATION	LENGTH (FT)	AVERAGE WIDTH (FT)	AREA (SQ YD)
137+02.00		137+08.00	6.00	12.00	8.00
137+08.00		137+41.15	33.15	17.58	64.75
WINGWALL			10.50	3.91	4.56
STREAM BACKSLOPE			11.50	7.83	10.01
TOTAL			=		87.32 SQ YD

LT. DITCH STATION 137+92.85 TO 138+30.00

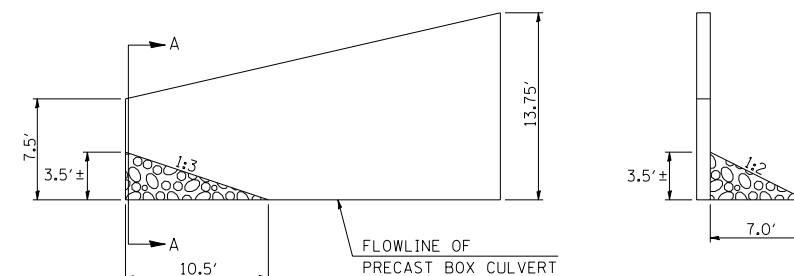


TRANSITION CHANNEL GEOMETRY BETWEEN
LT. STA. 137+92.85 & RT. STA. 138+30.00

STONE RIPRAP, CLASS A4

STATION	TO	STATION	LENGTH (FT)	AVERAGE WIDTH (FT)	AREA (SQ YD)
137+92.85		138+30.00	37.15	15.08	62.25
WINGWALL			10.50	3.91	4.56
STREAM BACKSLOPE			11.50	7.83	10.01
TOTAL			=		76.82 SQ YD

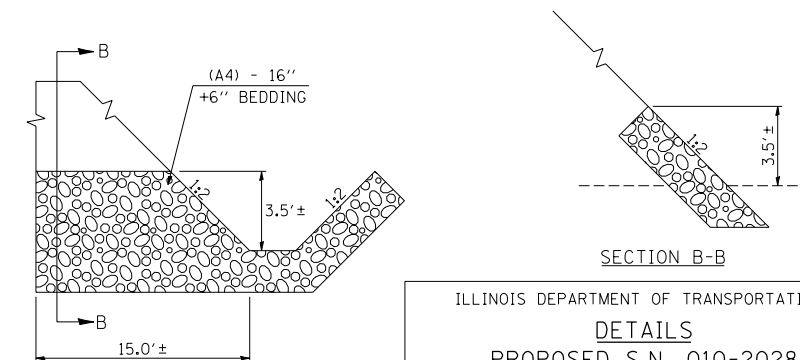
RIPRAP EROSION CONTROL AT WINGWALLS (TYPICAL)



WINGWALL (TYP.)

SECTION A-A

RIPRAP EROSION CONTROL AT STREAM BACKSLOPE (TYPICAL)



STREAM BACKSLOPE (TYP.)

SECTION B-B

ILLINOIS DEPARTMENT OF TRANSPORTATION
DETAILS
PROPOSED S.N. 010-2028
F.A.S. 516/(C.H. 12)
SECTION 241BR & 56BR
CHAMPAIGN COUNTY
SCALE: NOT TO SCALE
DATE: 05/15/06
DRAWN BY: B.B.P.
CHECKED BY: G.A.E.