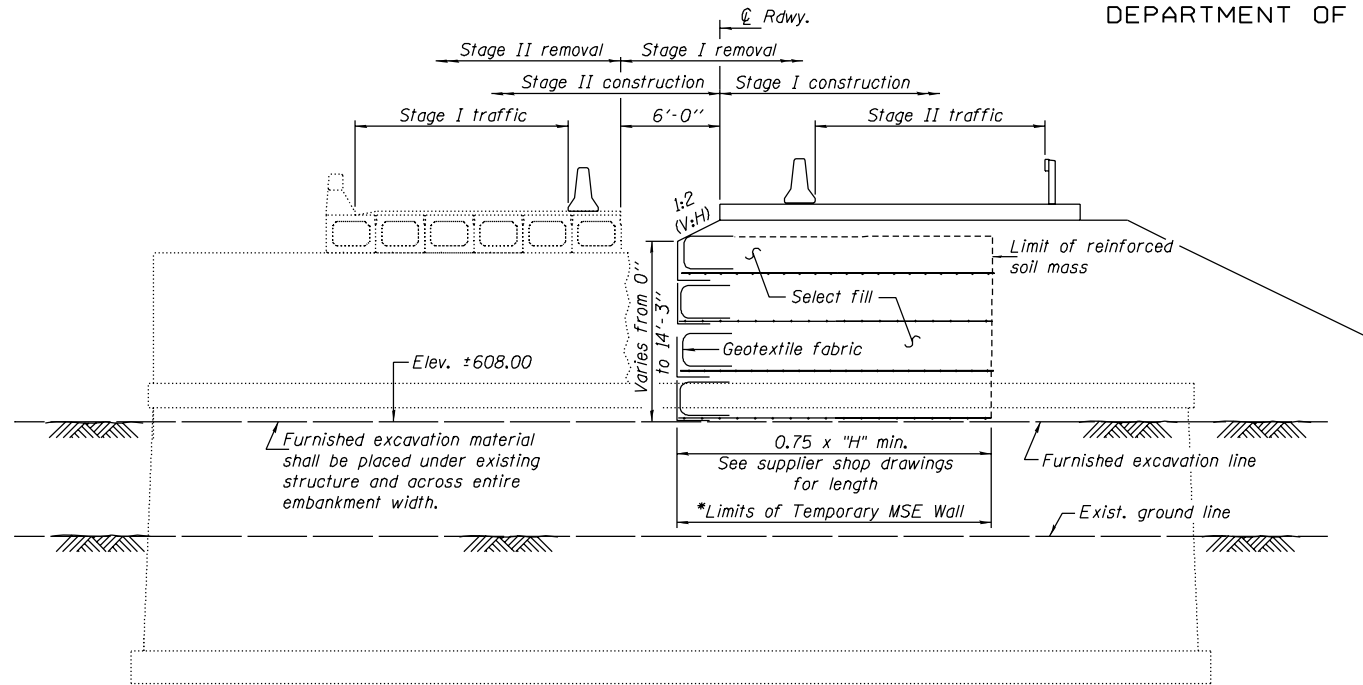


STATE OF ILLINOIS
DEPARTMENT OF TRANSPORTATION

ROUTE NO.	SECTION	COUNTY	TOTAL SHEETS	SHEET NO.
FAP 332	47BR-2	VERMILION	68	22
FED. ROAD DIST. NO. 7	ILLINOIS	FED. AID PROJECT-		

SHEET NO. 3
23 SHEETS

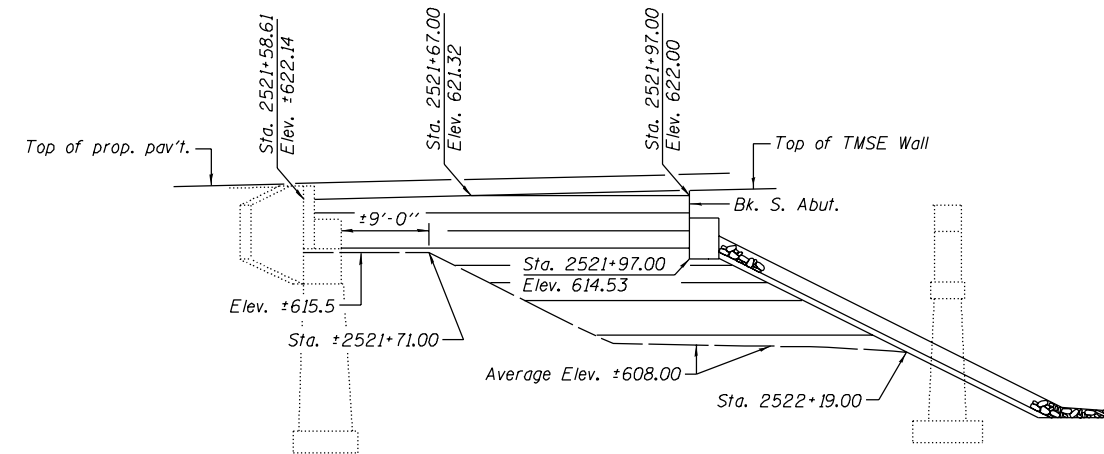
Contract #70420



TEMPORARY MSE WALL DETAIL

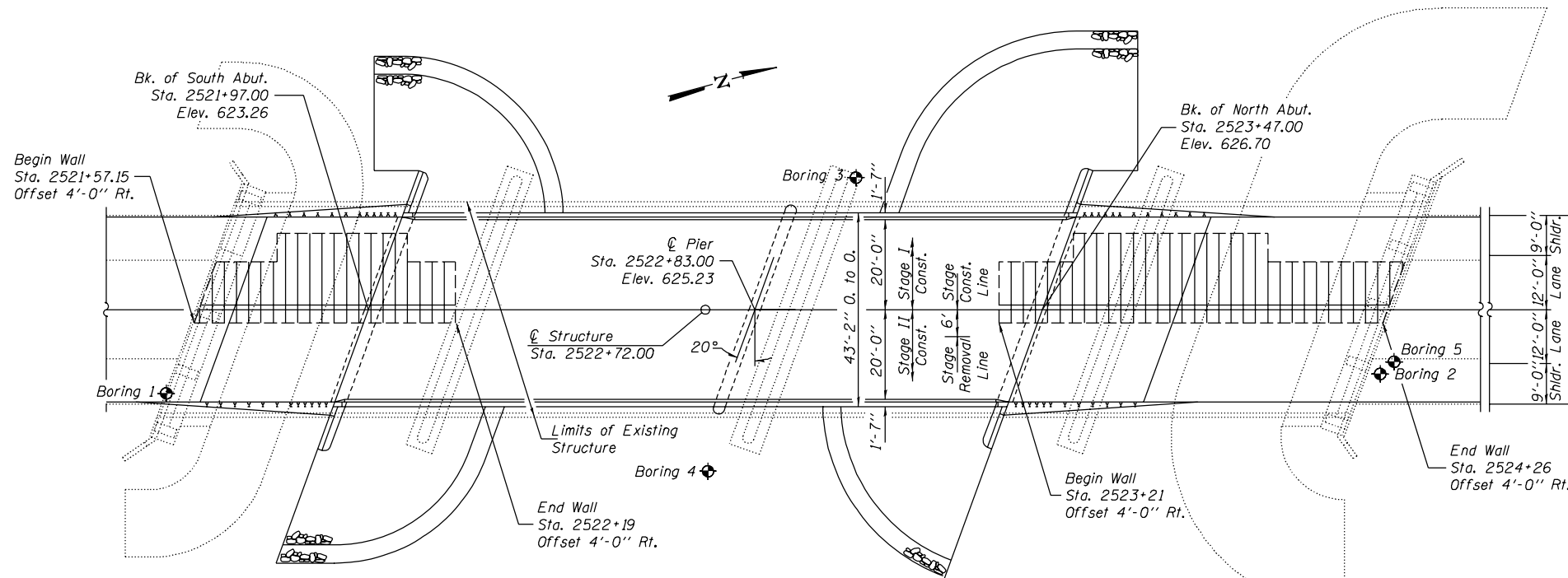
Looking south

* Per IDOT Special Provision "Temporary Mechanically Stabilized Earth Wall"



ELEVATION - SOUTH TMSE WALL

Looking west



PLAN

Notes: Piles within the limits of the Temporary MSE Wall shall not be driven through geotextile fabric. The Contractor may drive the piles prior to laying reinforced soil mass or use sono-tubes at the locations of the proposed piles, within the limits of MSE wall. If sono-tubes are used, the cost shall be included with Temporary Mechanically Stabilized Earth Wall.

BILL OF MATERIAL

Item	Unit	Quantity
Temporary Mechanically Stabilized Earth Wall	Sq. Ft.	440

SOUTH TMSE WALL DETAILS
F.A.P. RTE. 332 - SEC. 47BR-2
VERMILION COUNTY
STATION 2522+72.00
STRUCTURE NO. 092-0206

DESIGNED	Paul S. Guthrie
CHECKED	Dhruv P. Narielwala
DRAWN	h.t. duong
CHECKED	PSG/DPN

EXAMINED	August 4, 2006
PASSED	Thomas J. Damagala ENGINEER OF BRIDGE DESIGN
	Ralph E. Anderson ENGINEER OF BRIDGES AND STRUCTURES