

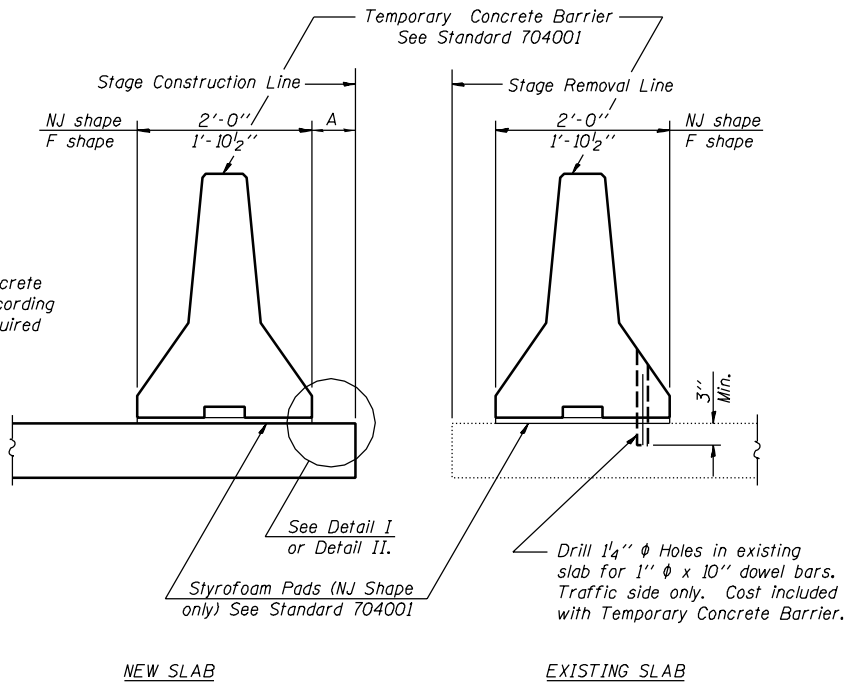
STATE OF ILLINOIS
DEPARTMENT OF TRANSPORTATION

ROUTE NO.	SECTION	COUNTY	TOTAL SHEETS	SHEET NO.
FAP 332	47BR-2	VERMILION	68	24
FED. ROAD DIST. NO. 7	ILLINOIS	FED. AID PROJECT		

SHEET NO. 5
23 SHEETS

Contract #70420

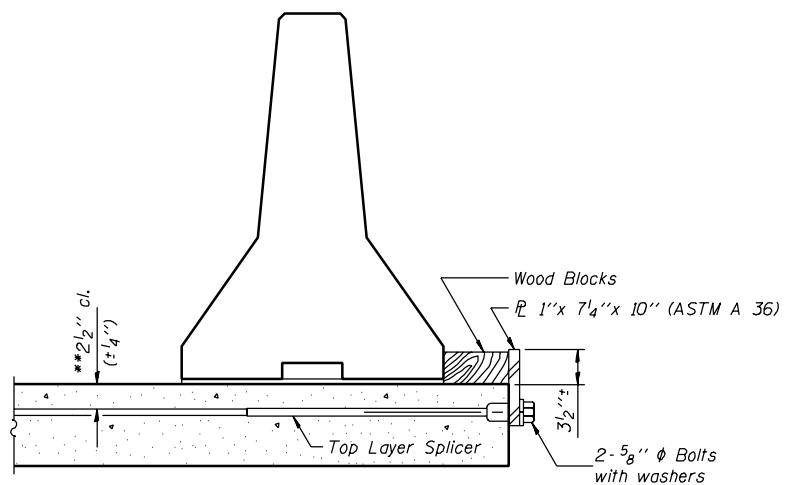
When "A" is 3'-6" or less, the temporary concrete barrier shall be anchored to the new slab according to Detail I or Detail II. No anchorage is required when "A" is greater than 3'-6".



SECTIONS THRU SLAB

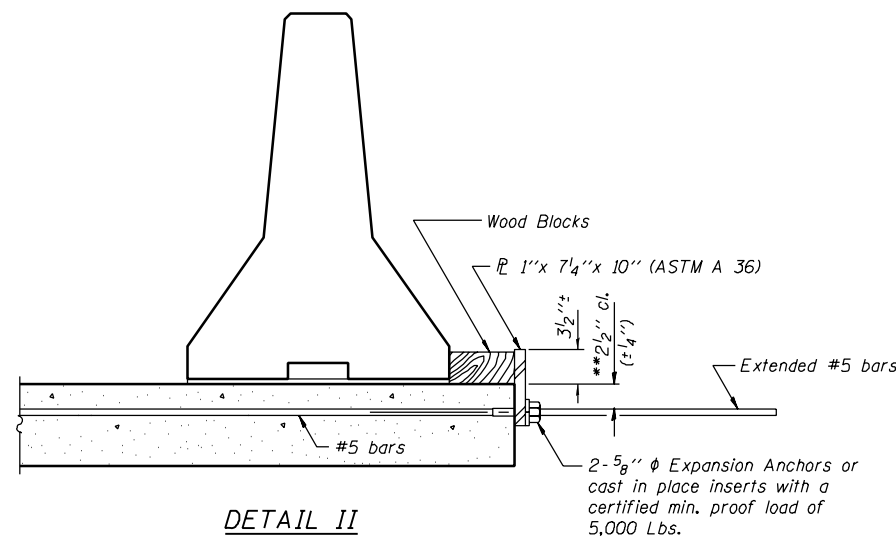
NOTES

- Detail I - With Bar Splicer or Couplers:**
Connect one (1) 1" x 7 1/4" x 10" steel PL to the top layer of couplers with 2-5/8" φ bolts screwed to coupler at approximate C of each barrier panel.
- Detail II - With Extended Reinforcement Bars:**
Connect one (1) 1" x 7 1/4" x 10" steel PL to the concrete slab with 2-5/8" φ Expansion Anchors or cast in place inserts spaced between the top layer of reinforcement at approximate C of each barrier panel.
- Cost of anchorage is included with Temporary Concrete Barrier.



DETAIL I

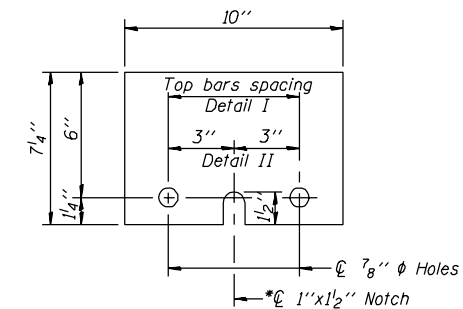
The 1" x 7 1/4" x 10" Plate shall not be removed until Stage II Construction forms and reinforcement bars are in place.



DETAIL II

The 1" x 7 1/4" x 10" Plate shall not be removed until Stage II Construction forms and all reinforcement bars are in place and the concrete is ready to be placed.

**Prior to grinding.



1" x 7 1/4" x 10"

* Required only with Detail II

DESIGNED	D. P. Narielwala
CHECKED	S. M. Ryan
DRAWN	h.t. duong
CHECKED	DPN/SMR

August 4, 2006
EXAMINED *Thomas J. Damagala*
ENGINEER OF BRIDGE DESIGN
PASSED *Ralph E. Anderson*
ENGINEER OF BRIDGES AND STRUCTURES

MODIFIED TEMPORARY CONCRETE BARRIER
FOR STAGE CONSTRUCTION
F.A.P. RTE. 332 - SEC. 47BR-2
VERMILION COUNTY
STATION 2522+72.00
STRUCTURE NO. 092-0206