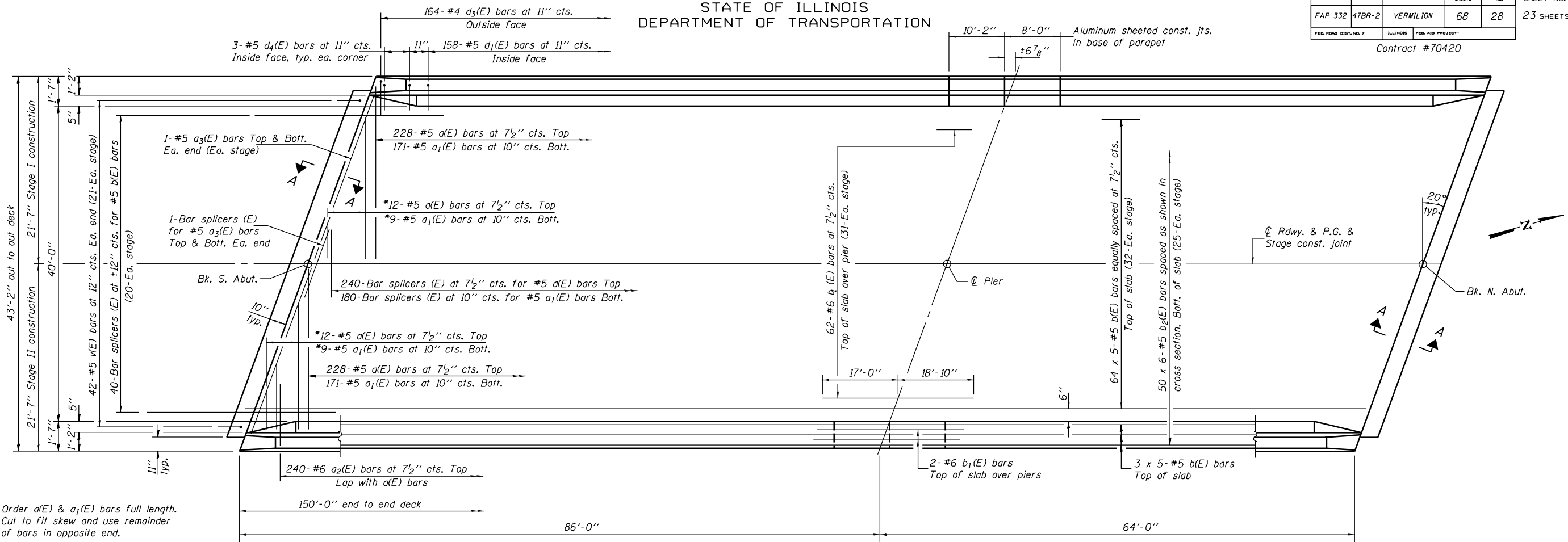


STATE OF ILLINOIS
DEPARTMENT OF TRANSPORTATION

ROUTE NO.	SECTION	COUNTY	TOTAL SHEETS	SHEET NO.
FAP 332	47BR-2	VERMILION	68	28
FED. ROAD DIST. NO. 7	ILLINOIS	FED. AID PROJECT-		

SHEET NO. 9
23 SHEETS

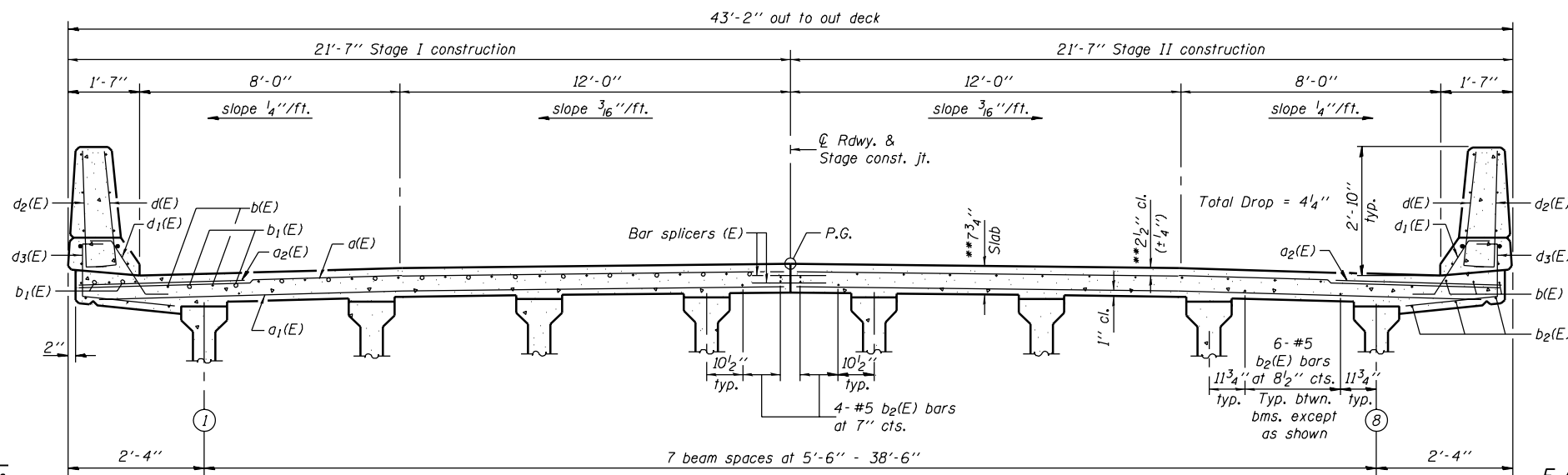
Contract #70420



PLAN

MIN. BAR LAP
#5 bar = 1'-8"

Notes:
See sheet 10 of 23 for superstructure details and Bill of Material.
For Section A-A and diaphragm details see sheet 11 of 23.
Reinforcement bars designated (E) shall be epoxy coated.
Bars indicated thus 50 x 6-#5 etc. indicates 50 lines of bars with 6 lengths per line.
See sheet 10 of 23 for parapet reinforcement.
See sheet 21 of 23 for bar splicer details.



CROSS SECTION

(Looking north)
**Prior to grinding

SUPERSTRUCTURE
F.A.P. RTE. 332 - SEC. 47BR-2
VERMILION COUNTY
STATION 2522+72.00
STRUCTURE NO. 092-0206

DESIGNED	D. P. Narielwala
CHECKED	S. M. Ryan
DRAWN	h.t. duong
CHECKED	DPN/SMR

August 4, 2006
EXAMINED *Thomas J. Damagala*
ENGINEER OF BRIDGE DESIGN
PASSED *Rafael E. Anderson*
ENGINEER OF BRIDGES AND STRUCTURES

NEAR PIER

NEAR MIDSPAN