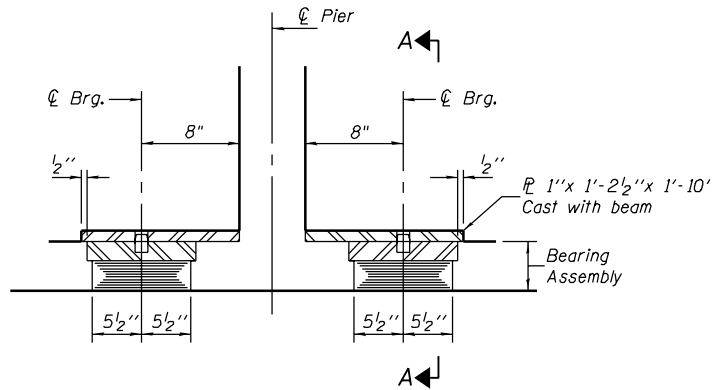


STATE OF ILLINOIS
DEPARTMENT OF TRANSPORTATION

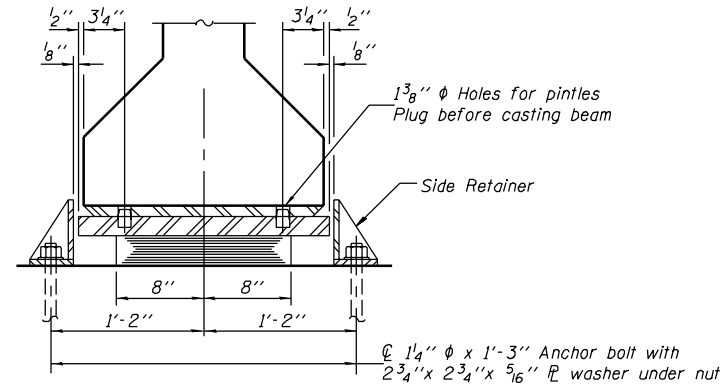
ROUTE NO.	SECTION	COUNTY	TOTAL SHEETS	SHEET NO.
FAP 332	47BR-2	VERMILION	68	31
FED. ROAD DIST. NO. 7	ILLINOIS	FED. AID PROJECT-		

SHEET NO. 12
23 SHEETS

Contract #70420

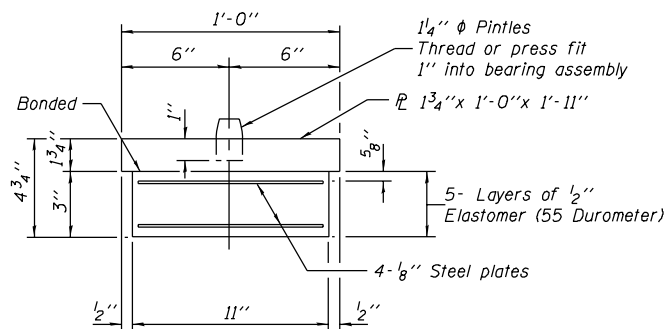


SECTION AT PIER

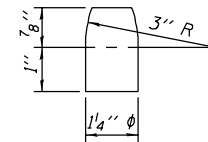


SECTION A-A

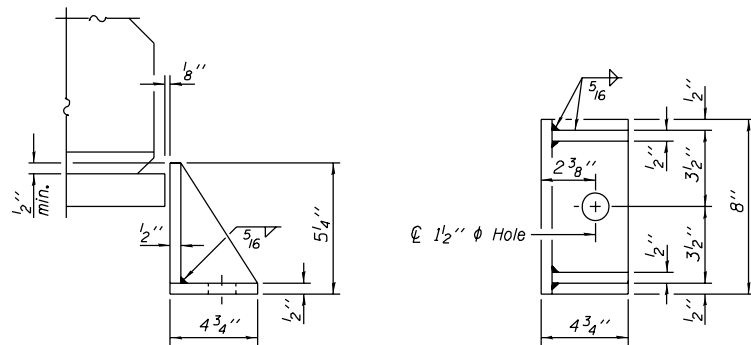
TYPE I ELASTOMERIC EXP. BRG.



BEARING ASSEMBLY



PINTLE



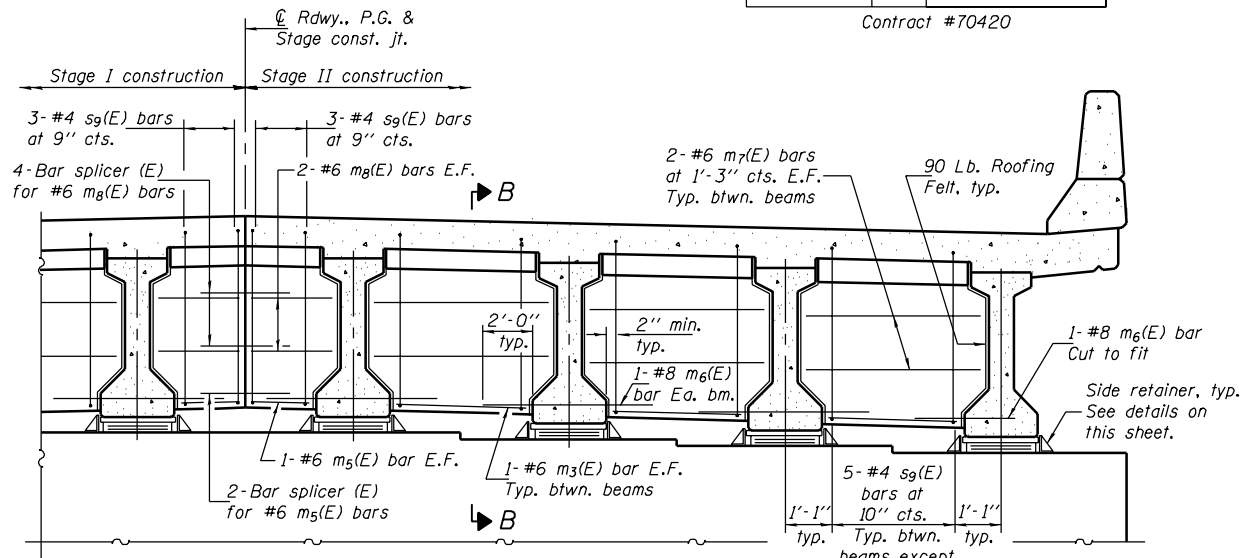
SIDE RETAINER

Cost included with Elastomeric Bearing Assembly, Type I.
Equivalent rolled angle with stiffeners will be allowed in lieu of welded plates.

DESIGNED	D. P. Narielwala
CHECKED	S. M. Ryan
DRAWN	h.t. duong
CHECKED	DPN/SMR

August 4, 2006
EXAMINED *Thomas J. Damagala*
PASSED *Ralph E. Anderson*
ENGINEER OF BRIDGES AND STRUCTURES

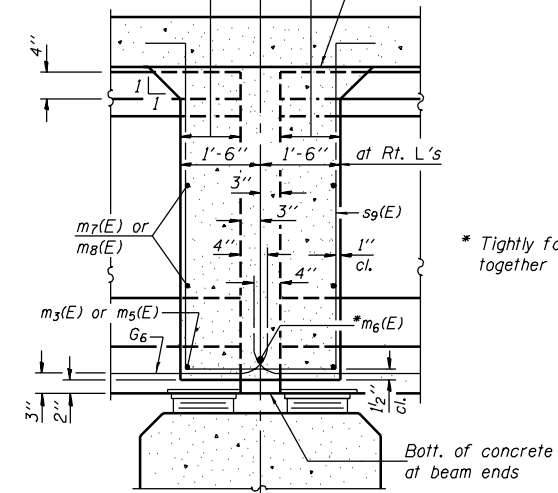
Notes: Holes at expansion bearings shall be drilled and anchor bolts grouted in place after beams have been erected.
See sheet 17 of 23 for anchor bolt installation.
See sheet 16 of 23 for additional details of plate cast with beam.
The side retainers shall be galvanized after shop fabrication according to AASHTO M 111 and ASTM 385.
Cost of 90 Lb. roofing felt is included with Concrete Superstructure.
See sheet 10 of 23 for detail of bar s₉(E). The s₉(E) bar shall be placed parallel to the beams. Spacing for these bars shall be at right angles to the beams.
The structural steel bearing plates of the Elastomeric Bearing Assembly shall conform to the requirements of AASHTO M 270, Grade 50.
Reinforcement bars in diaphragm are billed with superstructure on sheet 10 of 23.
Concrete in diaphragm is included with Concrete Superstructure on sheet 10 of 23.
Reinforcement bars designated (E) shall be epoxy coated.



DIAPHRAGM ELEVATION AT PIER

(Looking north)

Roofing felt shall be bonded to side of beam embedded into diaphragm.
Pour diaphragm flush with bott. of slab. Concrete in slab above this line shall be placed not less than 45 min. nor more than 90 min. after diaphragm has been poured.



SECTION B-B

(At Pier - Expansion)

Dimensions along centerline of beam, except as shown

BILL OF MATERIAL

Item	Unit	Total
Elastomeric Bearing Assembly, Type I	Each	16

PIER DIAPHRAGM & BEARING DETAILS
F.A.P. RTE. 332 - SEC. 47BR-2
VERMILION COUNTY
STATION 2522+72.00
STRUCTURE NO. 092-0206