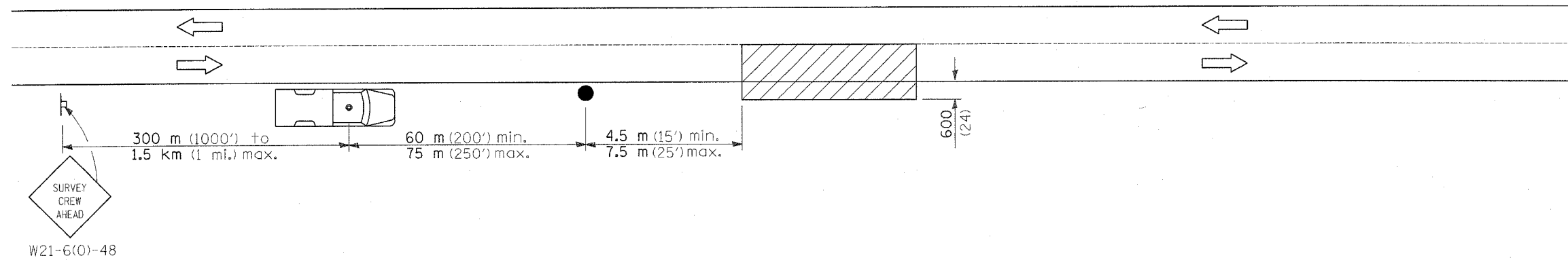


F.A. RTE.	SECTION	COUNTY	TOTAL SHEETS	SHEET NO.
774	(107Z) TSL-4	EFFINGHAM	13	12
STA.		TD STA.		
FED. ROAD DIST. NO.		ILLINOIS FED. AID PROJECT		



SYMBOLS

Work area

Sign on portable or permanent support

Truck with flashing amber light and dual emergency flashers

Flagger with traffic control sign

TYPICAL APPLICATIONS

Utility operations

All dimensions are in millimeters (inches) unless otherwise shown.

REVISIONS	
NAME	DATE

ILLINOIS DEPARTMENT OF TRANSPORTATION
**DETAIL FOR
 NIGHTTIME LIGHTING
 INSPECTION**

SCALE: VERT. DATE
 HORIZ. DRAWN BY
 CHECKED BY

PLOT DATE = 8/1/2006
 FILE NAME = #FILE#
 PLOT SCALE = #SCALE#
 USER NAME = district