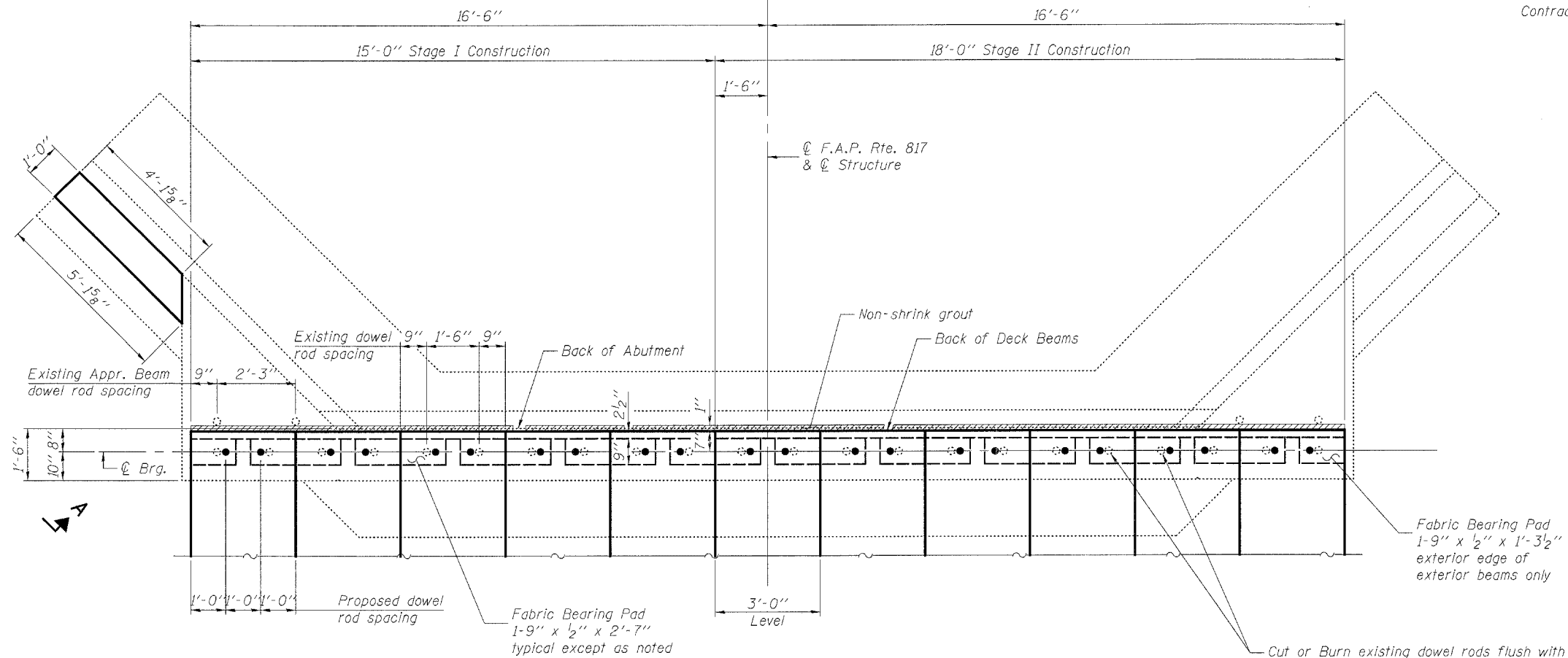


STATE OF ILLINOIS  
DEPARTMENT OF TRANSPORTATION

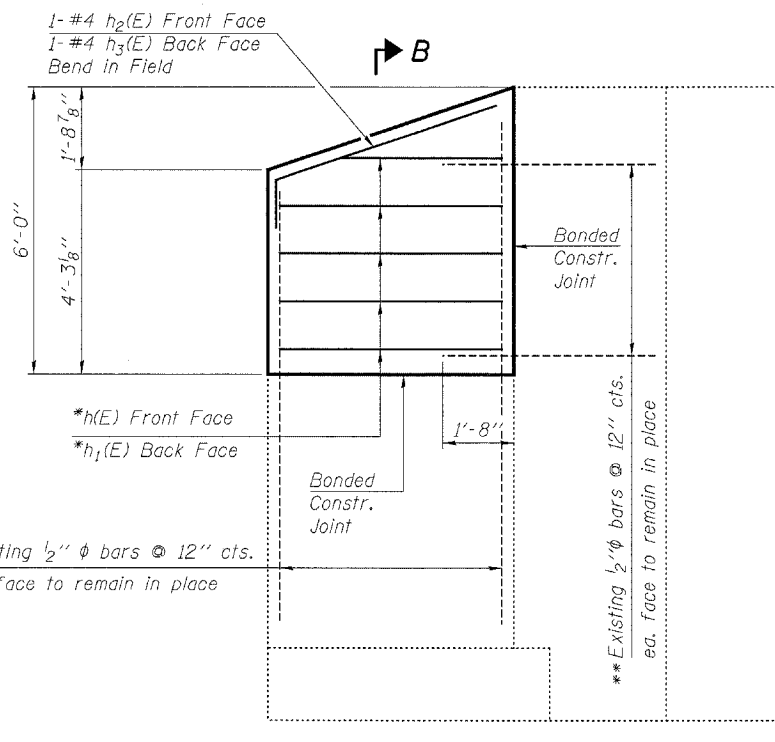
|                       |                 |                   |              |           |                          |
|-----------------------|-----------------|-------------------|--------------|-----------|--------------------------|
| ROUTE NO.             | SECTION         | COUNTY            | TOTAL SHEETS | SHEET NO. | SHEET NO. 8<br>10 SHEETS |
| F.A.P. 817            | 8BR-2,<br>8BR-3 | WASHINGTON        | 52           | 27        |                          |
| FED. ROAD DIST. NO. 7 | ILLINOIS        | FED. AID PROJECT- |              |           |                          |

Contract #76946



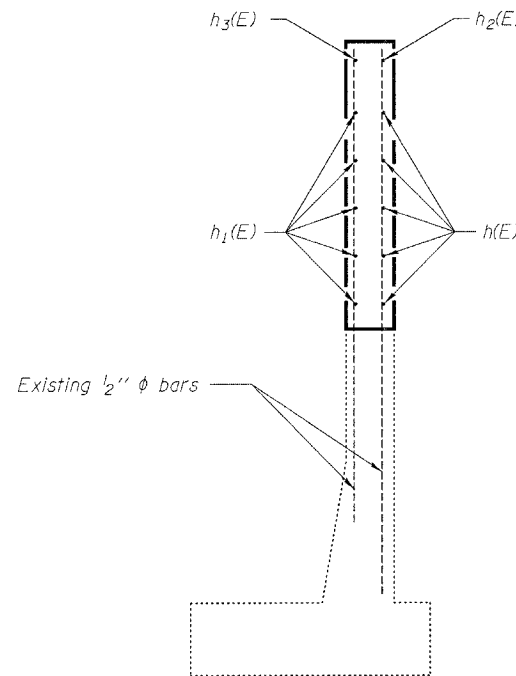
**PLAN**

(Bituminous concrete surface course not shown)



**VIEW A-A**

(Deck Beams, Approach Beams, Bituminous concrete surface course not shown)



**SECTION B-B**

**Notes:**

Existing reinforcement bars extending into the removal area shall be cleaned, straightened and incorporated into the new construction. Any reinforcement bars that are damaged during concrete removal shall be replaced with an approved bar splicer or anchorage system. Cost included with Concrete Removal.  
For Abutment Repair and Concrete Removal details see sheet 10 of 10.

**BILL OF MATERIAL**

| Bar                              | No. | Size | Length | Shape   |     |
|----------------------------------|-----|------|--------|---------|-----|
| h <sub>2</sub> (E)               | 5   | #4   | 4'-8"  | —       |     |
| h <sub>1</sub> (E)               | 5   | #4   | 4'-0"  | —       |     |
| h <sub>2</sub> (E)               | 1   | #4   | 6'-0"  | —       |     |
| h <sub>3</sub> (E)               | 1   | #4   | 5'-3"  | —       |     |
| Reinforcement Bars, Epoxy Coated |     |      |        | Pound   | 40  |
| Concrete Structures              |     |      |        | Cu. Yd. | 0.9 |

|          |     |
|----------|-----|
| DESIGNED | EML |
| CHECKED  | NJM |
| DRAWN    | EML |
| CHECKED  | NJM |

**HORNER & SHIFRIN, INC.**  
ENGINEERS ■ ARCHITECTS ■ PLANNERS

**WEST ABUTMENT**  
**F.A.P. ROUTE 817 - SECTION 8BR-2**  
**WASHINGTON COUNTY**  
**STATION 25+18.00**  
**STRUCTURE NO. 095-0010**