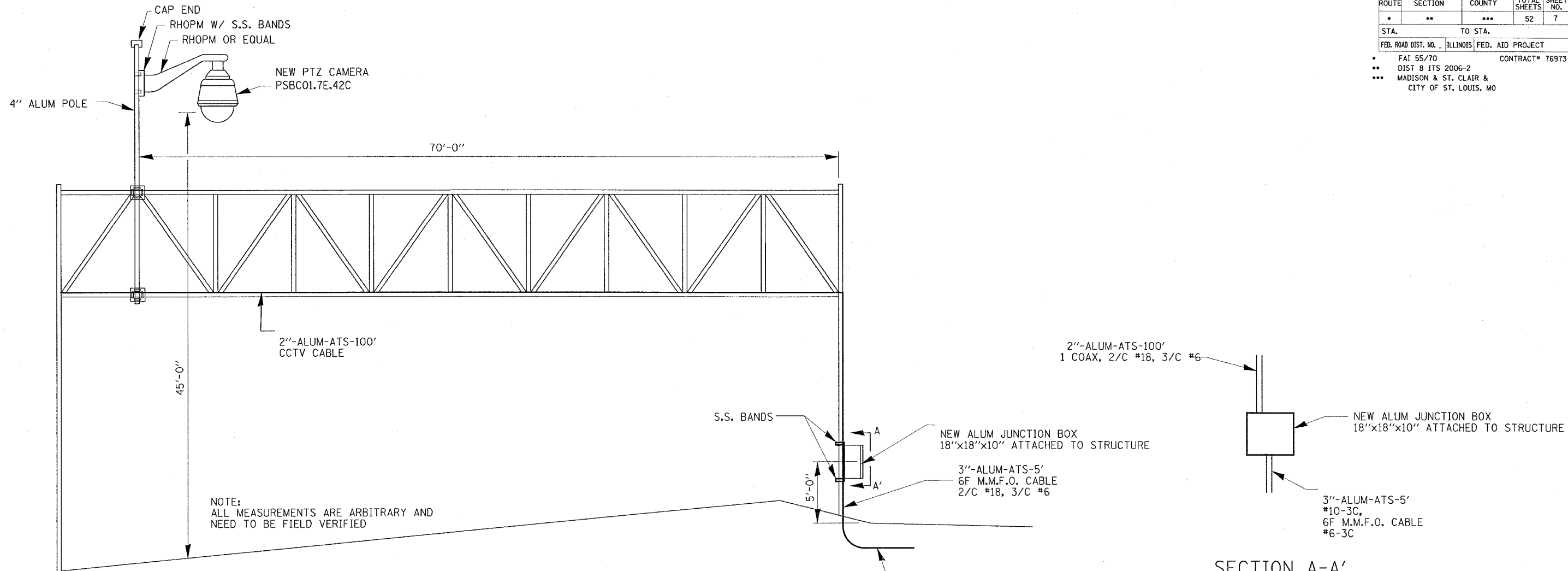
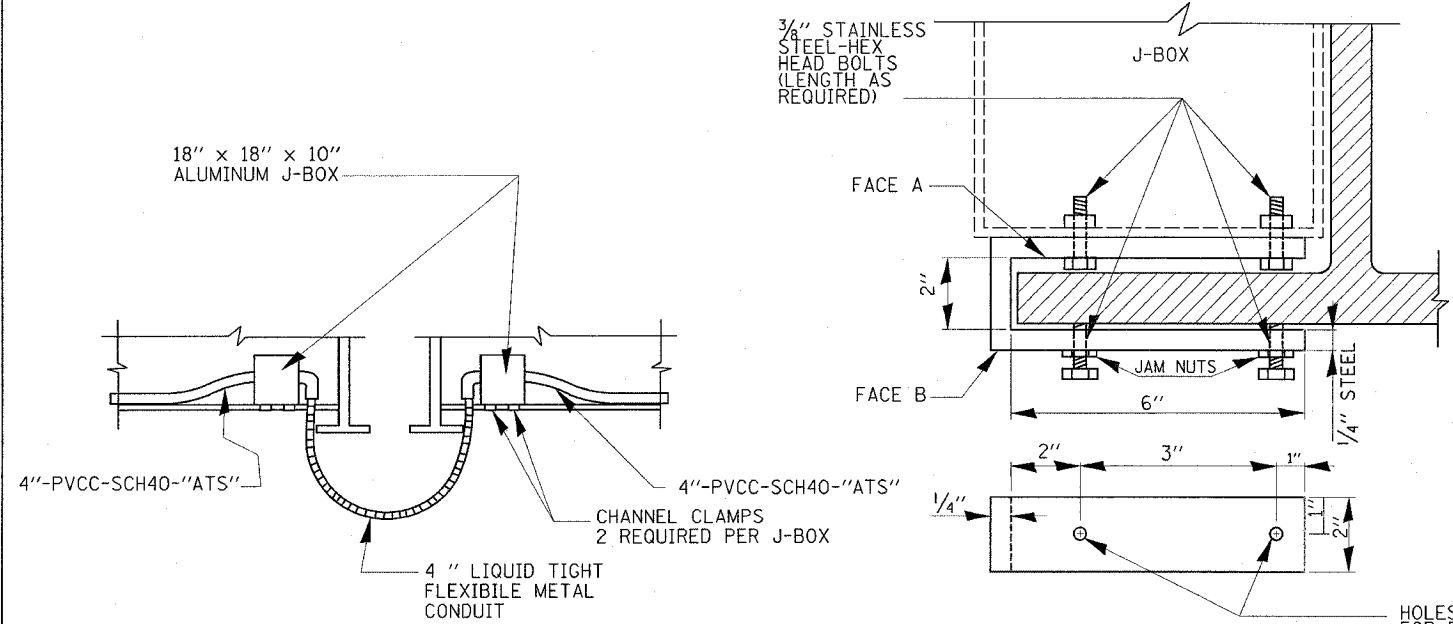


ROUTE	SECTION	COUNTY	TOTAL SHEETS	SHEET NO.
*	**	***	52	7
STA.		TO STA.		
FED. ROAD DIST. NO.		ILLINOIS FED. AID PROJECT		
* FAI 55/70		CONTRACT# 76973		
** DIST 8 ITS 2006-2				
*** MADISON & ST. CLAIR & CITY OF ST. LOUIS, MO				



NOTE:  
ALL MEASUREMENTS ARE ARBITRARY AND  
NEED TO BE FIELD VERIFIED

SECTION A-A'



TYPICAL CONDUIT EXPANSION JOINT

VIEW OF FACE A & B  
CHANNEL CLAMP DETAIL D

HOLES (1/2" Ø FOR FACE A  
FOR FACE B-HOLES SHALL  
BE TAPPED FOR 3/8" SET SCREW  
DIA. AS REQUIRED)

Rev. 8-31-06

REVISIONS	
NAME	DATE

ILLINOIS DEPARTMENT OF TRANSPORTATION  
  
TRUSS MOUNT CCTV DETAILS  
  
FAI 55/70  
SECTION DIST 8 ITS 2006-2  
MADISON AND ST. CLAIR COUNTY  
AND ST. LOUIS, MO  
  
DATE 8/23/2006

PLOT DATE = 8/23/2006  
FILE NAME = c:\projects\aed11805\electrical\truss\truss.dgn  
PLOT SCALE = 1/8" = 1'-0"  
REFERENCE = SHEET#