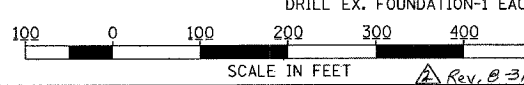
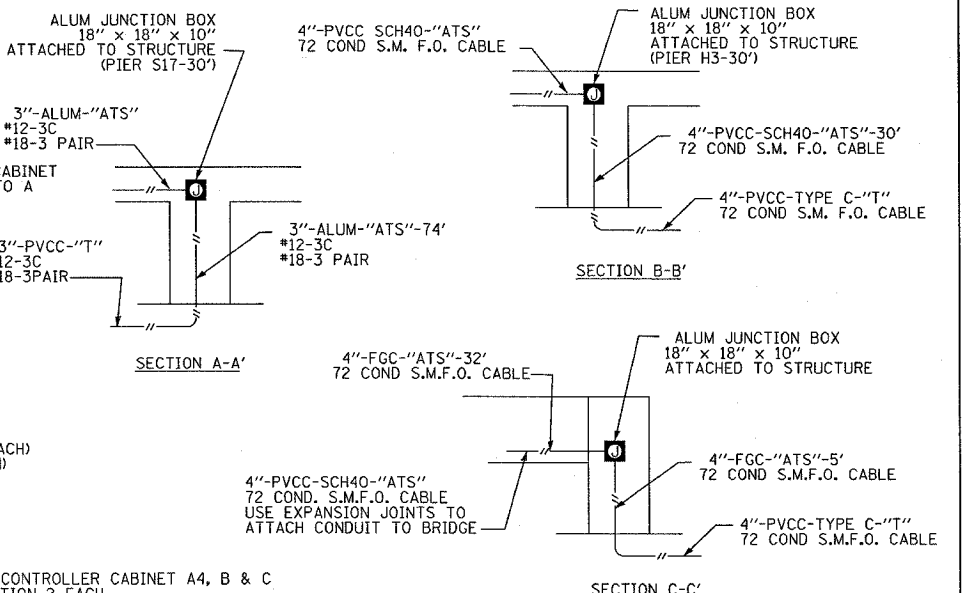
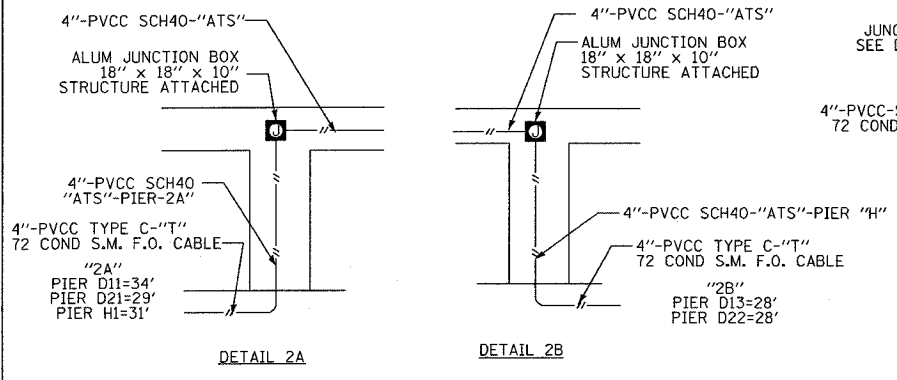
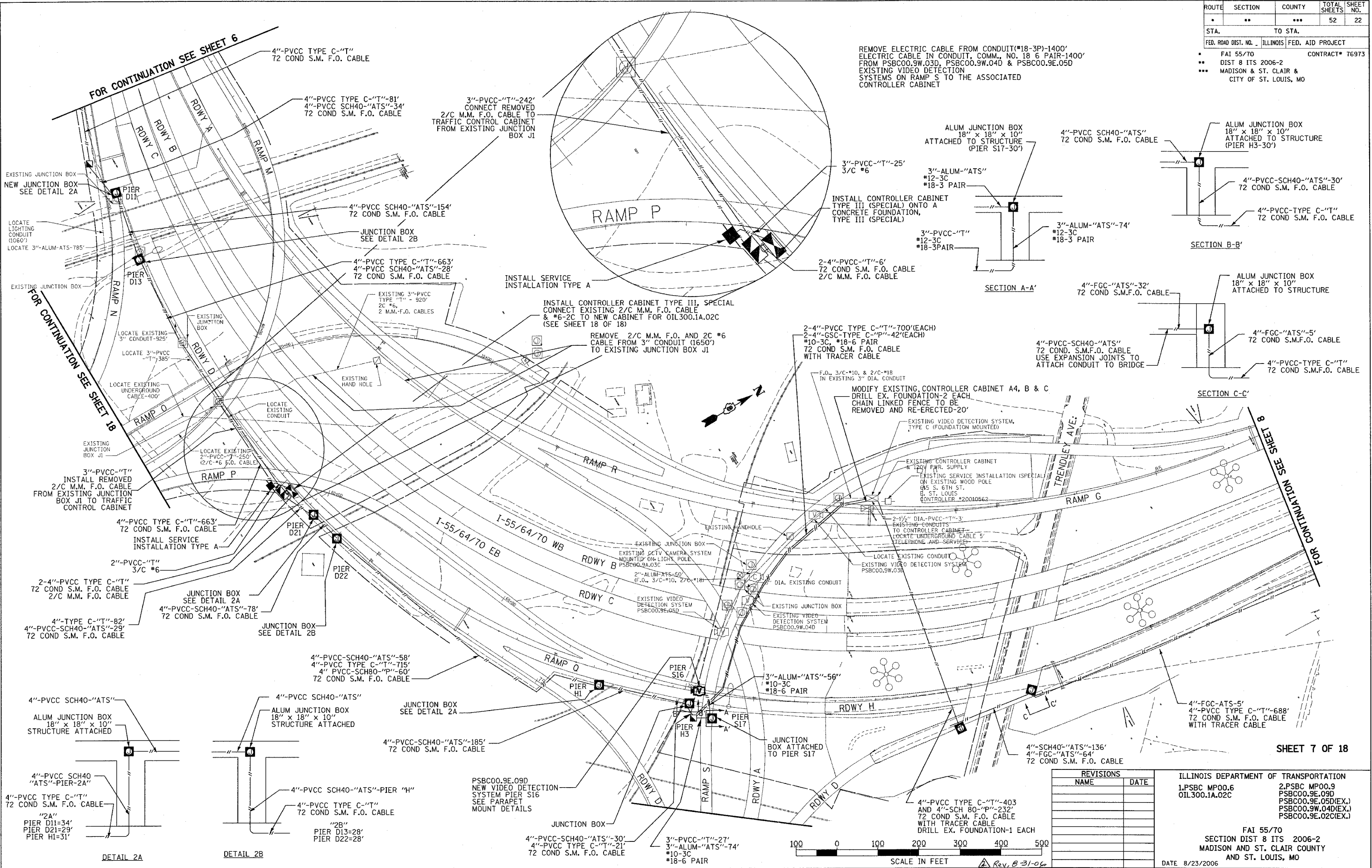


ROUTE	SECTION	COUNTY	TOTAL SHEETS	SHEET NO.
•	••	•••	52	22
STA.	TO STA.			
FED. ROAD DIST. NO.	ILLINOIS FED. AID PROJECT			
•	FAI 55/70			CONTRACT# 76973
••	DIST 8 ITS 2006-2			
•••	MADISON & ST. CLAIR & CITY OF ST. LOUIS, MO			



REVISIONS	
NAME	DATE

ILLINOIS DEPARTMENT OF TRANSPORTATION
 1.PSBC MP00.6
 OIL300.IA.02C

2.PSBC MP00.9
 PSBC00.9E.09D
 PSBC00.9E.05D(EX.)
 PSBC00.9W.04D(EX.)
 PSBC00.9E.02C(EX.)

FAI 55/70
 SECTION DIST 8 ITS 2006-2
 MADISON AND ST. CLAIR COUNTY
 AND ST. LOUIS, MO

DATE 8/23/2006

PLOT DATE = 8/23/2006
 FILE NAME = c:\projects\aed\1695\electrical\1695aed.dgn
 PLOT SCALE = 1/8"=1'-0"
 REFERENCE = SHEET #