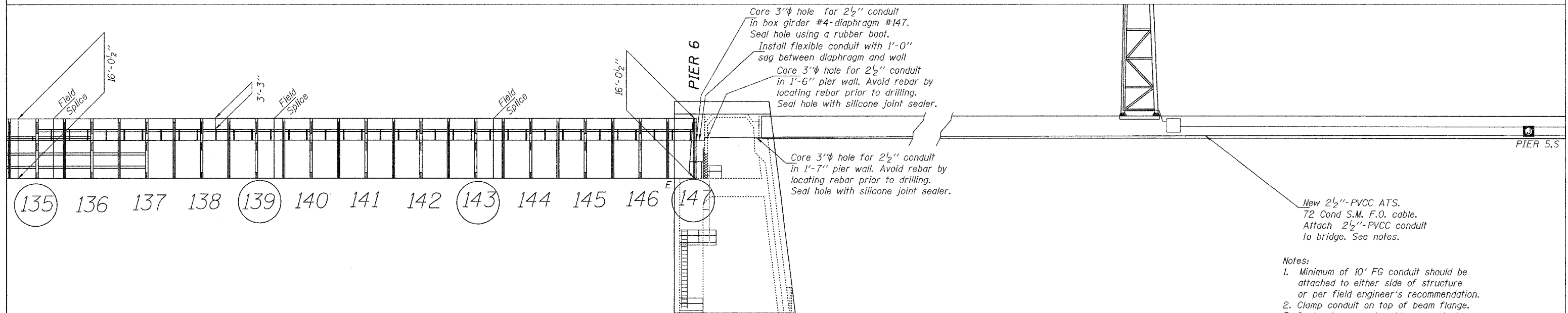
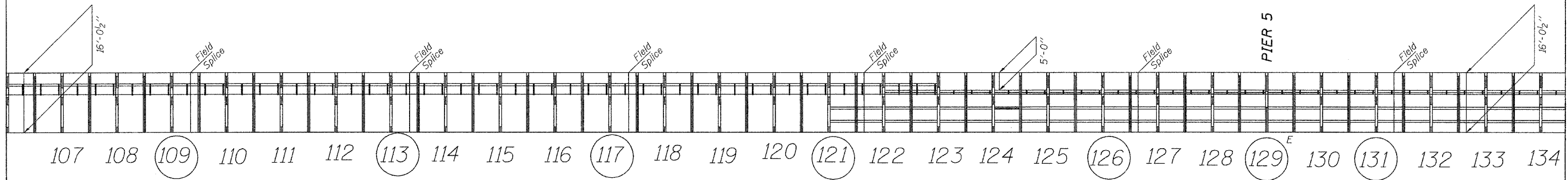


F.A.I. RTE.	SECTION	COUNTY	TOTAL SHEETS	SHEET NO.
*	**	***		19
STA.		TO STA.		
FED. ROAD DIST. NO.		ILLINOIS FED. AID PROJECT		

55/70
 ** DIST 8 ITS 2006-2
 *** MADISON & ST. CLAIR & CITY OF ST. LOUIS, MO

Sheet 3 of 4



New 2 1/2\"-PVCC ATS.
 72 Cond S.M. F.O. cable.
 Attach 2 1/2\"-PVCC conduit to bridge. See notes.

- Notes:
1. Minimum of 10' FG conduit should be attached to either side of structure or per field engineer's recommendation.
 2. Clamp conduit on top of beam flange.
 3. Contractor cannot weld or penetrate structural steel.

BRIDGE LENGTHS

PIER 1 TO PIER 2	300'
PIER 2 TO PIER 3	500'
PIER 3 TO PIER 4	600'
PIER 4 TO PIER 5	500'
PIER 5 TO PIER 6	265'

DIAPHRAGM # TO DIAPHRAGM #	HEIGHT TO HEIGHT
1 TO 46	16'-0 1/2\" TO 16'-0 1/2\"
46 TO 55	16'-0 1/2\" TO 25'-0 1/2\"
55 TO 65	25'-0 1/2\" TO 17'-0 1/2\"
65 TO 85	17'-0 1/2\" TO 17'-0 1/2\"
85 TO 95	17'-0 1/2\" TO 25'-0 1/2\"
95 TO 104	25'-0 1/2\" TO 16'-0 1/2\"
104 TO 147	16'-0 1/2\" TO 16'-0 1/2\"

1. Longitudinal web stiffeners are ST7WF15, LOOKING SOUTH except at field splices.
2. Field splice longitudinal web stiffeners are 26 x 3 1/2\" x 21.1.
3. 2 1/2\"-PVCC conduit w/72 Cond S.M. F.O. cable attached to longitudinal web stiffeners in box girder #4 every 5'-0\". Conduits should be placed through the top opening on the diaphragms.

REVISIONS	
NAME	DATE

ILLINOIS DEPARTMENT OF TRANSPORTATION
POPLAR ST. BRIDGE (PSB)
CONDUIT PLAN
SHEET 3 OF 4
 FAI 255
 SECTION DIST 8 ITS 2007-1, 2A
 MADISON COUNTY