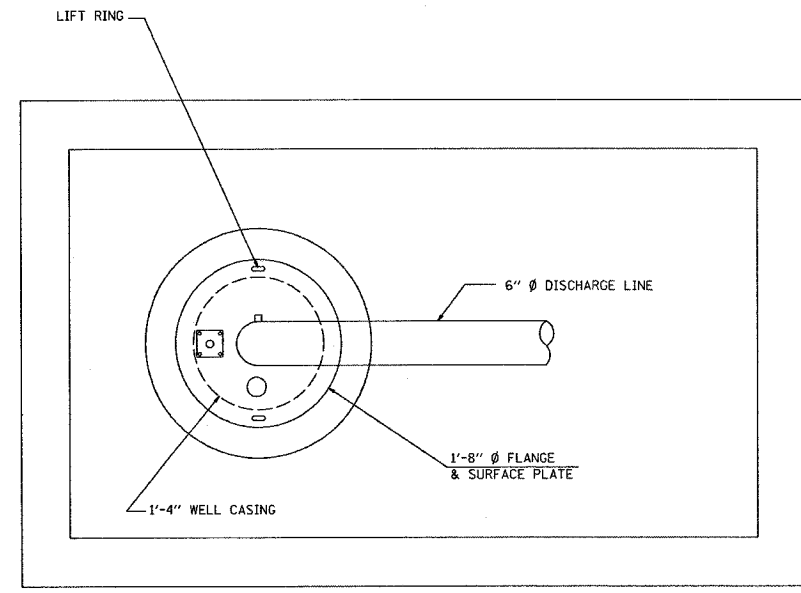


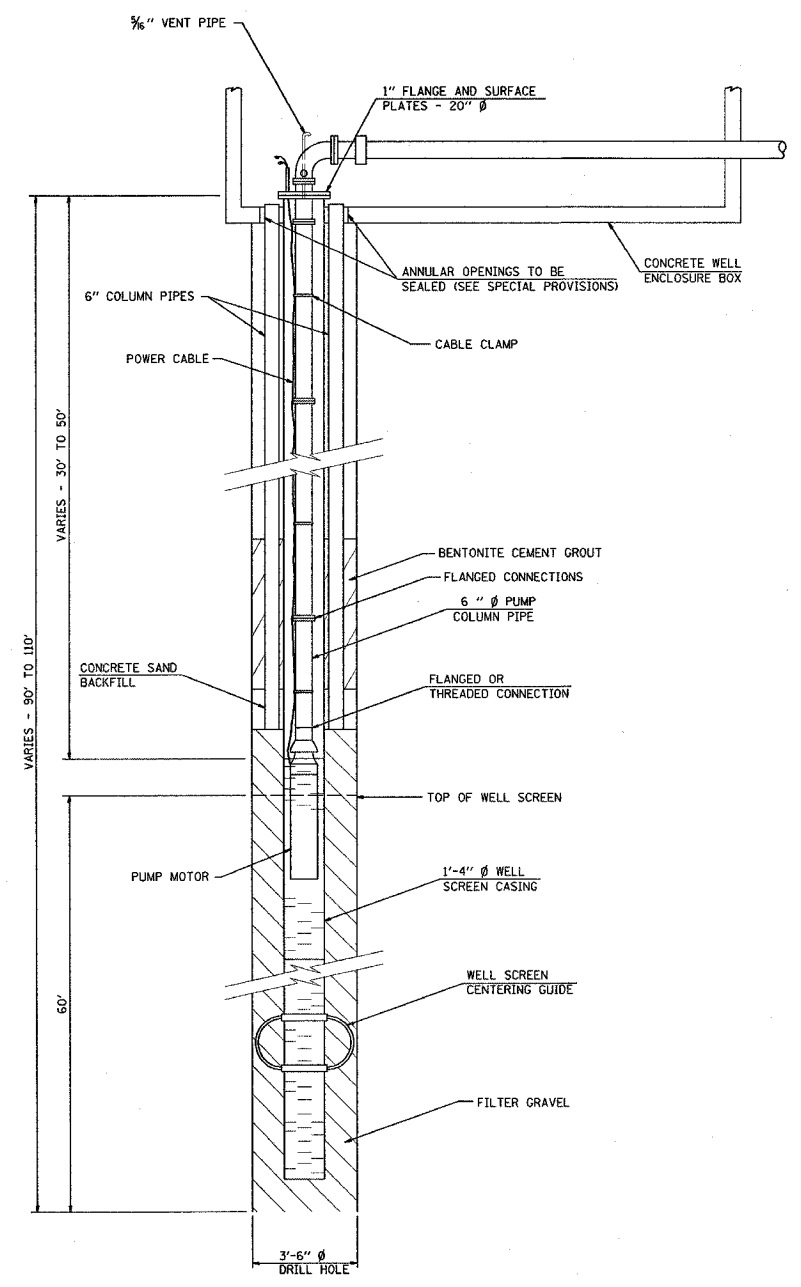
F.A.P. RTE.	SECTION	COUNTY	TOTAL SHEETS	SHEET NO.
VAR	**	***	9	8
STA.	TO STA.			
FED. ROAD DIST. NO.	ILLINOIS FED. AID PROJECT			

** DIST 8 DEEP WELLS 2007-1
 *** MADISON & ST. CLAIR

PLAN	SURVEYED	BY	DATE
NOTE BOOK NO.	ALIGNED		
	CHECKED		
	BY		
	DATE		



WELL HEAD DETAIL



EXISTING

NOT TO SCALE

ILLINOIS DEPARTMENT OF TRANSPORTATION

TYPICAL WELL DETAILS
 LOCATION 1, 2 & 4

VARIOUS ROUTES
 DISTRICT 8 DEEP WELLS 2007-1
 MADISON & ST. CLAIR COUNTY

REVISIONS	
NAME	DATE

DRAWN BY:

PLOT DATE: *DATE-TIME*

•ADJUTANT GENERAL
 •ENGINEER
 •SURVEYOR
 •REF.