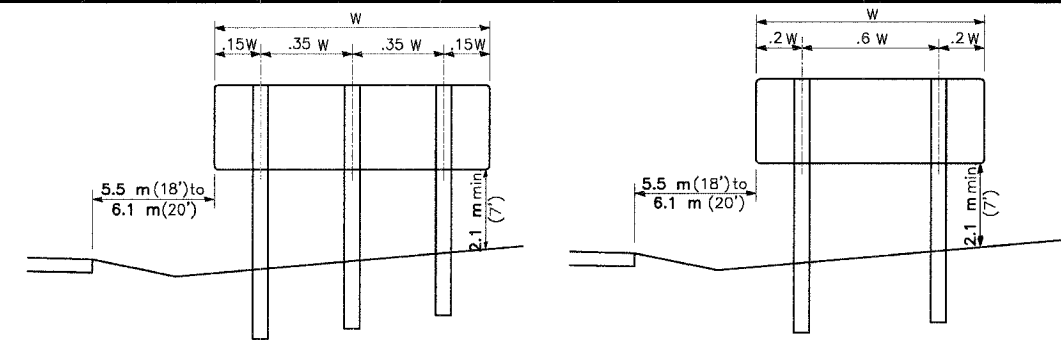
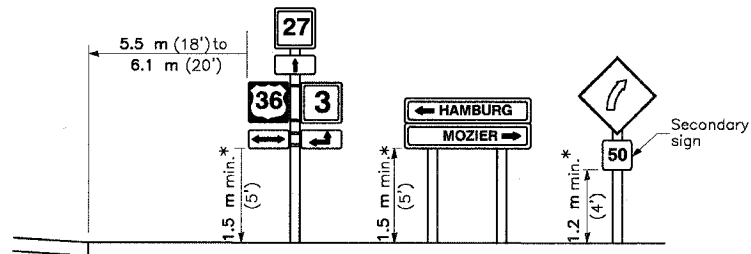


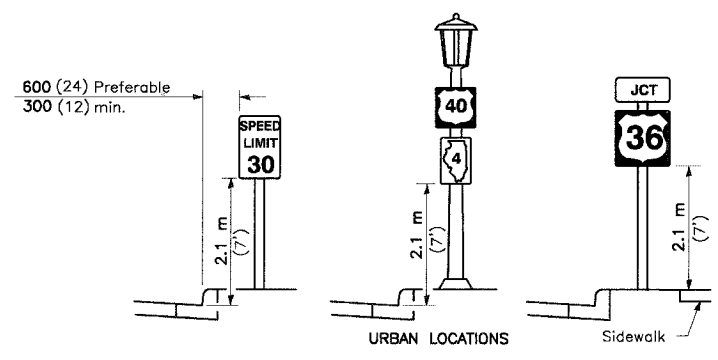
MULTILANE HIGHWAYS



POST SPACING FOR NON-FREEWAY SIGN PANELS

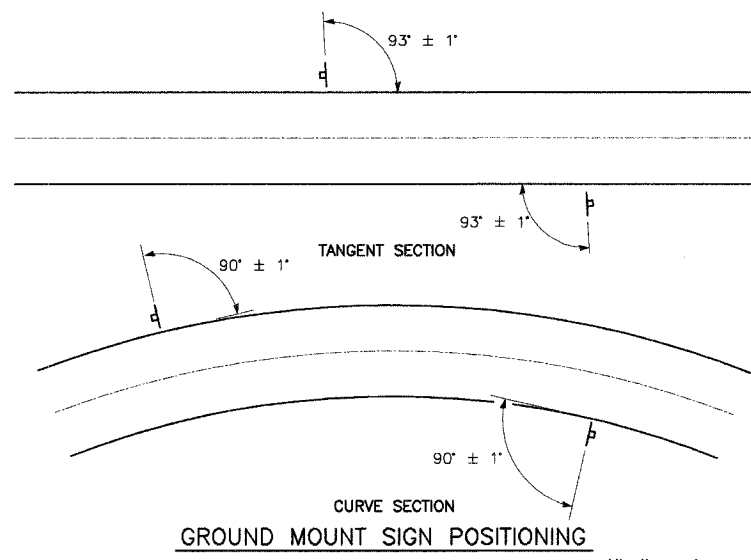


TWO LANE RURAL HIGHWAYS



URBAN LOCATIONS
TYPICAL INSTALLATIONS

Signs in any area shall be erected to a uniform height above the edge of the pavement.



TANGENT SECTION
CURVE SECTION
GROUND MOUNT SIGN POSITIONING

All dimensions are in millimeters (inches) unless otherwise shown.

SIGN PANEL ERECTION DETAILS

(Sheet 1 of 2)

STANDARD 720006

MORRIS ENGINEERING, INC.
 5100 S. LINCOLN • SUITE 100 • LISLE, ILLINOIS 60532
 PHONE: (630)271-0770 • EMAIL: ECIVIL.COM
 DWG LOCATION: H\04-PH\3004\PLANS-ENG\REV-1
 DRAWN BY: CJS/CMM FLD. BK. / PG. NO. : .
 COMPLETION DATE: 4/26/06 JOB NO.: 04-PH-3004

HARLEM AVENUE MEDIAN IMPROVEMENTS			
DETAIL SHEET			
DATE	REVISIONS	BY	SHEET
1 6/1/06	PER IDOT 5/18/06	OSC	24 OF 31 SHEETS
2			
3			