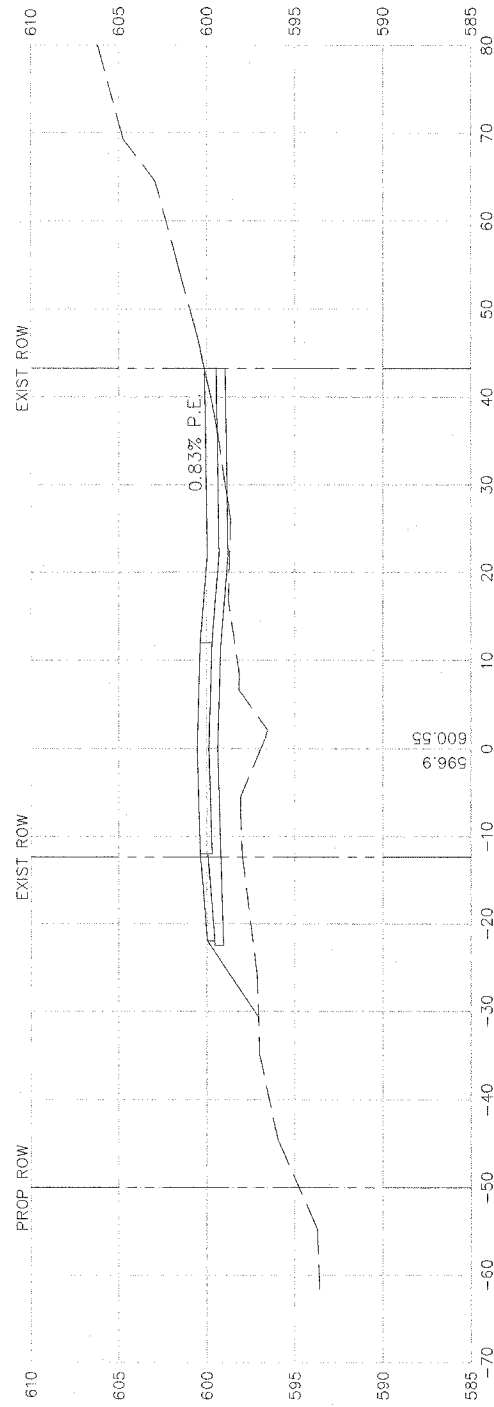
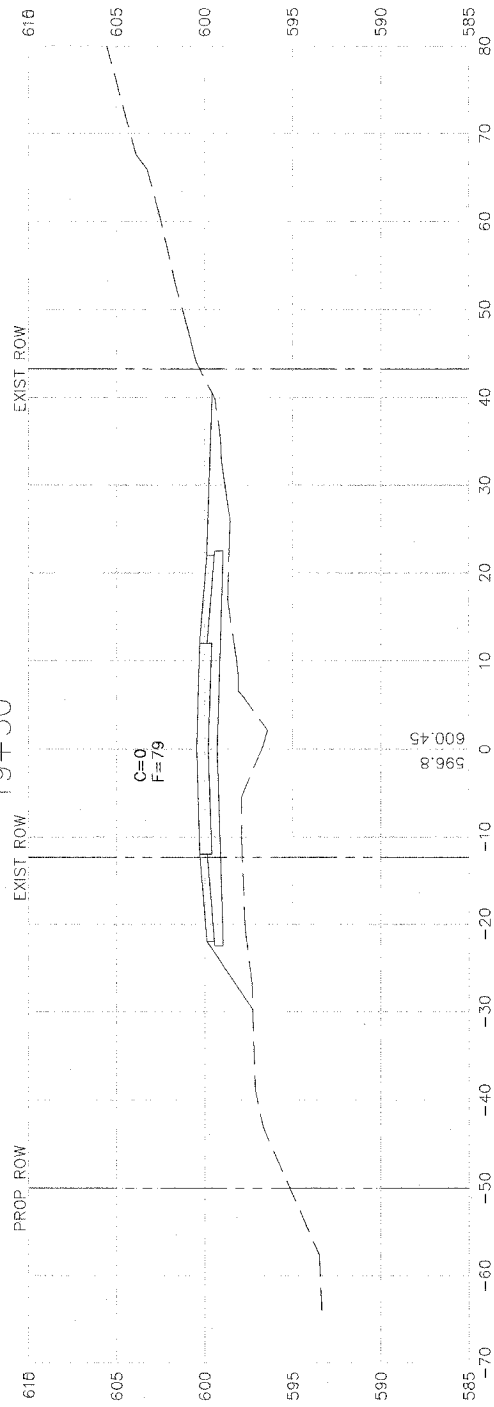


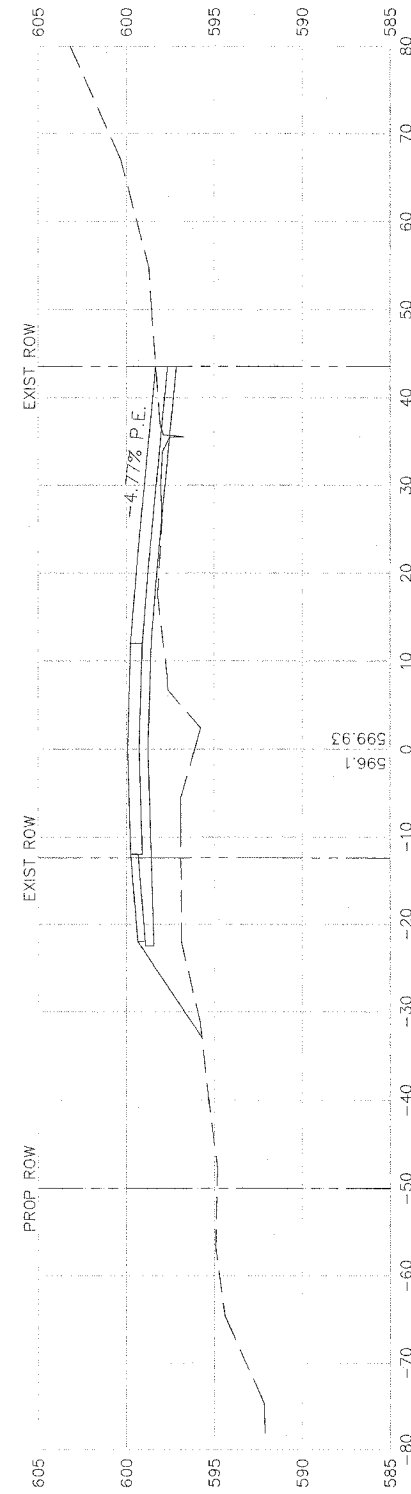
19+57.74



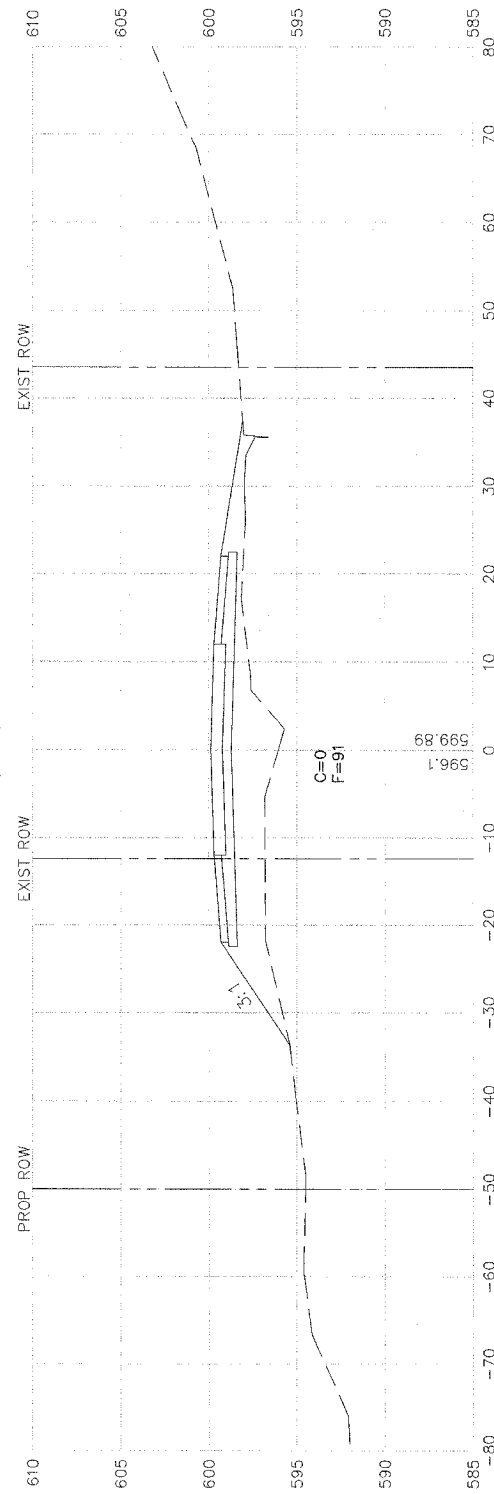
19+50



19+03.82



19+00



| REVISIONS |             | DATE |
|-----------|-------------|------|
| No.       | DESCRIPTION |      |
|           |             |      |
|           |             |      |
|           |             |      |
|           |             |      |

**Missman**  
STANLEY & ASSOCIATES, P.C.  
Civil Engineering - Environmental Services - GIS - Landscape Architecture - Surveying  
1011 27th Avenue  
Rock Island, Illinois 61201-6040  
Phone: (309) 786-7044 Fax: (309) 786-7891

85th AVE WEST  
Rock Island, Illinois  
85th Ave Cross Sections

Missman Project No:  
A04-T023  
File Name:  
2037A\_Cross Sec.dwg  
© COPYRIGHT 2003  
ALL RIGHTS RESERVED  
Drawn By: wef  
Checked By: drm  
Date: MAY 8, 2006

G:\N\2004\A04T023-85AVE WEST\3\2037A\_Cross Sec.dwg, 6/6/2005 8:58:16 AM