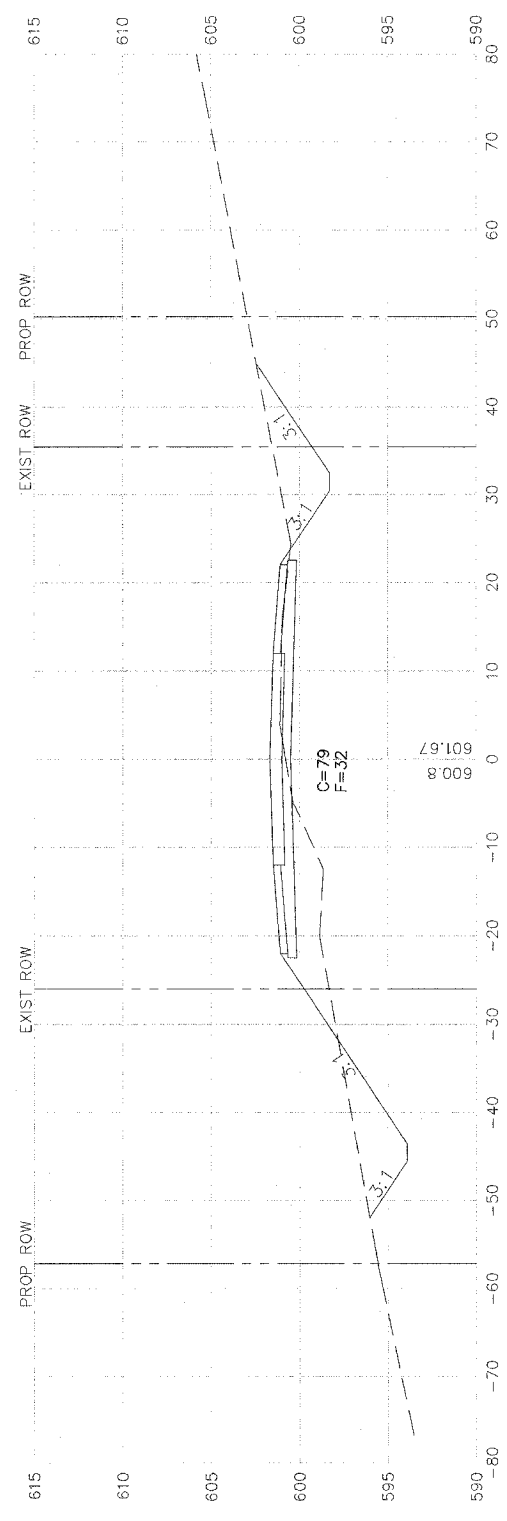
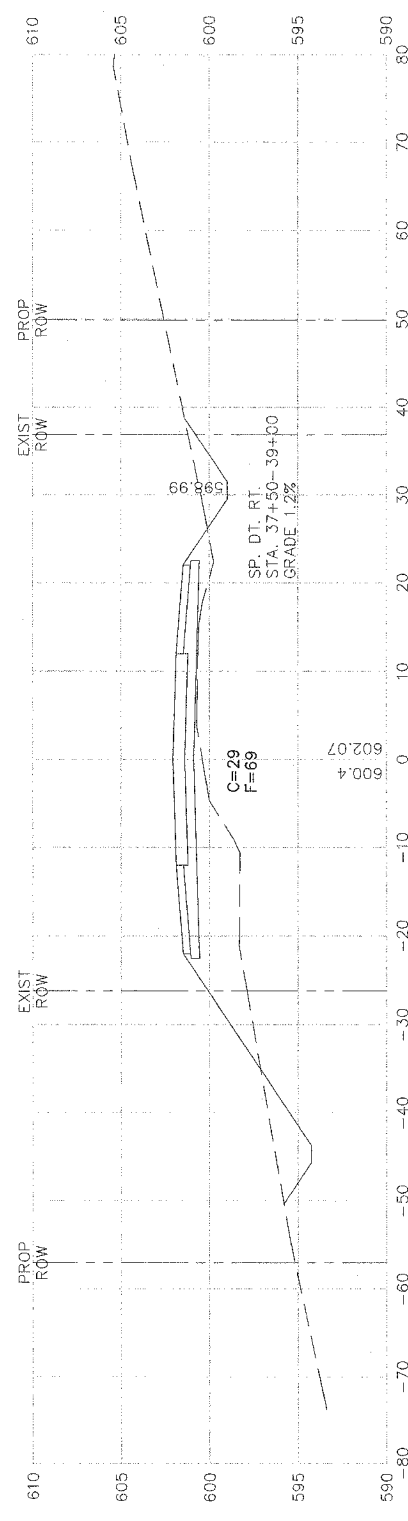


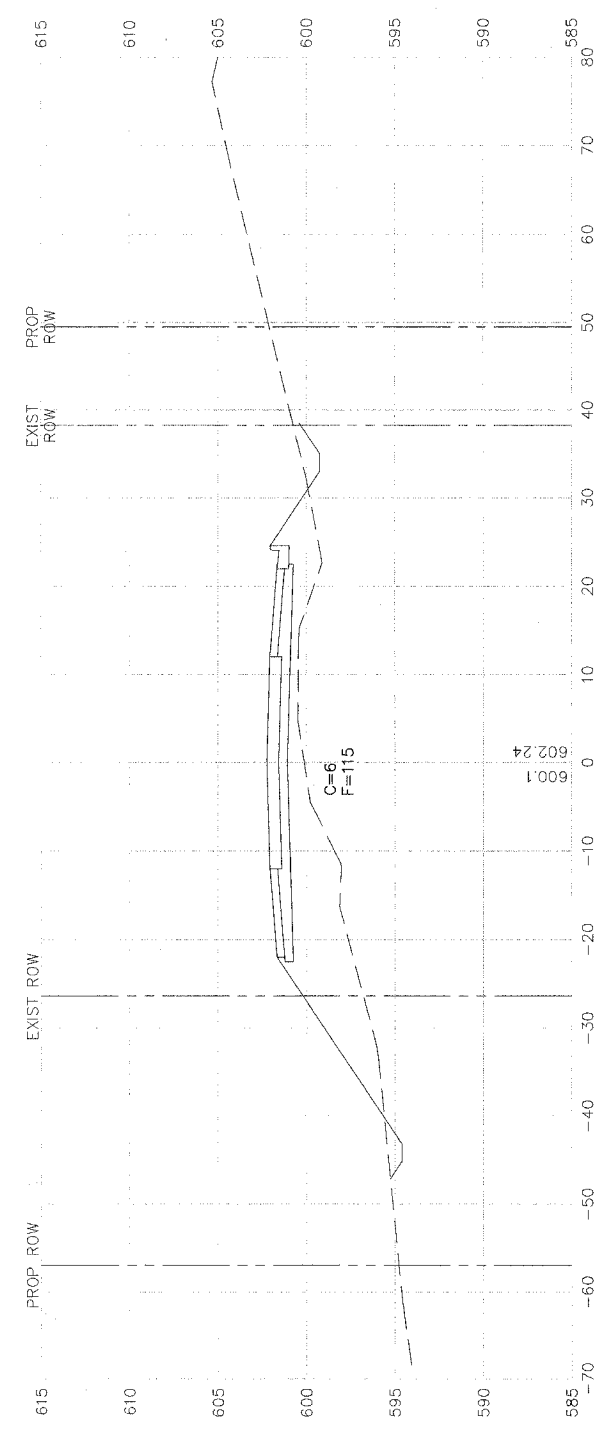
38+00



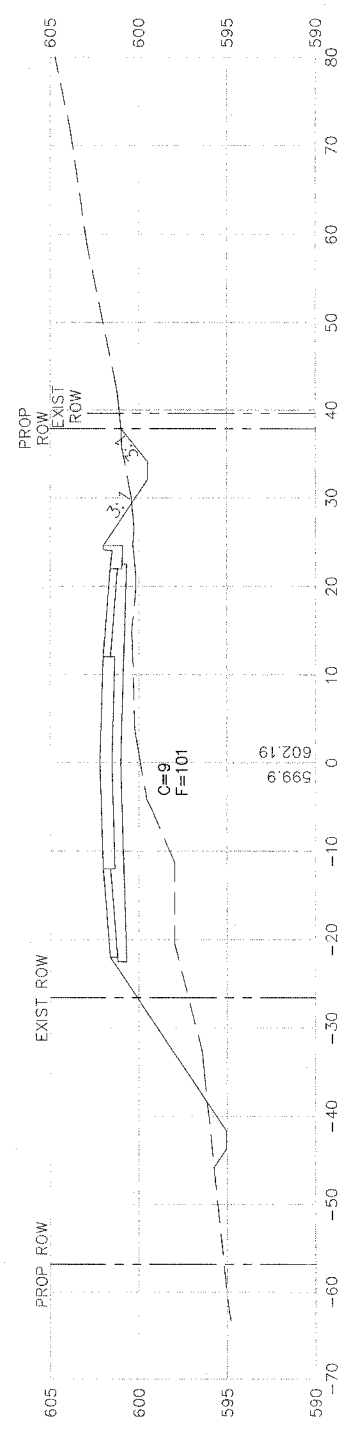
37+50



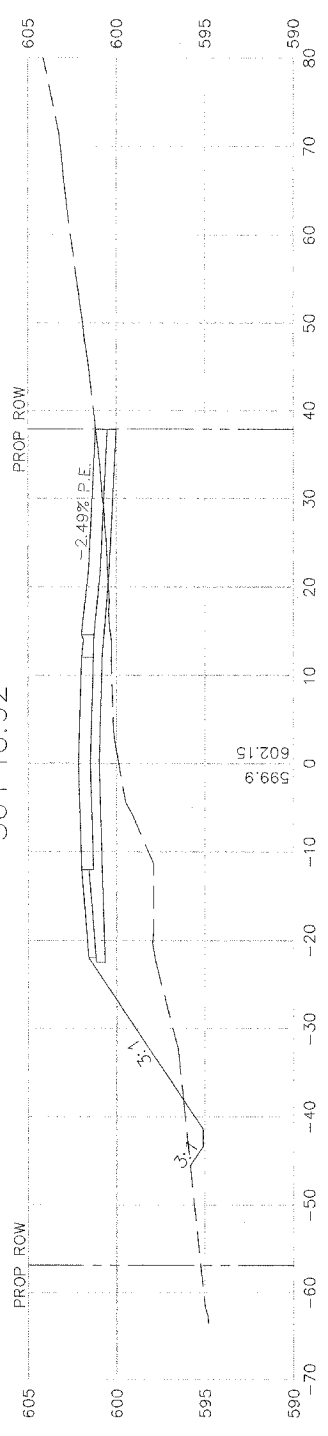
37+00



36+50



36+40.92



| REVISIONS | | DATE |
|-----------|-------------|------|
| No. | DESCRIPTION | |
| | | |
| | | |
| | | |
| | | |

Missman
 STANLEY & ASSOCIATES, P.C.
 Civil Engineering-Environmental Services-GIS-Landscape Architecture-Surveying
 1011 27th Avenue
 Rock Island, Illinois 61201-6040
 Phone (309) 788-7844 Fax (309) 788-7891

85th AVE WEST
 Rock Island, Illinois
85th Ave Cross Sections

Missman Project No:
 A04-T023
 File Name:
 2037A_Cross Sec.dwg
 © COPYRIGHT 2003
 ALL RIGHTS RESERVED
 Drawn By: wef
 Checked By: drm
 Date: MAY 8, 2006