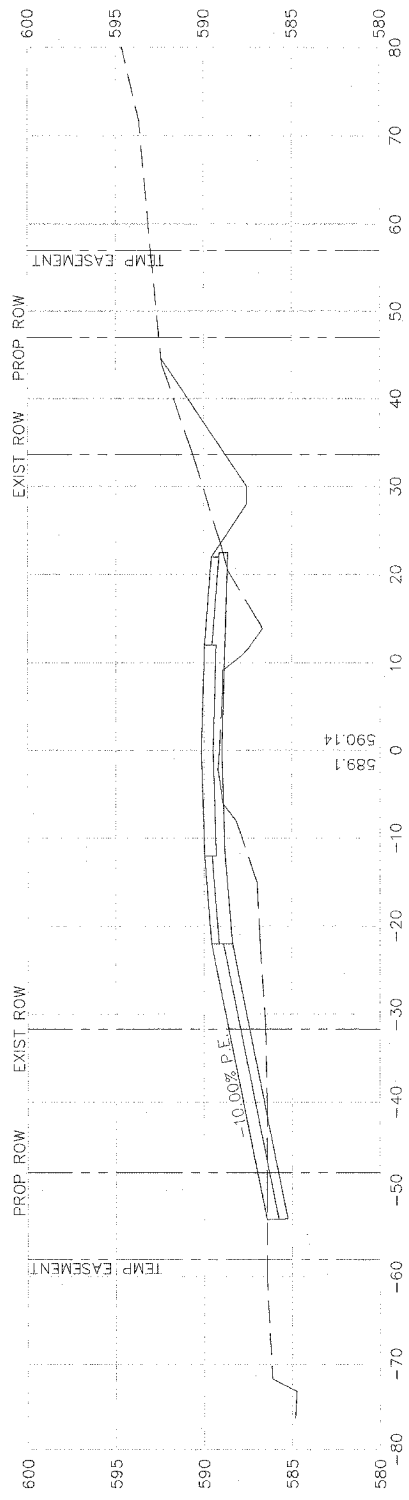
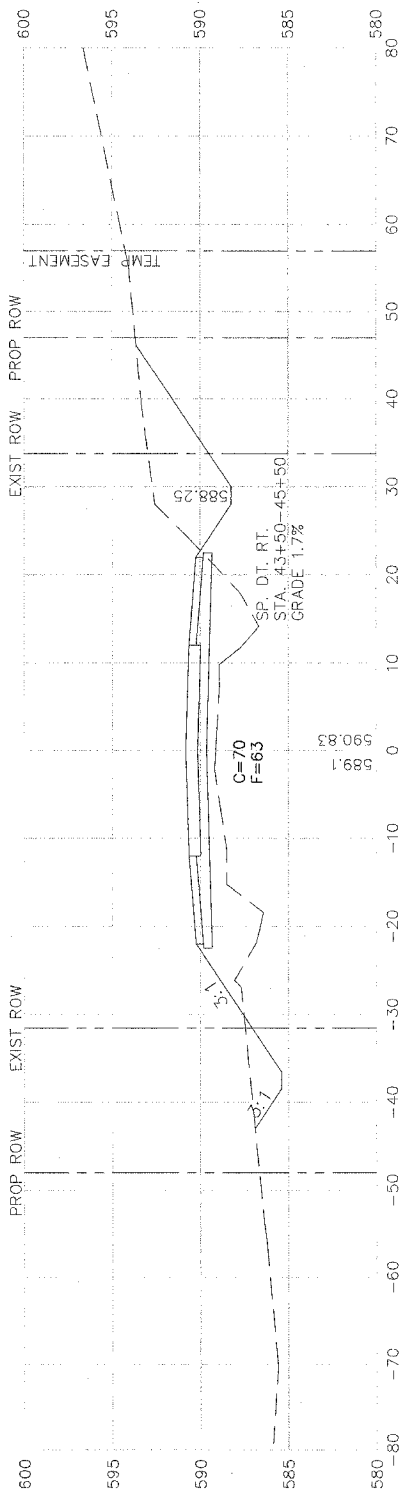


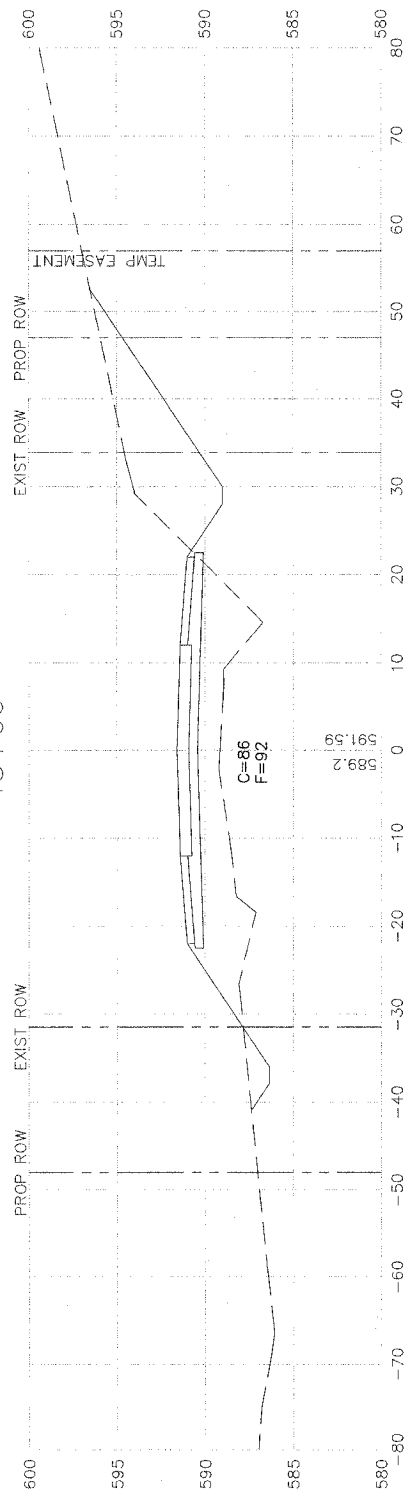
43+94.79



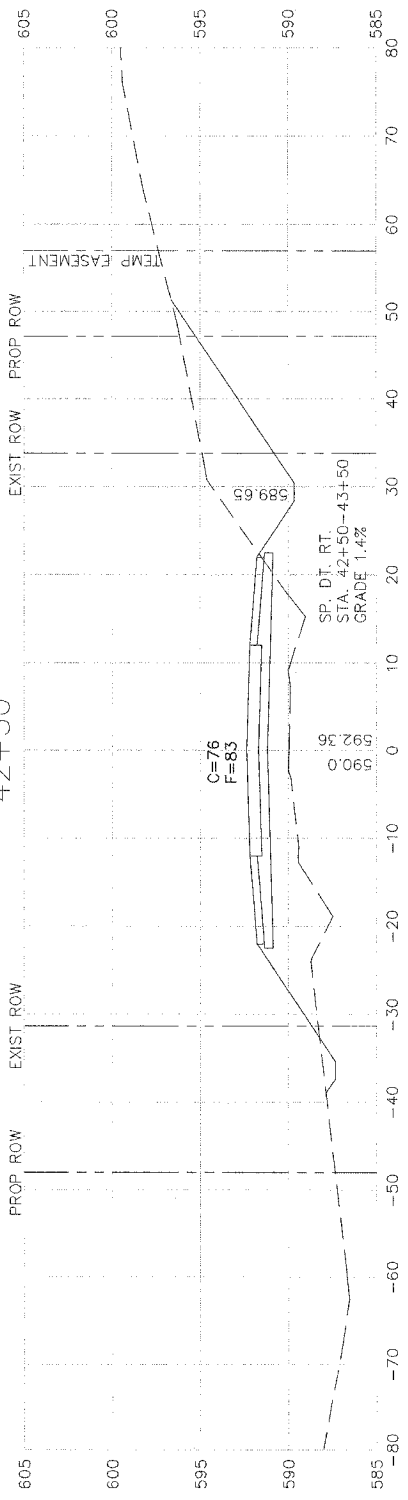
43+50



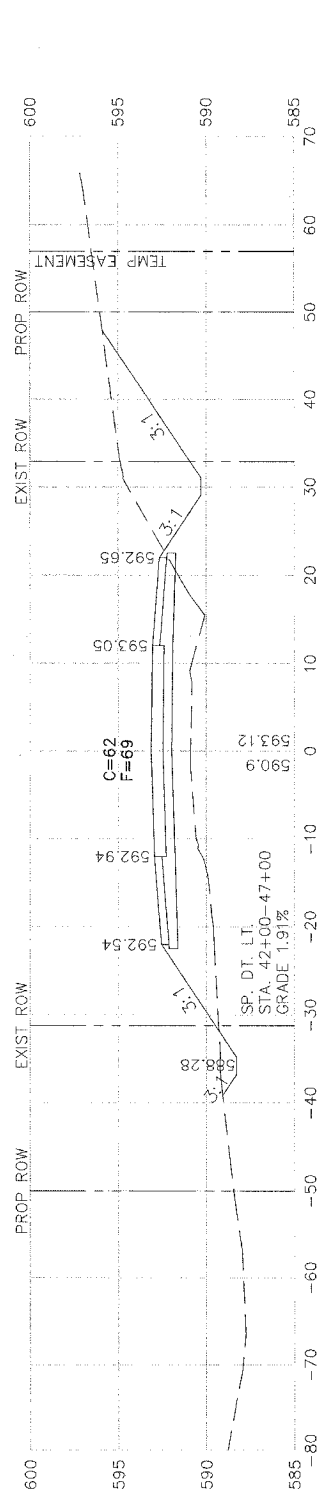
43+00



42+50



42+00



Missman Project No:  
A04-T023  
File Name:  
2037A\_Cross Sec.dwg  
© COPYRIGHT 2003  
ALL RIGHTS RESERVED  
Drawn By: wef  
Checked By: drm  
Date: MAY 8, 2006

85th AVE WEST  
Rock Island, Illinois  
85th Ave Cross Sections



REVISIONS		DATE
No.	DESCRIPTION	