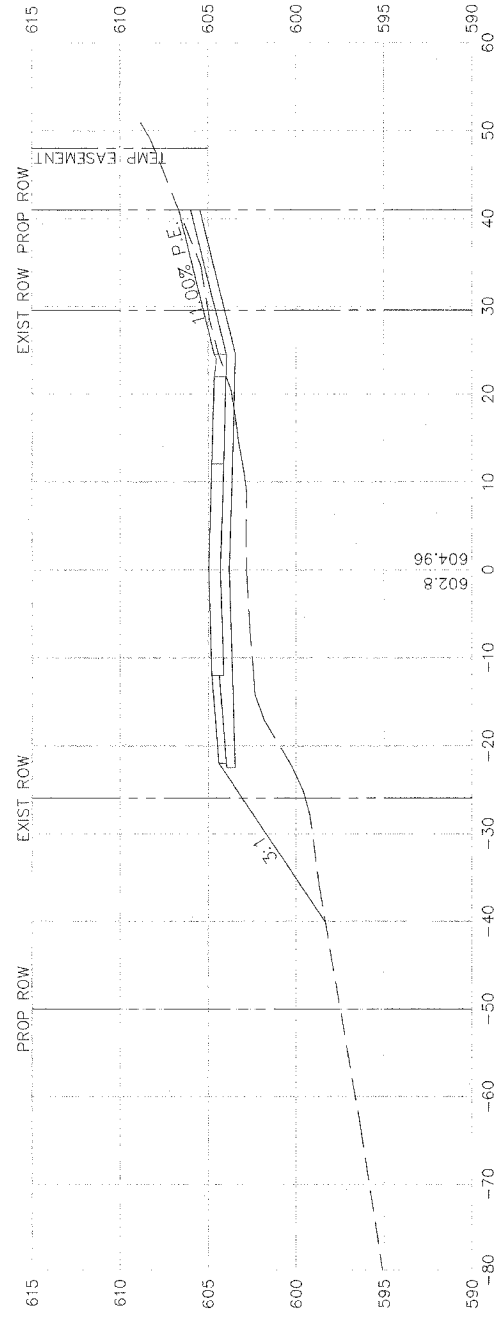
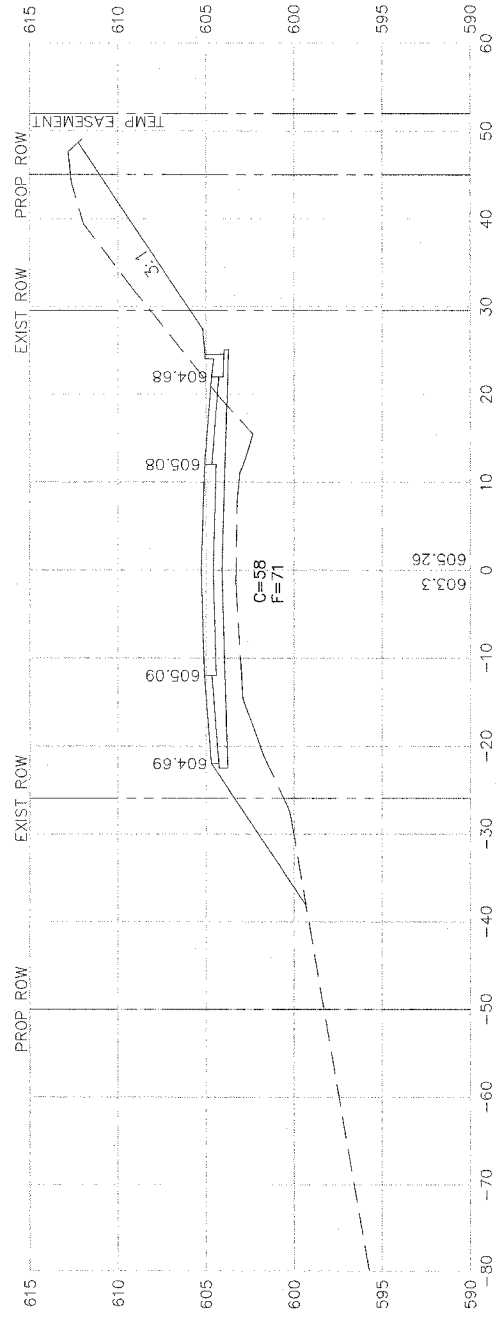


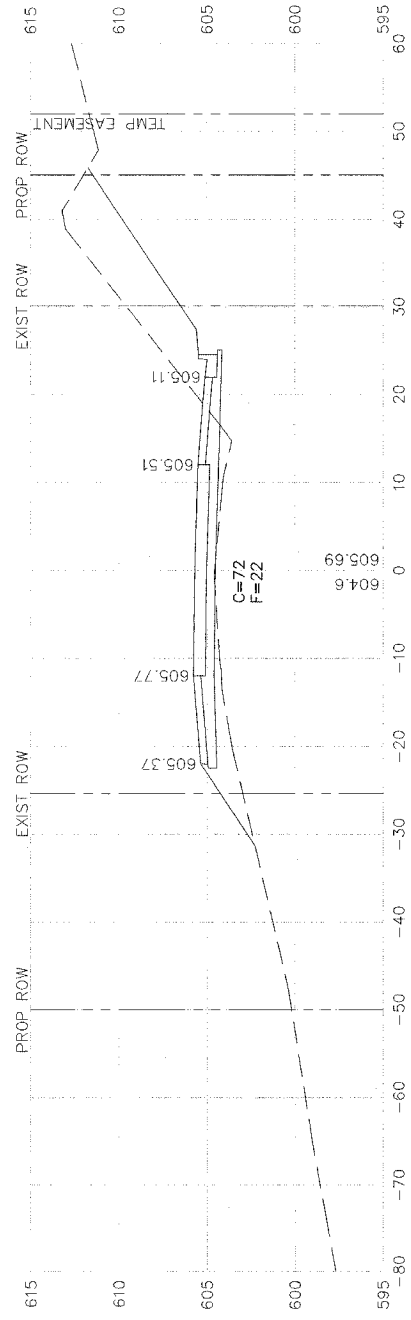
69+75



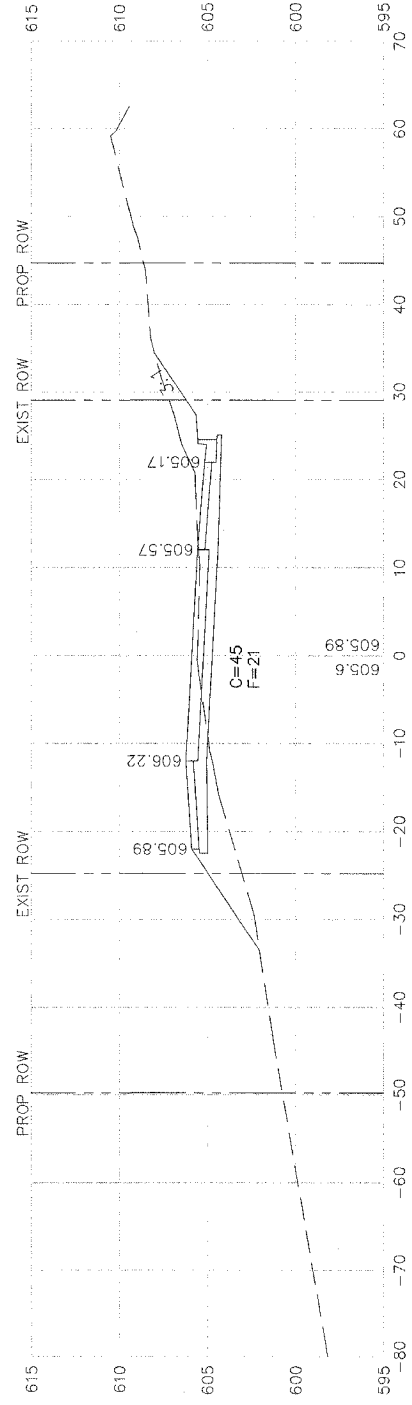
69+50



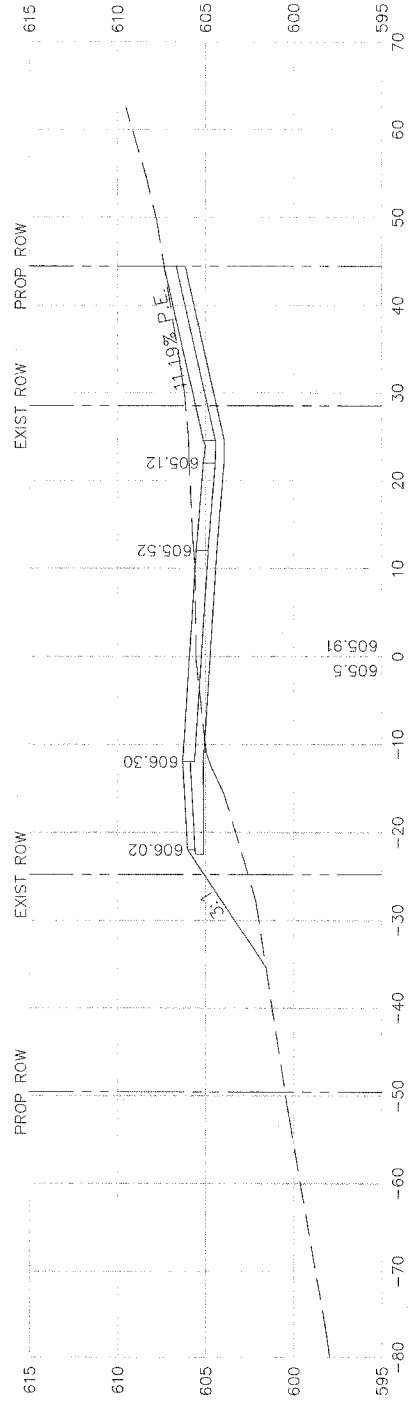
69+00



68+50



68+38



85th AVE WEST  
Rock Island, Illinois  
85th Ave Cross Sections

Missman Project No:  
A04-T023  
File Name:  
2037A\_Cross Sec.dwg  
© COPYRIGHT 2003  
ALL RIGHTS RESERVED  
Drawn By: wef  
Checked By: drm  
Date: MAY 8, 2006  
**77**  
Sheet 77 of 94



REVISIONS		DATE
No.	DESCRIPTION	