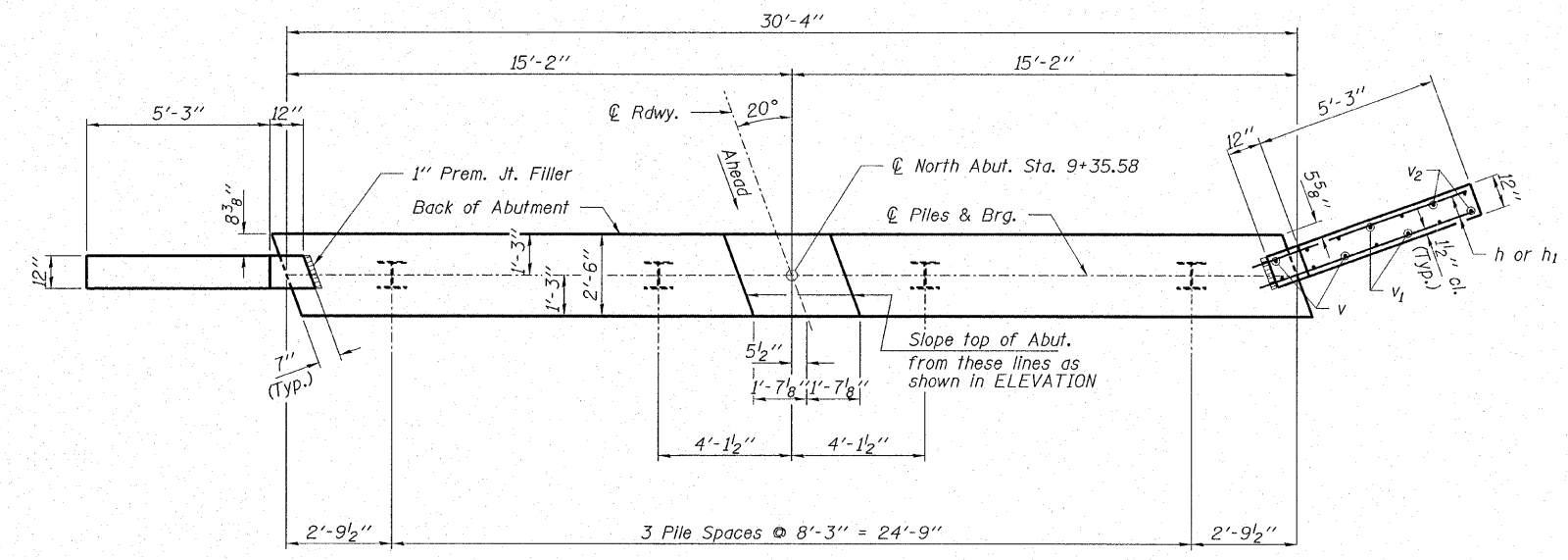
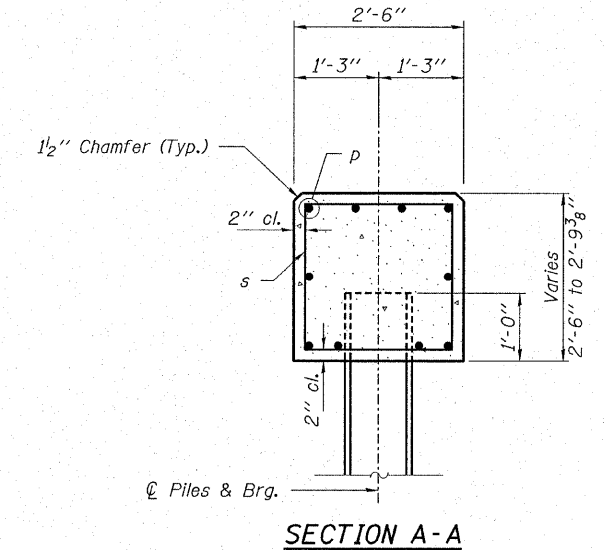


ROUTE NO. F.A.S. 690	SECTION 05-00261 -00-BR	COUNTY CLARK	TOTAL SHEETS 14	SHEET NO. 11
FED. ROAD DIST. NO.		ILLINOIS	FED. AID PROJECT	

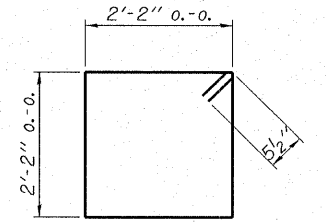
CONTRACT NO. 95480



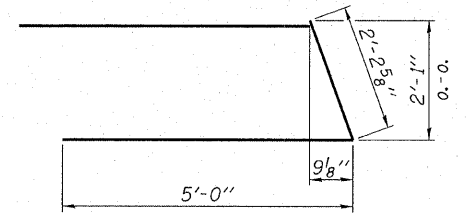
PLAN



SECTION A-A

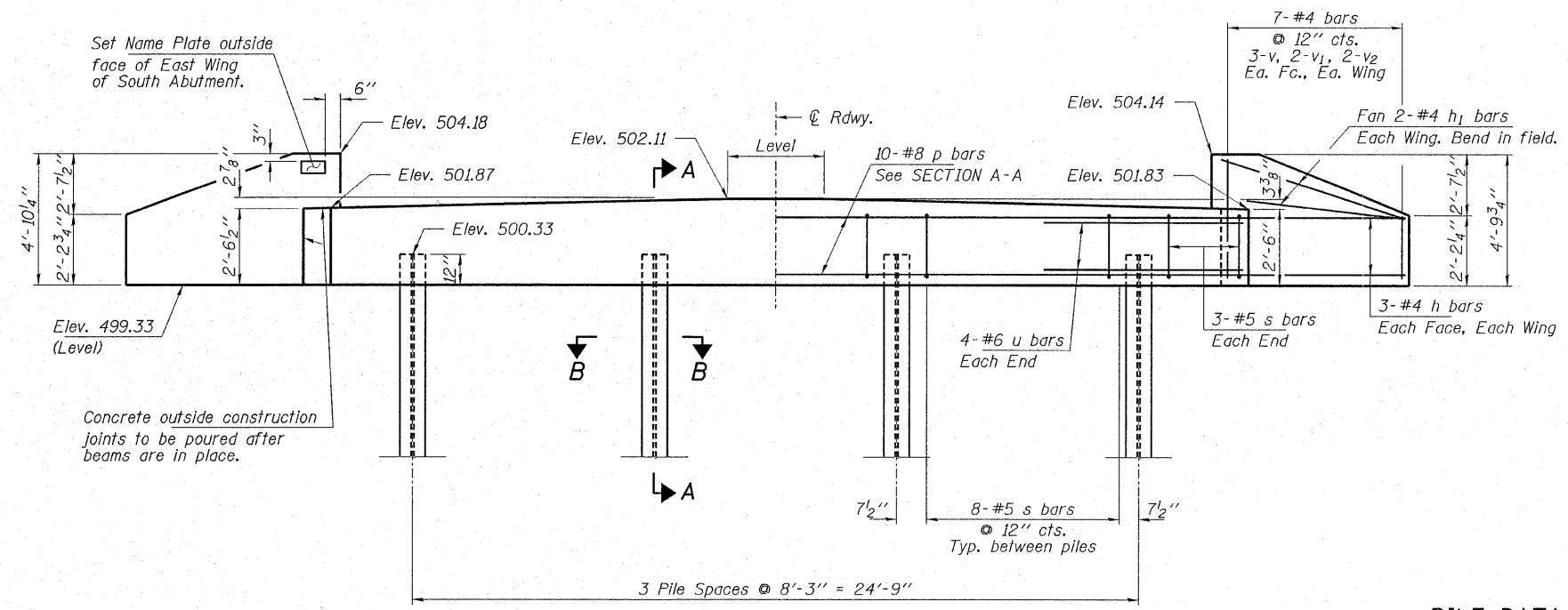


BAR s



BAR u

Note: Extend h bars into abut. cap.



ELEVATION
(Looking South)

PILE DATA

Type.....Steel HPI0x42
 No. Req'd.....4
 Capacity.....Drive To Refusal
 Est. Length.....20 Feet/Pile

BILL OF MATERIAL - S. ABUT.

BAR	NO.	SIZE	LENGTH	SHAPE
h	12	#4	7'-0"	—
h ₁	8	#4	6'-0"	—
p	10	#8	30'-0"	—
s	30	#5	9'-7"	□
u	8	#6	12'-3"	▤
v	12	#4	4'-0"	—
v ₁	8	#4	3'-0"	—
v ₂	8	#4	2'-0"	—
Concrete Structures		Cu. Yd.	9.1	
Reinforcement Bars		Pound	1,400	
Furnishing Steel Piles HPI0x42		Foot	80	
Driving Steel Piles		Foot	80	
Name Plates		Each	1	

HLR
 HAMPTON, LENZINI & RENWICK, INC.
 CIVIL & STRUCTURAL ENGINEERS
 3085 STEVENSON DRIVE, SUITE 201
 SPRINGFIELD, ILLINOIS 62703
 (217) 546-3400
 ELGIN • SPRINGFIELD • DUQUOIN
 PROJECT NUMBER: 12-23-0025-1 DATE: 05/10/06
 DESIGNED: J.W.F. CHECKED: S.W.M. DRAWN: D.T.M.

SOUTH ABUTMENT
 SECTION 05-00261-00-BR
 F.A.S. 690 / C.H. 22 / FOX ROAD
 CLARK COUNTY
 STRUCTURE NO. 012-3333 / STATION 10+00