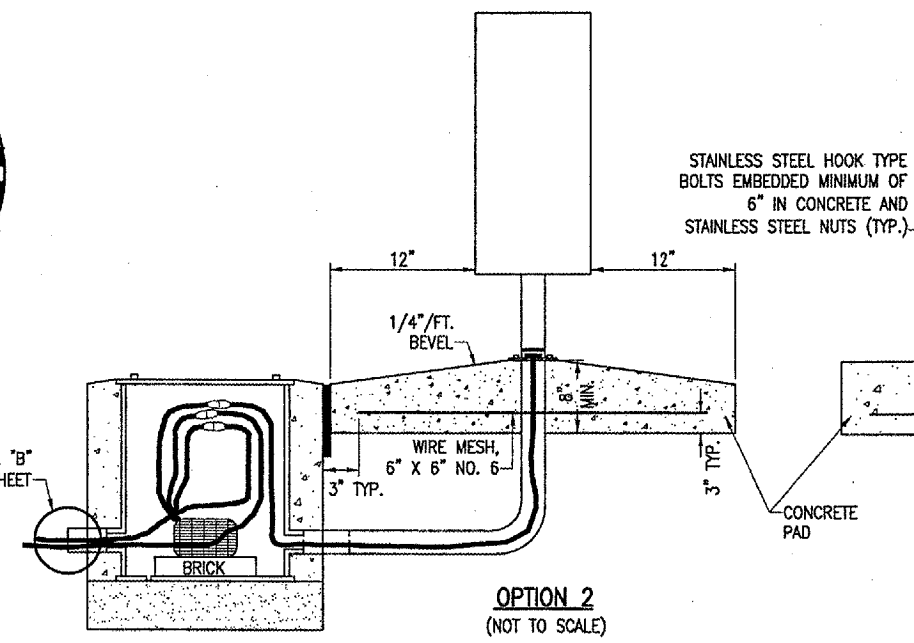
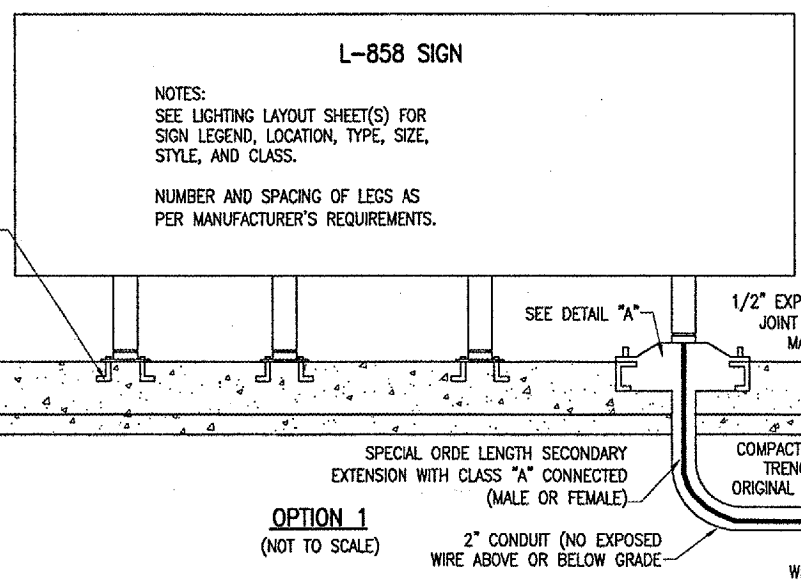


DETAIL "B"
(NOT TO SCALE)

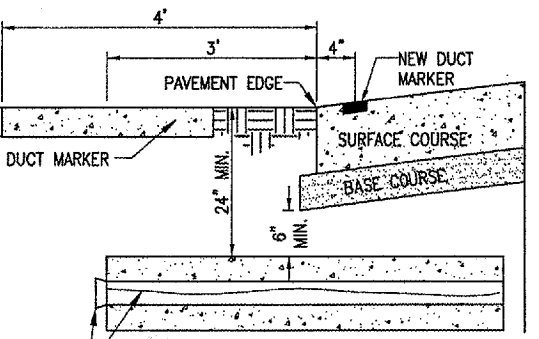
SEE DETAIL "B" ON THIS SHEET



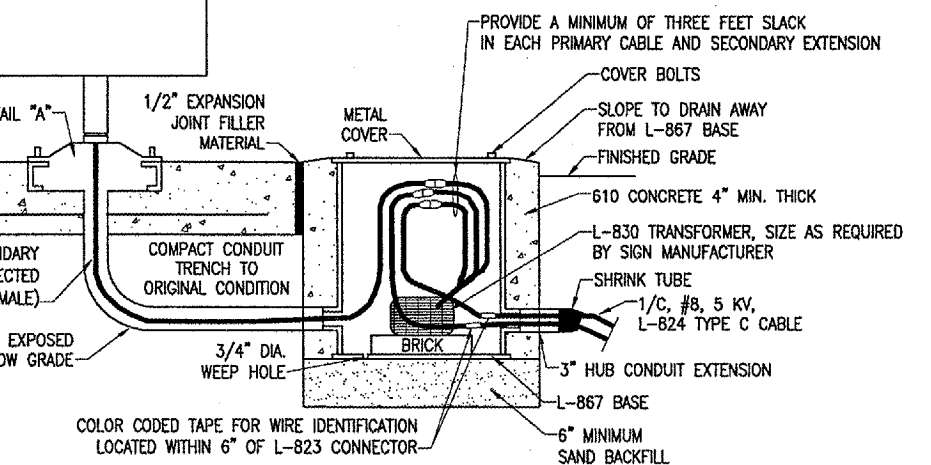
OPTION 2
(NOT TO SCALE)



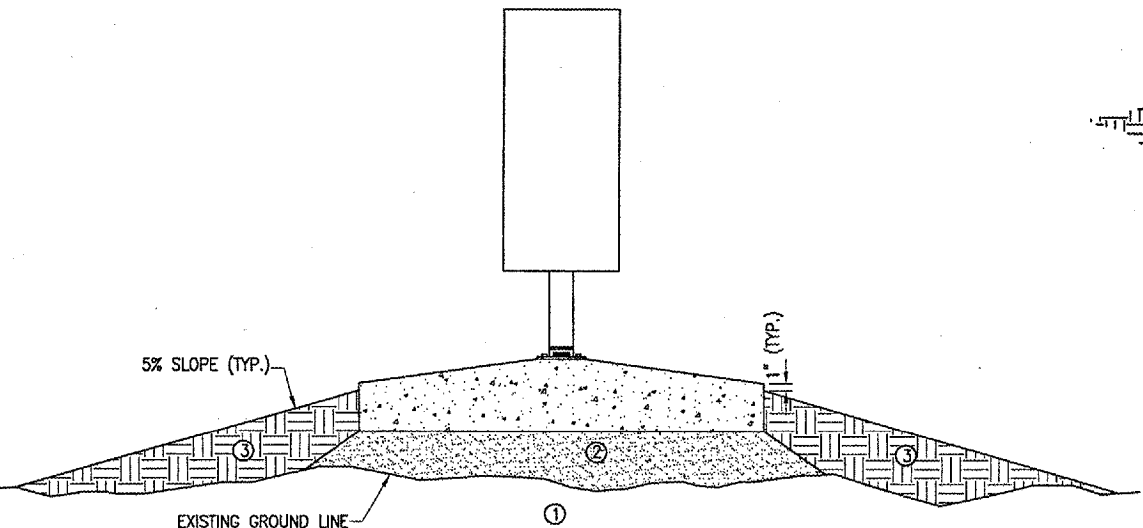
OPTION 1
(NOT TO SCALE)



UNDERGROUND ELECTRICAL DUCT
(NOT TO SCALE)

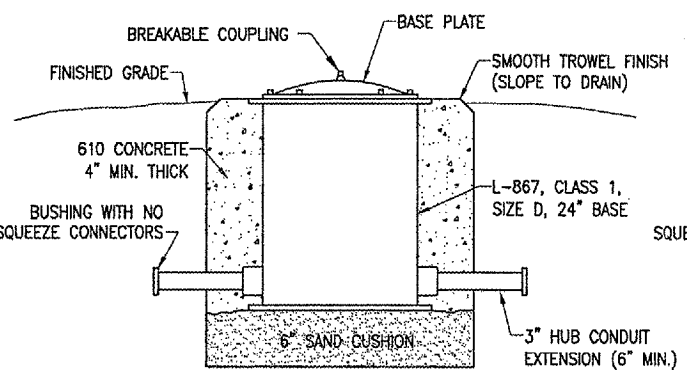


DETAIL "A"
(NOT TO SCALE)

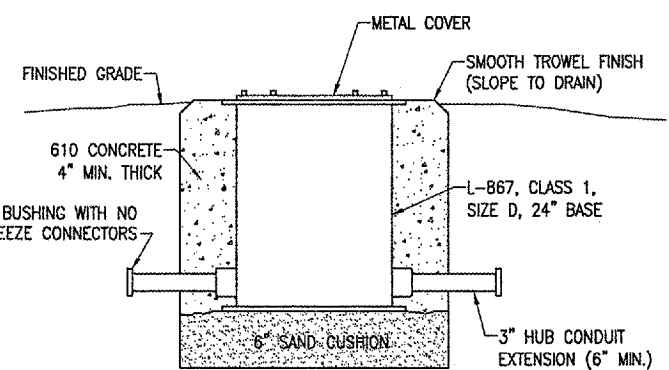


SIGN DETAIL
(NOT TO SCALE)

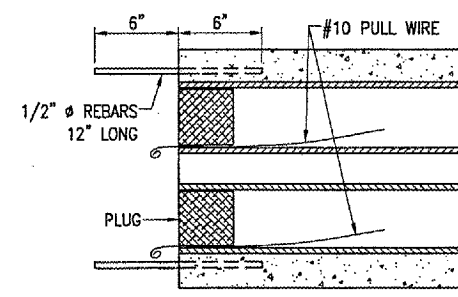
- ① EXISTING SOD TO BE STRIPPED AND REMOVED
- ② SAND BACKFILL, VARIABLE DEPTH
- ③ PROPOSED TOPSOIL BACKFILL MATERIAL



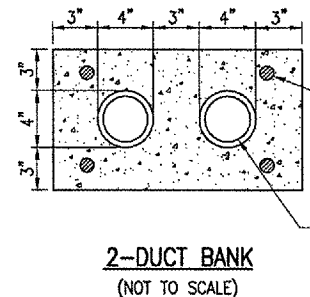
REIL BASE DETAIL
(NOT TO SCALE)



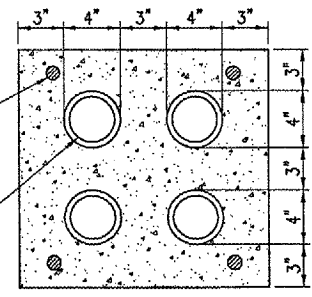
SPLICE CAN DETAIL
(NOT TO SCALE)



TYPICAL SECTION
(NOT TO SCALE)



2-DUCT BANK
(NOT TO SCALE)



4-DUCT BANK
(NOT TO SCALE)

GENERAL NOTES

SEE LIGHTING LAYOUT SHEET FOR SIGN LEGEND, LOCATION, TYPE, SIZE, STYLE, AND CLASS.
SEE SHEETS 10 THROUGH 11 FOR ELECTRICAL NOTES.

L-858 SIGN

NOTES:
SEE LIGHTING LAYOUT SHEET(S) FOR SIGN LEGEND, LOCATION, TYPE, SIZE, STYLE, AND CLASS.
NUMBER AND SPACING OF LEGS AS PER MANUFACTURER'S REQUIREMENTS.

THE LOCATION OF UNDERGROUND UTILITIES AS INDICATED ON THE PLANS HAS BEEN OBTAINED FROM EXISTING RECORDS. NEITHER THE OWNER NOR THE ENGINEER ASSUMES ANY RESPONSIBILITY WHATSOEVER, IN RESPECT TO THE ACCURACY OR SUFFICIENCY OF THE INFORMATION AND THERE IS NO GUARANTEE, EITHER EXPRESSED OR IMPLIED, THAT THE CONDITIONS ARE REPRESENTATIVE OF THOSE TO BE ENCOUNTERED IN THE CONSTRUCTION.

REVISION	DATE	BY

QUINCY REGIONAL AIRPORT
BALDWIN FIELD
ADAMS COUNTY, ILLINOIS



HEL Project No. 824-06RWYD 0240	BAK	06/06/06
Element R-541ELE.DWG	BAK	06/06/06
Scale NOT TO SCALE	BAK	06/06/06
Date 06/06/06	CAH	06/15/06
LAYOUT		
DRAWN		
REVIEWED		



RUNWAY 13-31 SAFETY AREA IMPROVEMENTS
PROPOSED ELECTRICAL DETAILS