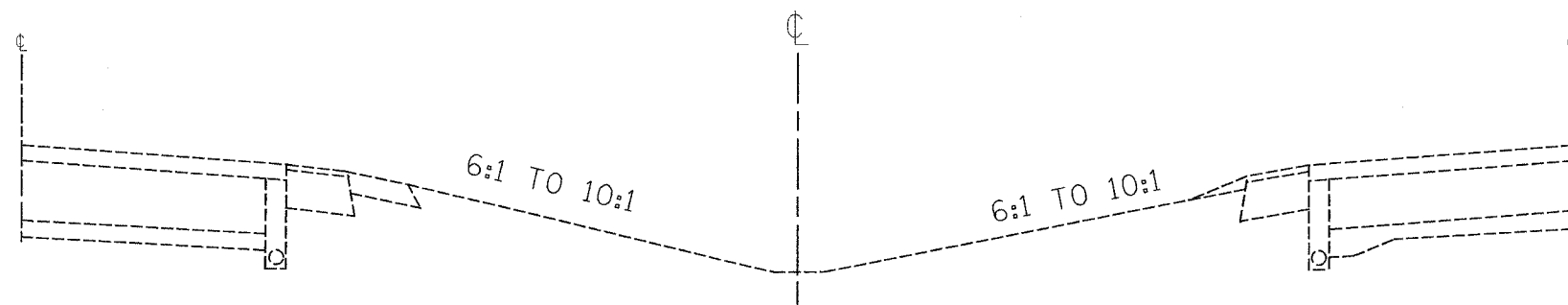
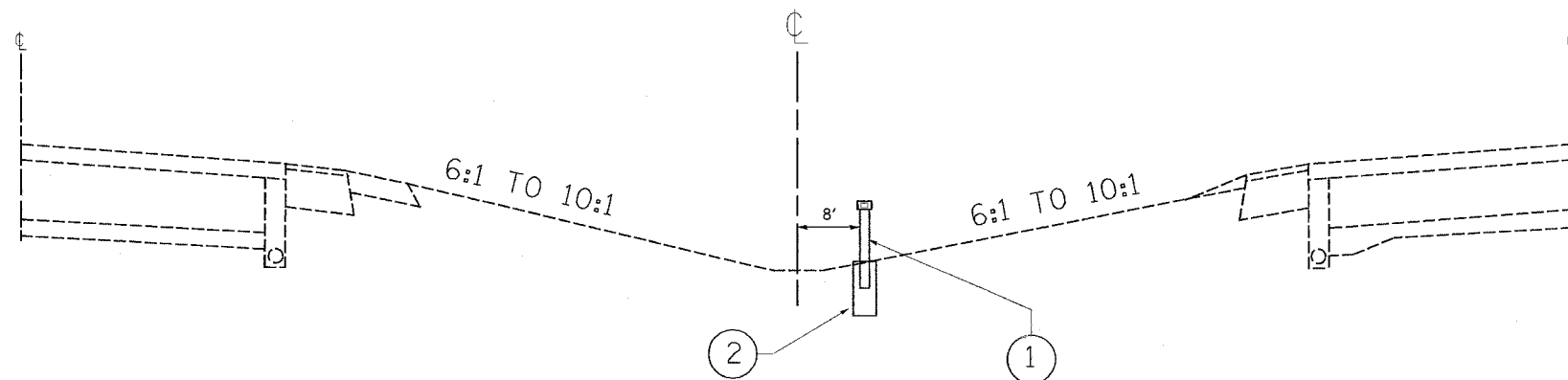


F. & L. RTE.	SECTION	COUNTY	TOTAL SHEETS	SHEET NO.
55	2005-040 GRR	WILL	14	4
STA.		TO STA.		
FED. ROAD DIST. NO. 1		ILLINOIS		
		FED. AID PROJECT		
CONTRACT 60A11				



I-55  
EXISTING TYPICAL CROSS SECTION  
STA 92+00 TO STA 196+00



I-55  
PROPOSED TYPICAL CROSS SECTION  
STA 92+00 TO STA 196+00

**NOTES:**

1. POST SPACING, FOUNDATION SIZE AND END ANCHORAGE SHALL BE IN ACCORDANCE WITH MANUFACTURER'S SPECIFICATIONS.
2. A PRESMAIC REFLECTOR (YELLOW) SHALL BE PLACED ON BOTH SIDES OF THE POST CAB AT 100 FT. SPACING. THIS WORK SHALL BE INCLUDED IN THE COST OF THE HIGH TENSION CABLE MEDIAN BARRIER SYSTEM.
3. TERMINAL SECTIONS FOR THE CABLE GUARD RAIL SHALL BE IN ACCORDANCE WITH THE MANUFACTURER'S SPECIFICATIONS AND SHALL BE INCLUDED IN THE COST OF THE HIGH TENSION CABLE MEDIAN BARRIER SYSTEM.

**LEGEND**

- ① HIGH TENSION CABLE MEDIAN BARRIER SYSTEM
- ② CONCRETE FOUNDATION - INCLUDED IN THE COST OF THE HIGH TENSION CABLE MEDIAN BARRIER SYSTEM

REVISIONS	
NAME	DATE

ILLINOIS DEPARTMENT OF TRANSPORTATION

**TYPICAL SECTIONS**

SCALE: NONE  
DATE: 7/8/2005

DRAWN BY: HMO  
CHECKED BY: \_\_\_\_\_