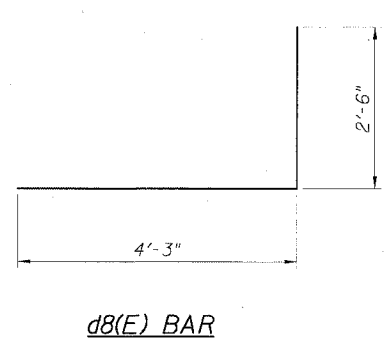
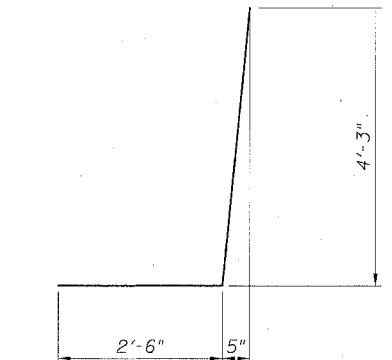
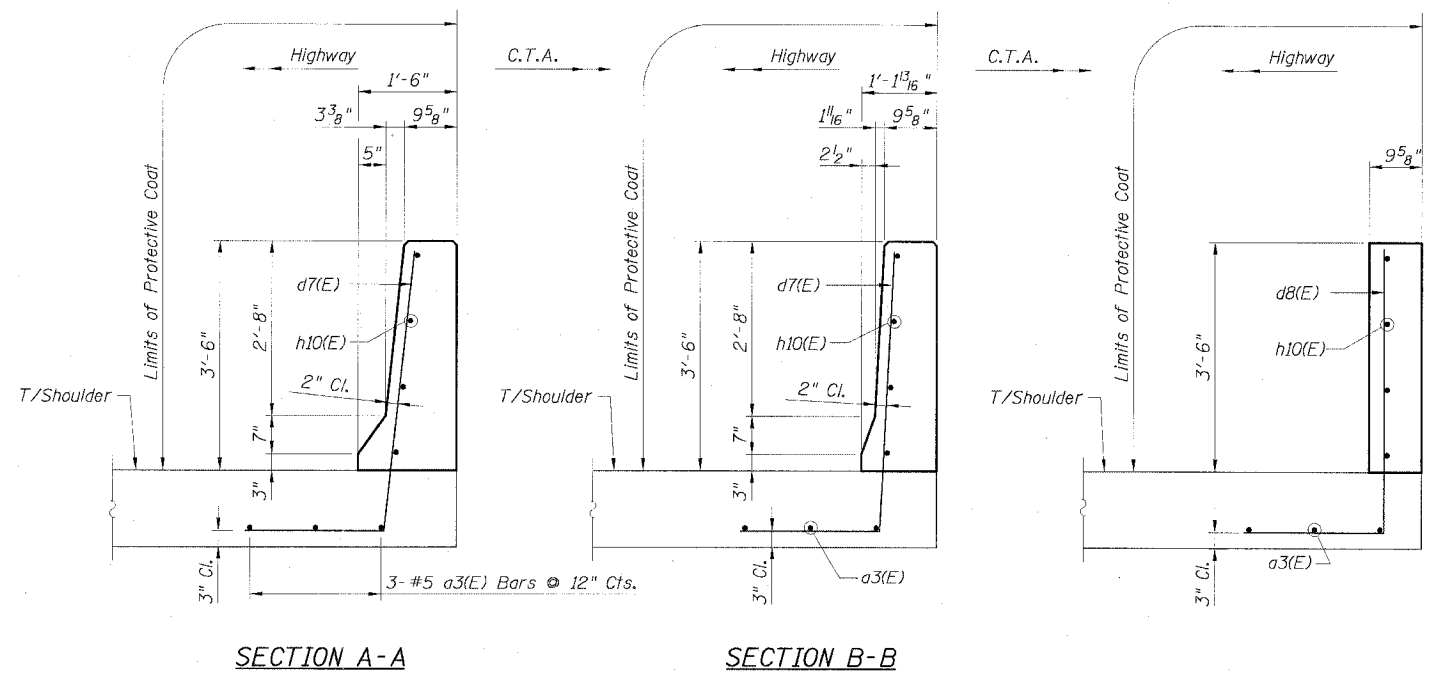
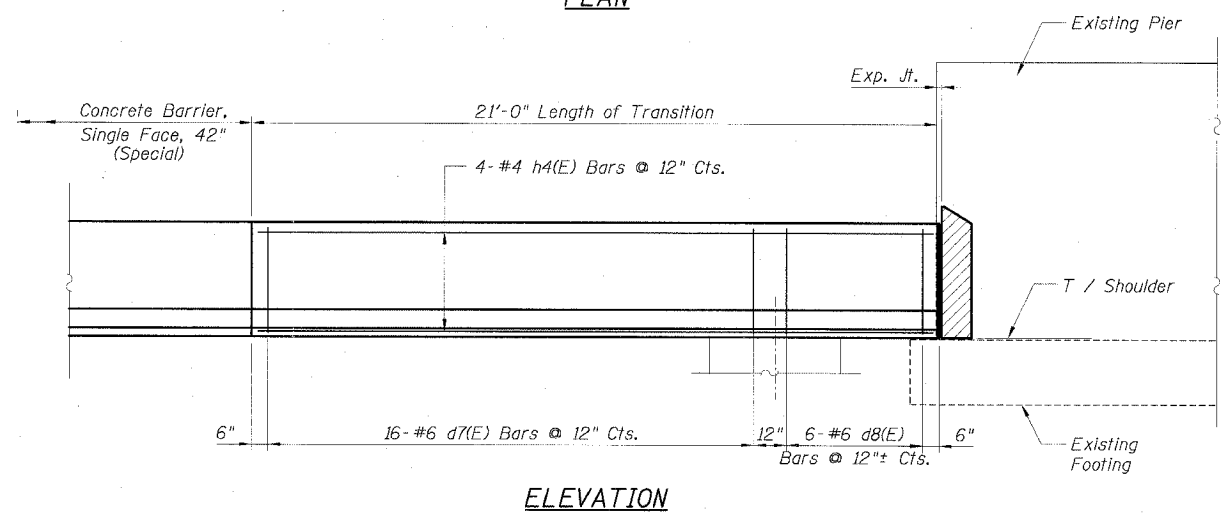
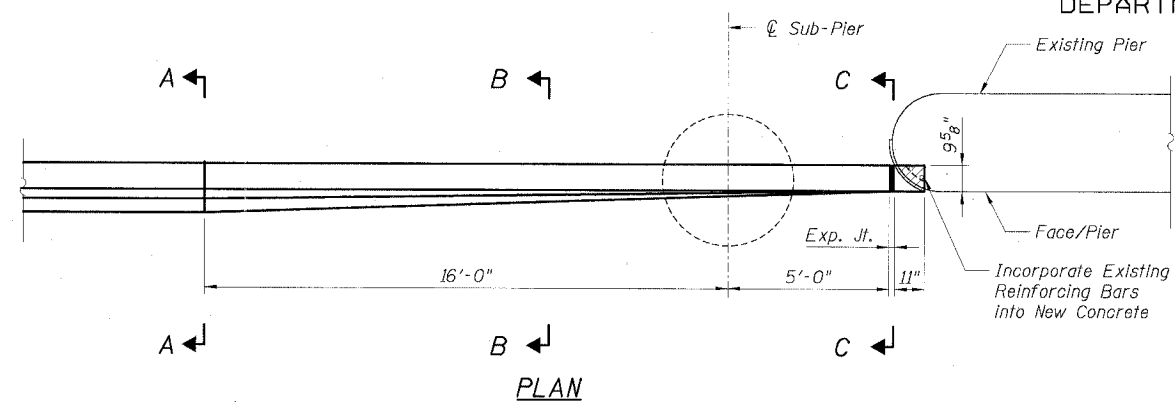


STATE OF ILLINOIS
DEPARTMENT OF TRANSPORTATION

F.A.I. R.T.E.	SECTION	COUNTY	TOTAL SHEETS	SHEET NO.
90/94		COOK	598	424
STA.		TO STA.		
FED. ROAD DIST. NO. 1		ILLINOIS FED. AID PROJECT		
• (B18, ETC, 2324.6-1)IR-9		62302		

**BILL OF MATERIAL
FOR ONE TRANSITION**

Bar	No.	Size	Length	Shape
a3(E)	3	#5	20'-8"	—
d7(E)	15	#6	6'-9"	—
d8(E)	5	#6	6'-9"	—
h10(E)	4	#4	20'-8"	—
Item	Unit	Quantity		
Reinforcement Bars, Epoxy Coated	Lbs.	365		
Concrete Structures	Cu. Yd.	2.7		
Protective Coat	Sq. Yd.	11		
Concrete Removal	Cu. Yd.	0.1		



LEGEND:
 Concrete Removal

- NOTES:**
1. Provide joints in facing to match those in the existing barrier.
 2. For Concrete Barrier, Single Face, 42" (Special), see Civil details.
 3. For locations of Transition, see Roadway Plans.

REVISIONS		NAME	DATE
NO.	DESCRIPTION		

Sheet B16 of 18

ILLINOIS DEPARTMENT OF TRANSPORTATION
F.A.I. 90/94 (DAN RYAN EXPRESSWAY)
EXISTING BARRIER WALL MODIFICATIONS
AT CTA STATIONS
PROP. T/SOULDER ABOVE OR BELOW EXISTING
NEW 42" BARRIER TO PIER
TRANSITION DETAILS

SCALE: None DRAWN BY: CHD
DATE: JULY 7, 2005 CHECKED BY: RDP

CTE AECOM
311 East Wacker Drive, Suite 400, Chicago, Illinois 60601-5076
 T 312.538.8200 F 312.538.8102 www.cteaecom.com

06/24/2005 02:24:04 PM