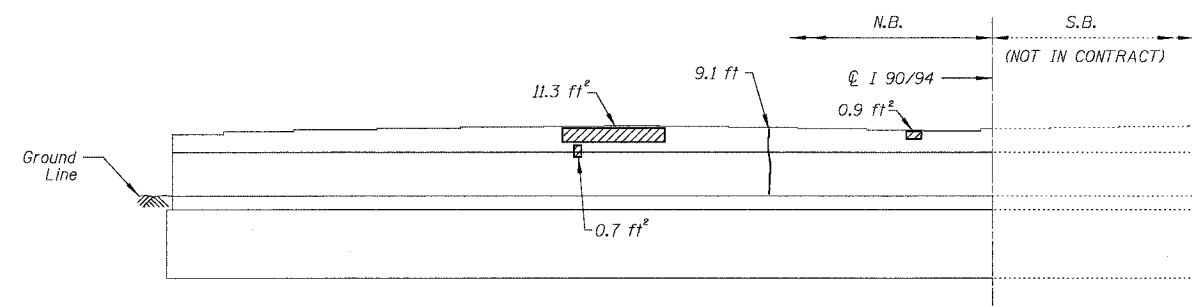
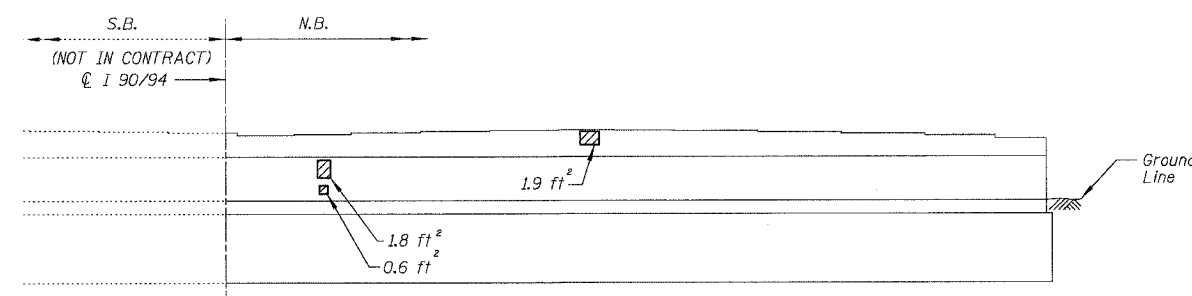


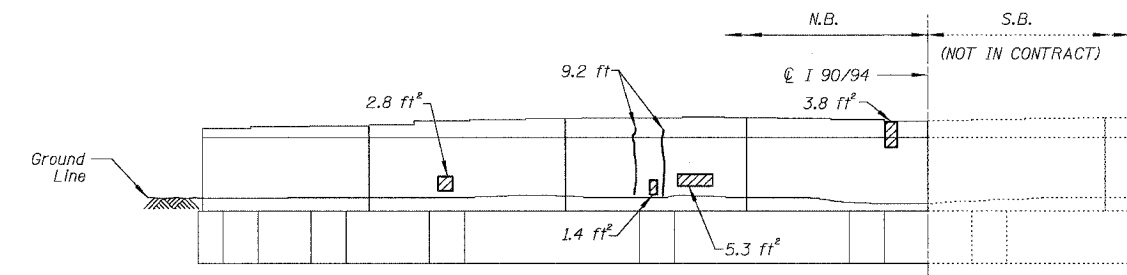
F.A.I.	SECTION	COUNTY	TOTAL SHEETS	SHEET NO.
94/90	2003-028F	COOK	419	298
STA.		TO STA.		
FED. ROAD DIST. NO.		ILLINOIS FED. AID PROJECT		
62580				



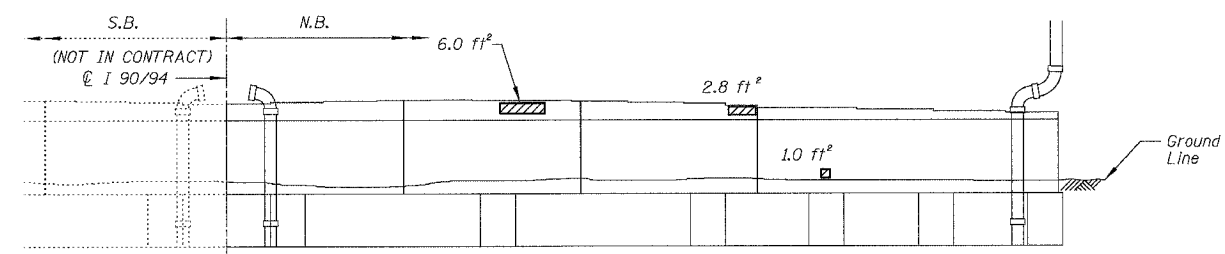
**PIER 22 - NORTH ELEVATION**  
(Looking South)



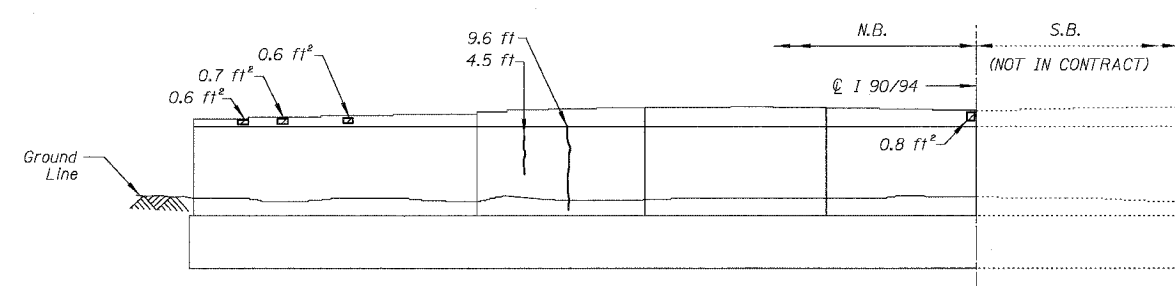
**PIER 22 - SOUTH ELEVATION**  
(Looking North)



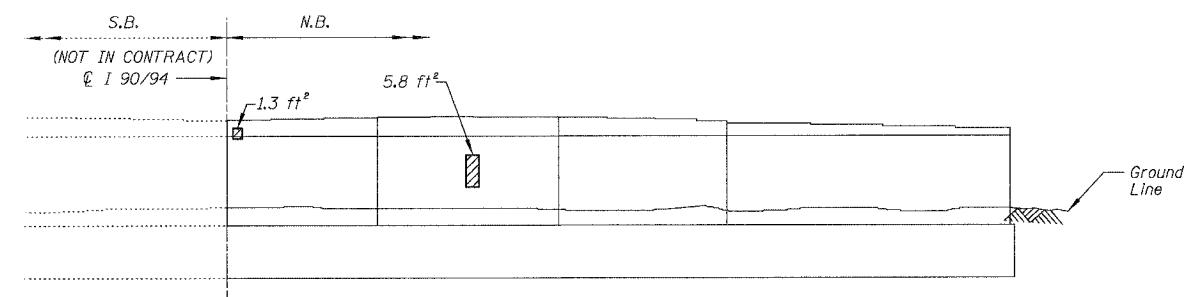
**PIER 21 - NORTH ELEVATION**  
(Looking South)



**PIER 21 - SOUTH ELEVATION**  
(Looking North)



**PIER 20 - NORTH ELEVATION**  
(Looking South)



**PIER 20 - SOUTH ELEVATION**  
(Looking North)

BOWMAN, BARRETT & ASSOCIATES INC.  
CONSULTING ENGINEERS  
Chicago, Illinois  
312 228-0100  
www.bbainc.com

For Notes and Legend See Sheet 253

**BILL OF MATERIAL**

ITEM	UNIT	QUANTITY
High Performance Enhanced Shotcrete	SQ. FT.	57.7
Epoxy Crack Sealing	FOOT	47.9

REVISIONS	
NAME	DATE

ILLINOIS DEPARTMENT OF TRANSPORTATION  
F.A.I. 94/90 (DAN RYAN EXPRESSWAY)  
NB DAN RYAN ELEVATED BRIDGE  
REPAIR FROM 15TH TO 28TH STREETS  
CONCRETE PIER REPAIRS  
SN 016-0137, PIERS 20, 21 & 22  
SCALE: NTS  
DATE: 7/22/2005  
DRAWN BY: BDC  
CHECKED BY: BLU