

ROUTE	SECTION	COUNTY	TOTAL SHEETS	SHEET NUMBER
VARIOUS	2004-089 I	COOK	27	4

CONTRACT 62833

NOTES:

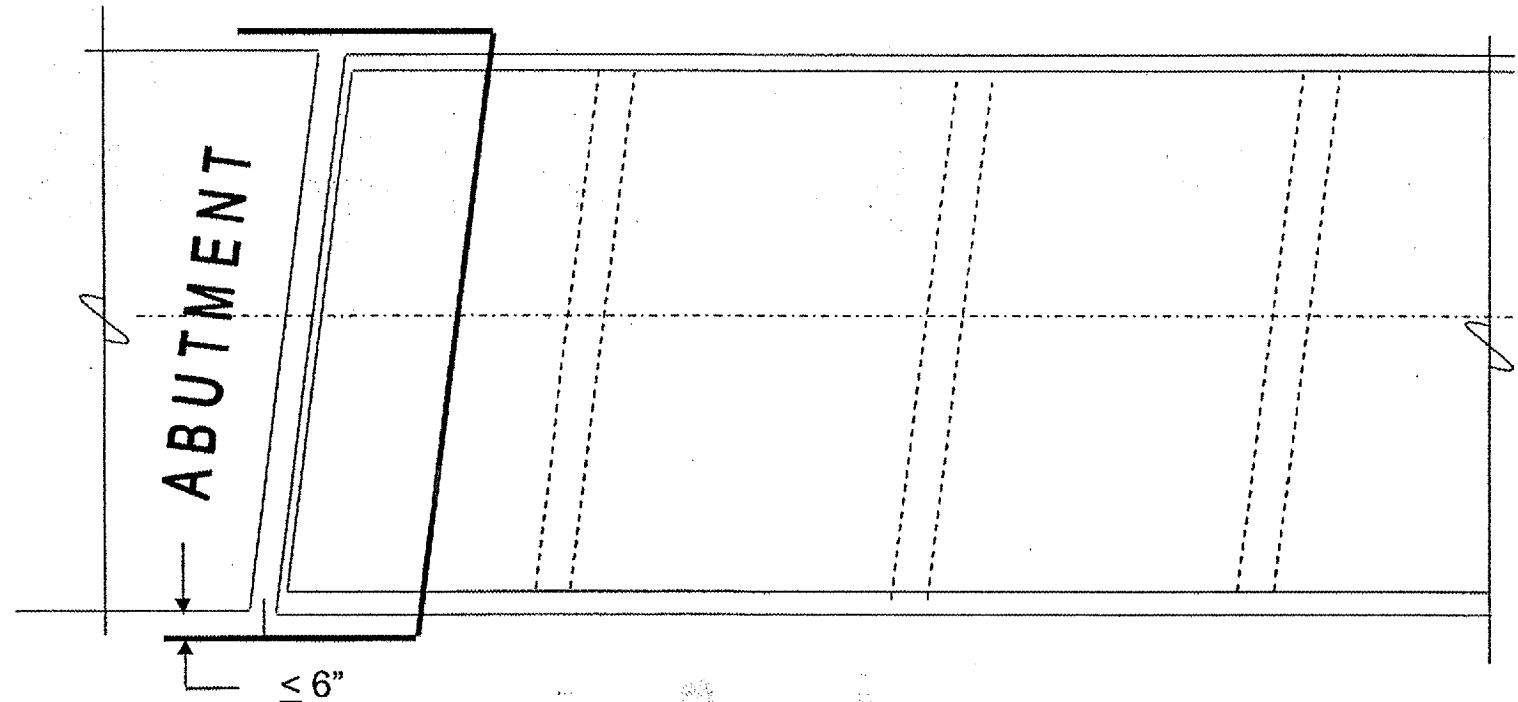
ALL FENCE SHALL BE 8' UNLESS OTHERWISE NOTED ON PLANS.

A 12" CLEARANCE BETWEEN THE TOP OF THE FENCE AND THE BOTTOM OF THE BRIDGE DECK FLOOR/BEAM, SHALL BE MAINTAINED FOR THE PURPOSE OF FUTURE BRIDGE MAINTENANCE.

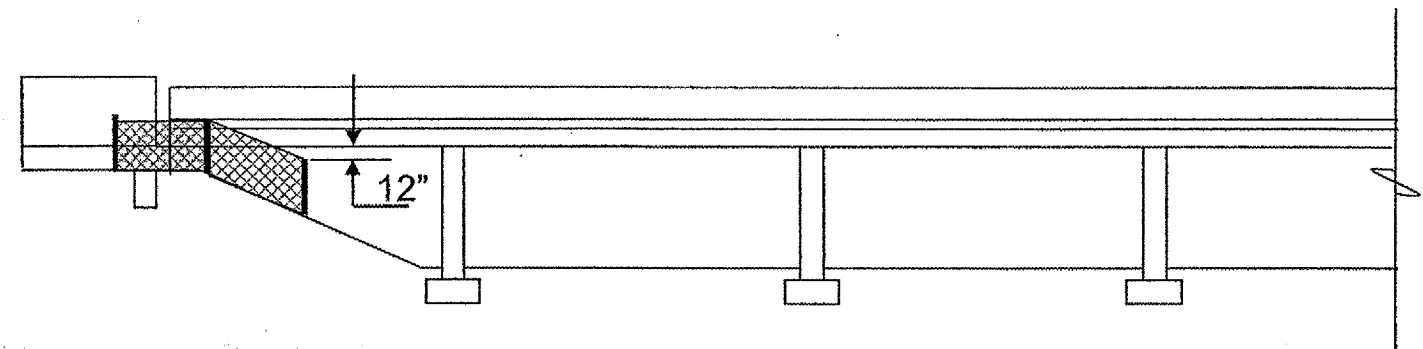
A 4" CLEARANCE BETWEEN THE BOTTOM OF THE FENCE AND THE SLOPE WALL SHALL BE MAINTAINED FOR THE PURPOSE OF FUTURE CLEANING AND FLUSHING OF THE ENCLOSED AREA.

THE END POST SHALL BE WITHIN 6" OR LESS FROM THE ABUTMENT.

THE INTENT OF THIS CONTRACT IS TO DENY ACCESS OF ANY UNAUTHORIZED PERSONNEL UNDER THE BRIDGE. ACTUAL FENCE INSTALLATIONS MUST BE APPROVED BY THE ENGINEER.



TYPICAL PLAN VIEW



TYPICAL ELEVATION VIEW

ILLINOIS DEPARTMENT OF TRANSPORTATION

TYPICAL DRAWINGS