

STATE OF ILLINOIS  
DEPARTMENT OF TRANSPORTATION

ROUTE NO.	SECTION	COUNTY	TOTAL SHEETS	SHEET NO.	SHEET NO. 4 7 SHEETS
S.B.L. P. & P. 200	X	COOK	72	50	

\*2004-108 BR Contract No. 62853

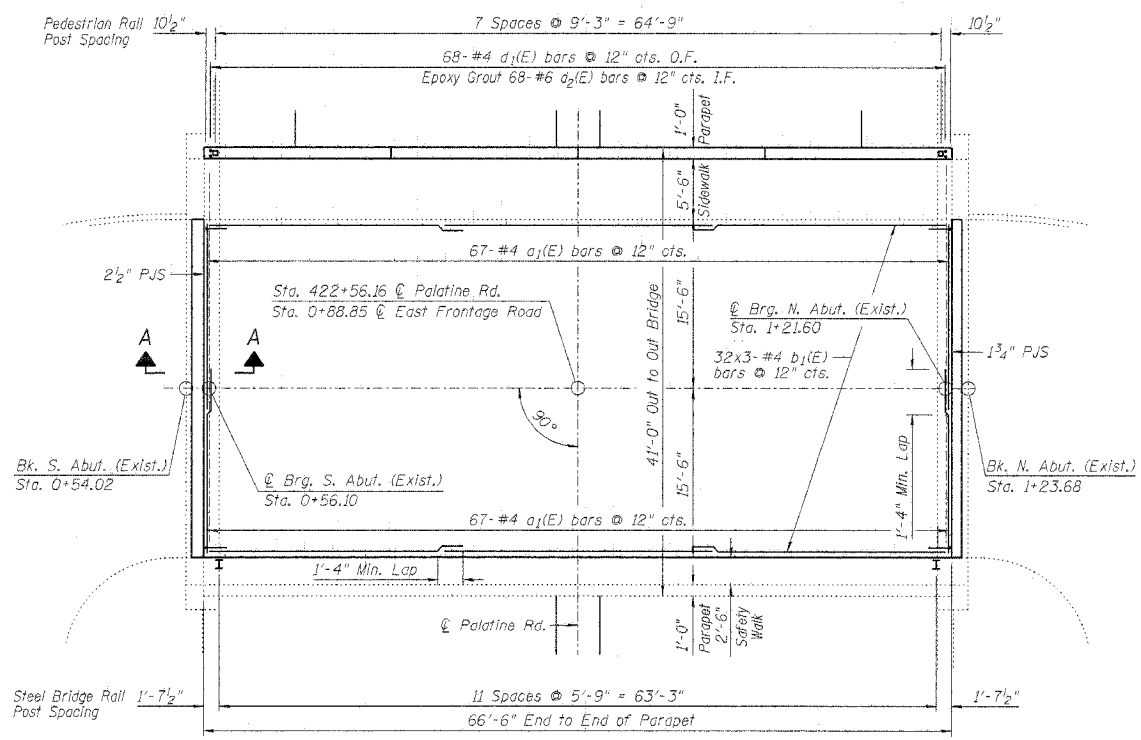
**BILL OF MATERIAL**

Bar No.	Size	Length	Shape
a <sub>1</sub> (E)	#4	16'-0"	—
b <sub>1</sub> (E)	#4	23'-0"	—
d <sub>1</sub> (E)	#4	2'-1"	—
d <sub>2</sub> (E)	#6	2'-11"	—
d <sub>3</sub> (E)	#4	2'-0"	□
e <sub>2</sub> (E)	#4	16'-3"	—

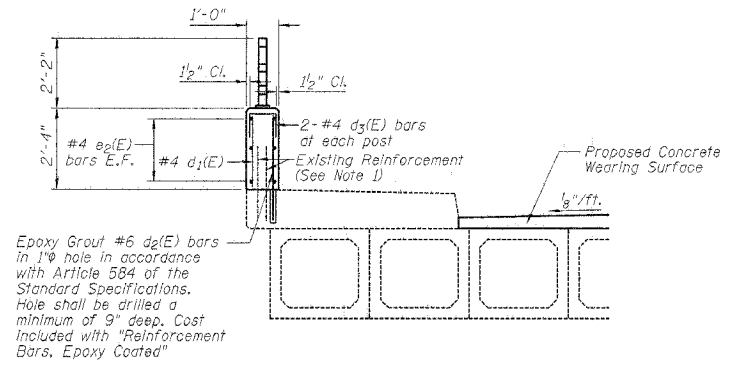
  

Item	Unit	Quantity
Preformed Joint Seal 1 3/4"	Foot	31
Preformed Joint Seal 2 1/2"	Foot	31
Bridge Deck Grooving	Sq. Yd.	215
Protective Coat	Sq. Yd.	255
Concrete Superstructure	Cu Yd.	5.8
Reinforcement Bars, Epoxy Coated	Pound	3,590
Concrete Wearing Surface	Sq. Yd.	230
Furnishing and Erecting Structural Steel	Pound	1,631

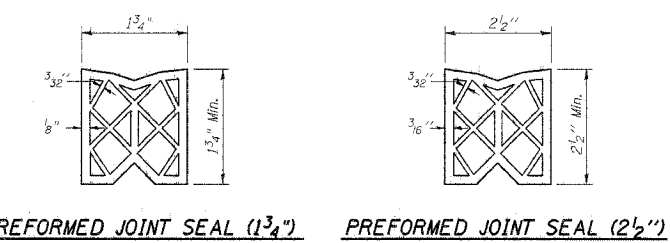
Reinforcement bars designated (E) shall be epoxy coated



**DECK PLAN**

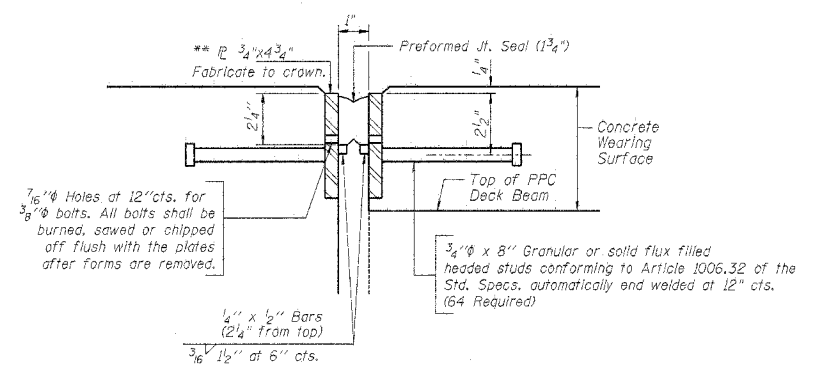


**SECTION THRU PROPOSED PARAPET**

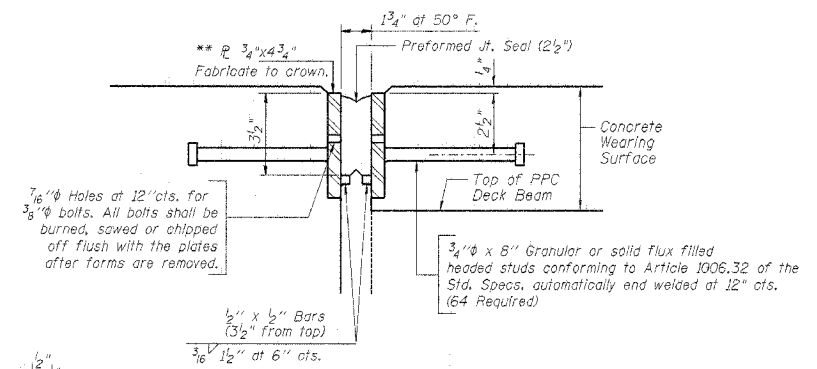


**PREFORMED JOINT SEAL (1 3/4")**    **PREFORMED JOINT SEAL (2 1/2")**

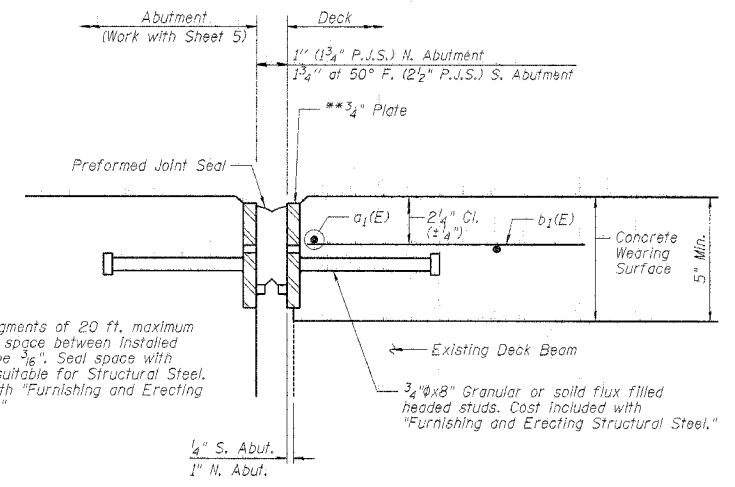
**DEVELOPED ELEVATION THRU PARAPET**



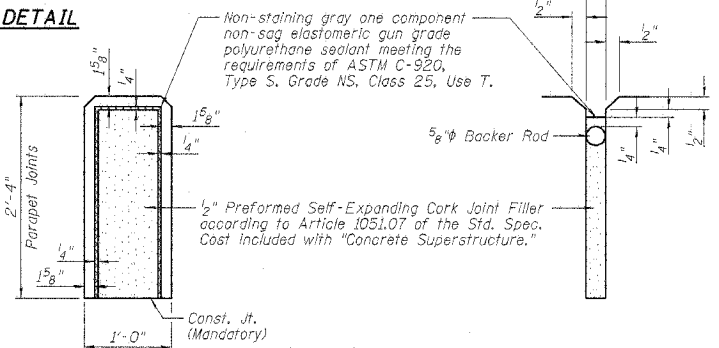
**1 3/4" PREFORMED JOINT SEAL DETAIL**



**2 1/2" PREFORMED JOINT SEAL DETAIL**



**SECTION A-A**  
(2 1/2" PJS Shown, 1 3/4" PJS Similar)



**PARAPET JOINT DETAILS**

- NOTES:
- Existing Reinforcement extending into removed areas shall be blast cleaned, straightened and incorporated into new construction. Cost included with "Concrete Removal." Any reinforcement bars that are damaged during concrete removal shall be replaced with an approved bar splicer or anchorage system. Cost included with "Concrete Removal."
  - For Pedestrian Rail Details, see Sheet 6.
  - For Steel Bridge Rail Details, See Sheet 7.
  - Bars indicated thus: 32x3-#4 etc. Indicates 32 lines of bars with 3 lengths per line.

**EXPANSION JOINT AND PARAPET DETAILS**  
**EAST FRONTAGE ROAD OVER PALATINE ROAD**  
**FAP 305/PALATINE ROAD**  
**SECTION 2004-108 BR**  
**COOK COUNTY**  
**STA. 0+88.85**  
**STRUCTURE NO. 016-2529**

BRANCO & ZROKA ENGINEERING, P.C.  
DESIGNED LAS  
CHECKED DAZ  
DRAWN SAW  
CHECKED LAS  
February 2005