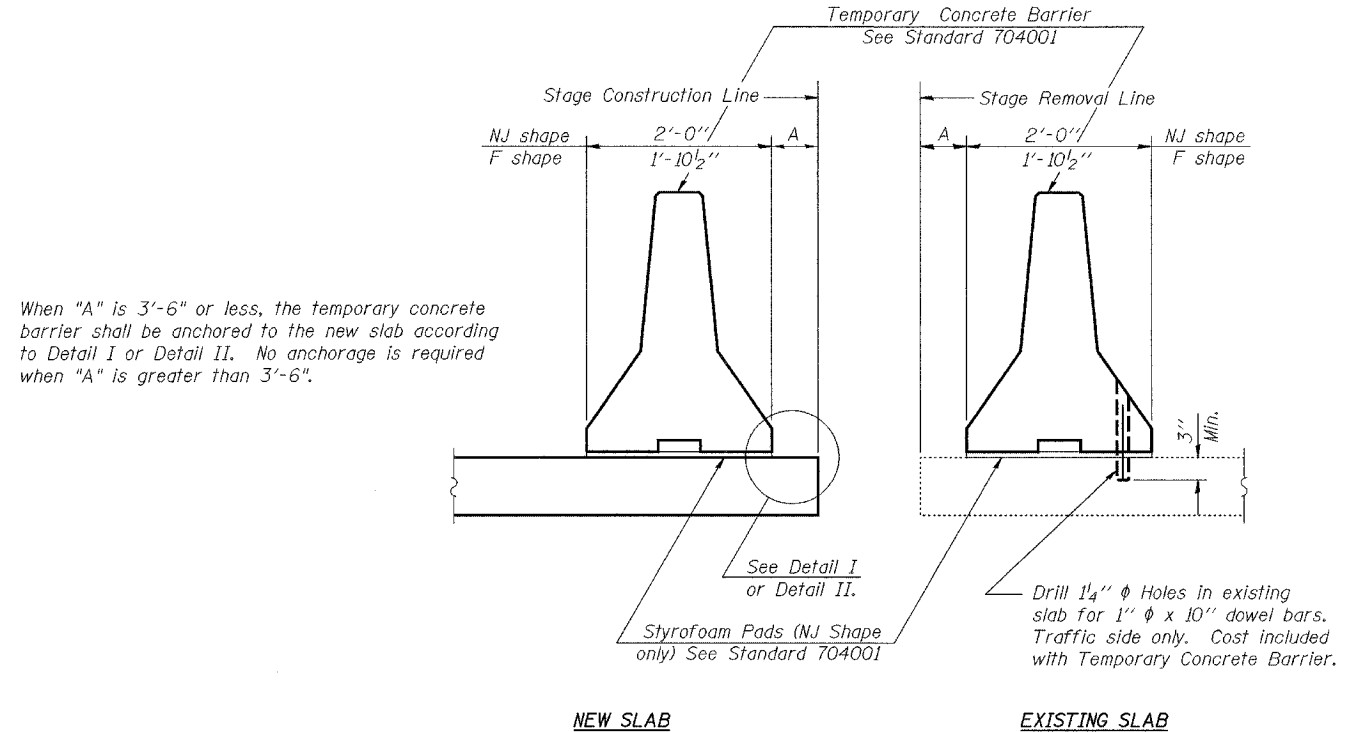


STATE OF ILLINOIS  
DEPARTMENT OF TRANSPORTATION

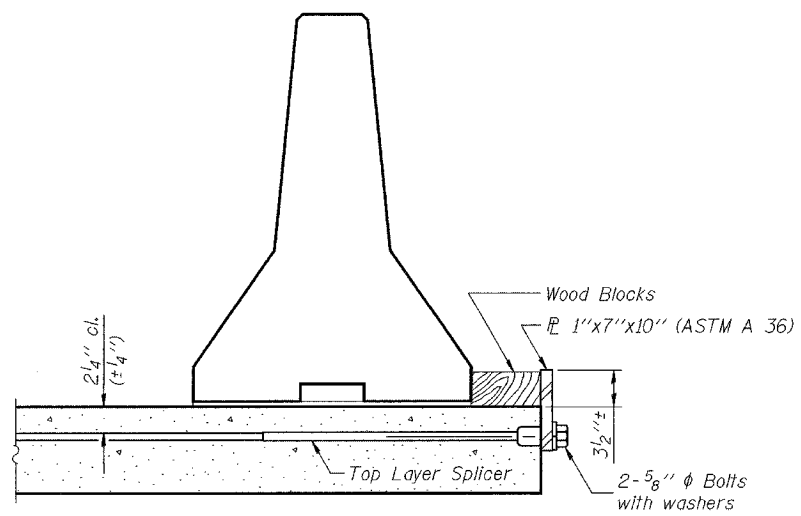
|                       |         |                                 |                  |           |             |
|-----------------------|---------|---------------------------------|------------------|-----------|-------------|
| ROUTE NO.             | SECTION | COUNTY                          | JOB SHEETS       | SHEET NO. | SHEET NO. 3 |
| FAP 305               | *       | Cook                            | 72               | 61        | 14 SHEETS   |
| FED. ROAD DIST. NO. 7 |         | ILLINOIS                        | FED. AID PROJECT |           |             |
|                       |         | Contract No. 62853 *2004-108 BR |                  |           |             |



SECTIONS THRU SLAB

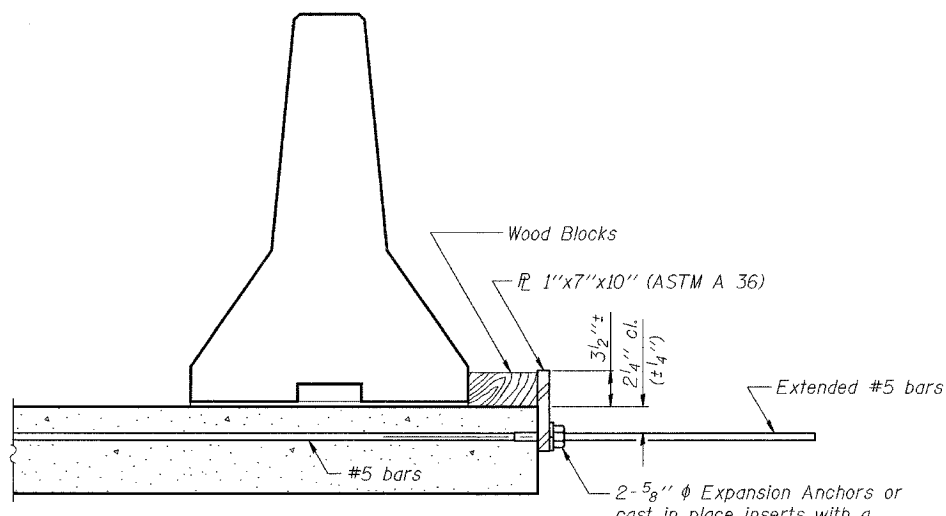
NOTES

- Detail I - With Bar Splicer or Couplers:  
Connect one (1) 1"x7"x10" steel PL to the top layer of couplers with 2-5/8" φ bolts screwed to coupler at approximate C of each barrier panel.
  - Detail II - With Extended Reinforcement Bars:  
Connect one (1) 1"x7"x10" steel PL to the concrete slab with 2-5/8" φ Expansion Anchors or cast in place inserts spaced between the top layer of reinforcement at approximate C of each barrier panel.
- Cost of anchorage is included with Temporary Concrete Barrier.



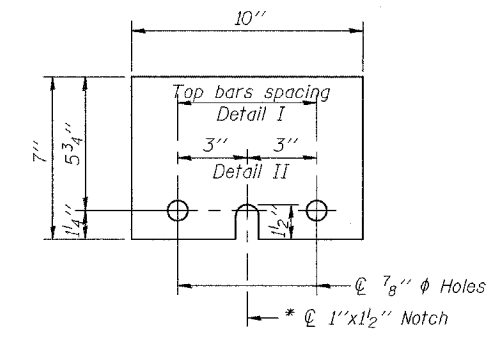
DETAIL I

The 1"x7"x10" Plate shall not be removed until Stage II Construction forms and reinforcement bars are in place.



DETAIL II

The 1"x7"x10" Plate shall not be removed until Stage II Construction forms and all reinforcement bars are in place and the concrete is ready to be placed.



1"x7"x10"  
\* Required only with Detail II

|          |     |
|----------|-----|
| DESIGNED | BPS |
| CHECKED  | KFA |
| DRAWN    | MJB |
| CHECKED  | GSP |

**TEMPORARY CONCRETE BARRIER**  
**WOLF RD. OVER PALATINE RD.**  
**F.A.P. RTE. 305 SECT. 2004-108 BR**  
**COOK COUNTY**  
**STATION 950+00.00**  
**STRUCTURE NO. 016-0680**