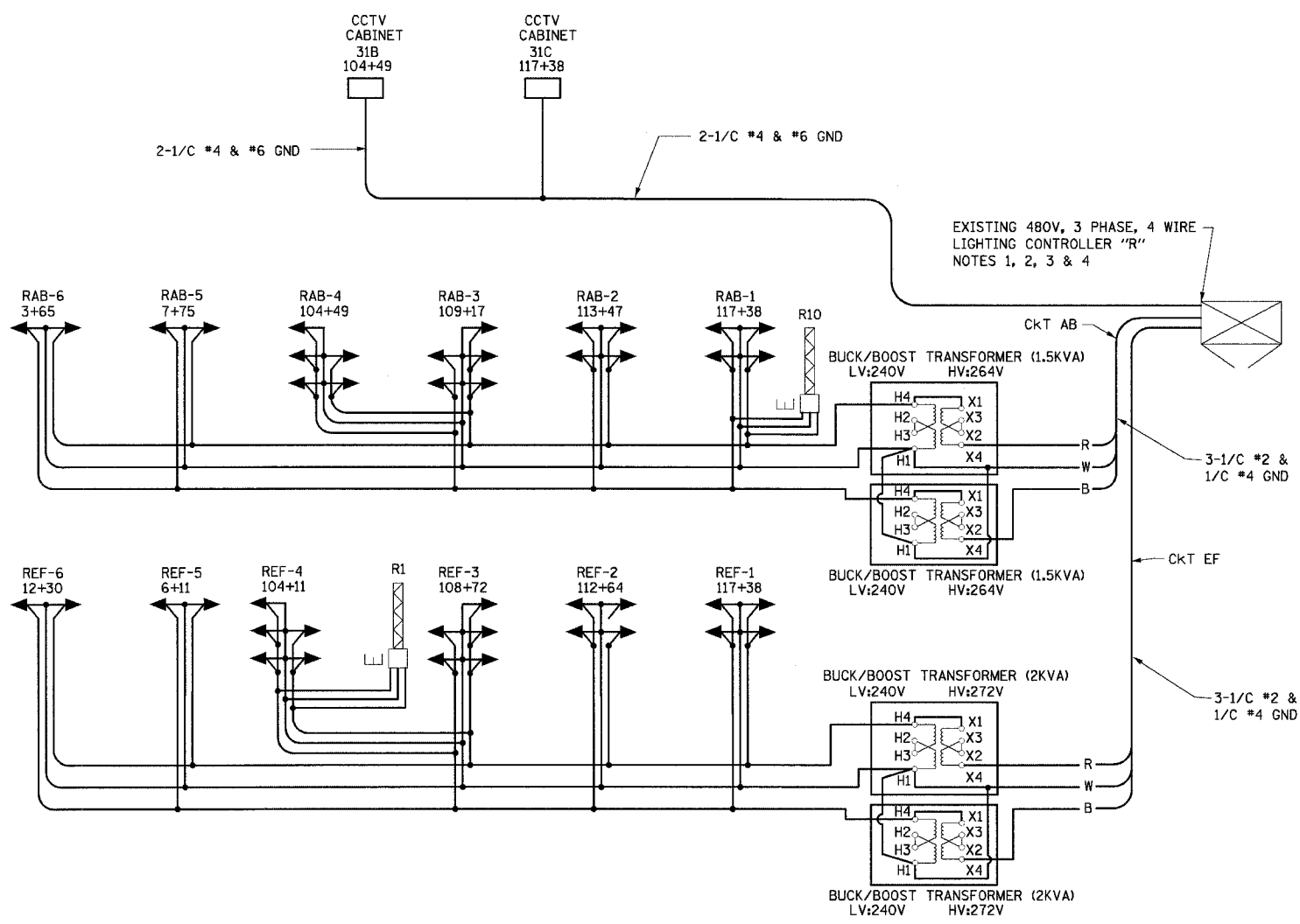


62877

F.A. RTE.	SECTION	COUNTY	TOTAL SHEETS	SHEET NO.
290	0305-302K-L3	COOK	55	26
STA.	TO STA.			
FED. ROAD DIST. NO.	ILLINOIS		FED. AID PROJECT	



CIRCUIT	DESCRIPTION	PHASE A (RED) AMPS	PHASE B (BLACK) AMPS	BREAKER SIZE AMPS
A	11 FIXTURES + 3 SIGN	39.5		70
B	11 FIXTURES + 3 SIGN		39.5	70
C	SPACE			70
D	SPACE			70
E	11 FIXTURES + 4 SIGN	40.3		70
F	11 FIXTURES + 4 SIGN		40.3	70
G				70
H				70
I				70
J				70
K				70
L				70
M				70
N				70
O				70
P				70
Q				70
R				70
S				70
T				70
U				70
V				70
W				70
X				70
TOTAL				
CONNECTED LOAD				

- NOTES**
1. REPLACE EXISTING 3 POLE CIRCUIT BREAKER ABC WITH 2 SINGLE POLE, 70A BREAKERS. RE-DESIGNATE AS CIRCUIT BREAKERS A AND B. (MATERIAL AND LABOR SHALL BE INCLUDED UNDER PAY ITEM, MODIFY EXISTING CONTROLLER, SPECIAL)
 2. REPLACE EXISTING 3 POLE CIRCUIT BREAKER DEF WITH 2 SINGLE POLE BREAKERS. RE-DESIGNATE AS CIRCUIT BREAKERS E AND F. (MATERIAL AND LABOR SHALL BE INCLUDED UNDER PAY ITEM, MODIFY EXISTING CONTROLLER, SPECIAL)
 3. MODIFY EXISTING CONTROLLER "R" TO PROVIDE AN UNSWITCHED CIRCUIT FOR CAMERA POWER.
 4. EXISTING CONTROLLER "R" IS LOCATED ON THE SOUTH SIDE OF ALGONQUIN ROAD, EAST OF ILLINOIS ROUTE 53.

- LEGEND**
- ← PROPOSED TOWER MOUNTED 750W HPS LUMINAIRE-240V DESIGNATION AS INDICATED
 - ⊠ EXISTING SIGN LUMINAIRE
 - ⊞ EXISTING LIGHTING CONTROLLER, DUPLEX TYPE WITH RADIO CONTROL AND SCADA
 - B BLACK PHASE CONDUCTOR
 - W WHITE NEUTRAL CONDUCTOR
 - R RED PHASE CONDUCTOR
 - G GREEN GROUND CONDUCTOR

REVISIONS	
NAME	DATE

ILLINOIS DEPARTMENT OF TRANSPORTATION

**ILLINOIS ROUTE 53
SINGLE LINE DIAGRAM
EXISTING CONTROLLER "R"**

SCALE: VERT. NONE
HORIZ. NONE
DATE 02-28-2005

DRAWN BY WDF
CHECKED BY RER

HOH HARRY O. HEFTER - ASSOCIATES, INC. 55 East Jackson Blvd. Chicago, Illinois 60604
DESIGN AND CONSULTING ENGINEERS 312/348-8131

PROJECT NUMBER 2672

DATE 02/28/2005