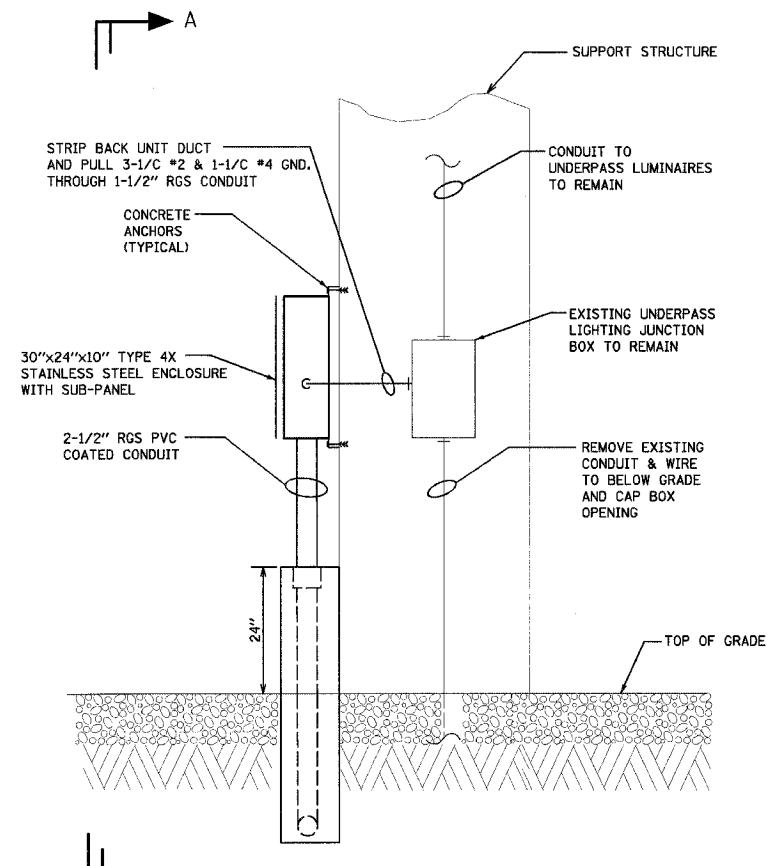
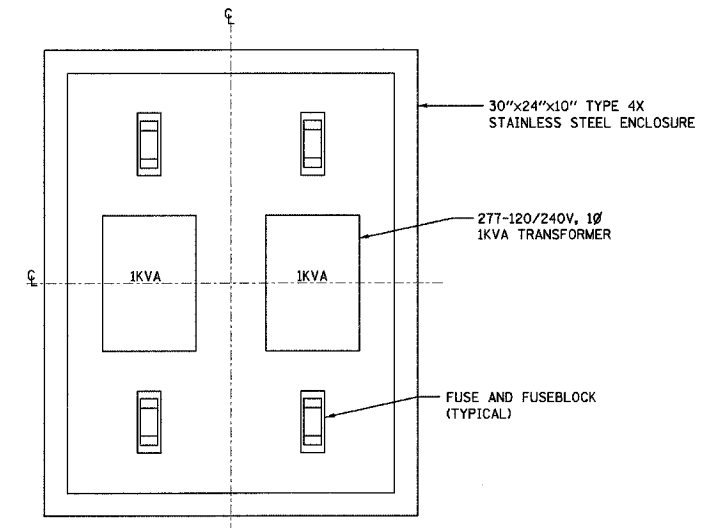


62877

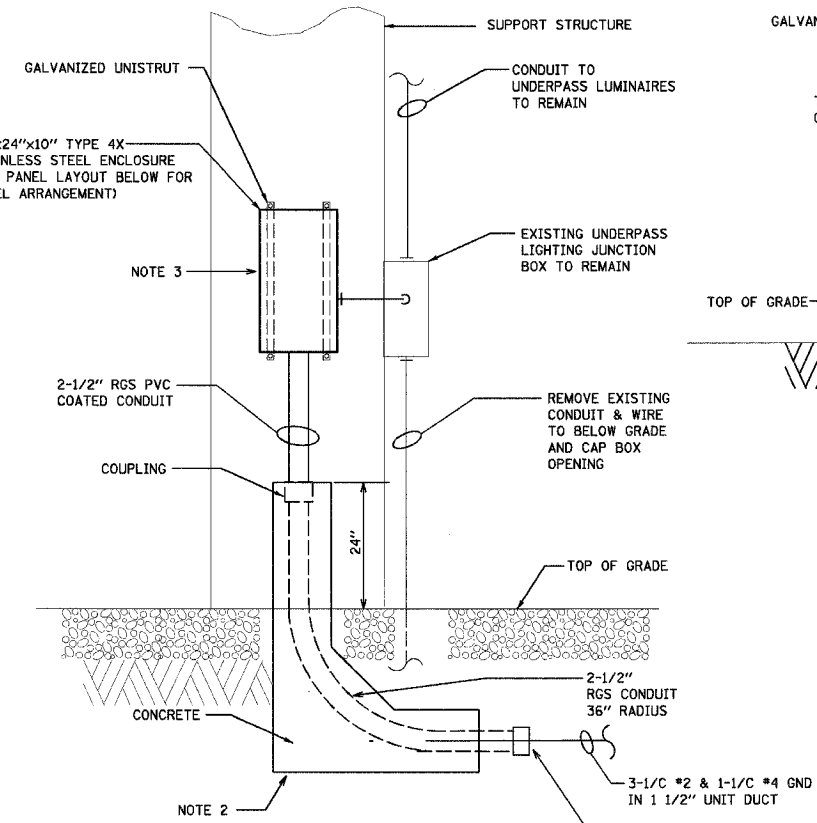
F.A. RTE.	SECTION	COUNTY	TOTAL SHEETS	SHEET NO.
230	0305-301K-L-3	COOK	55	29
STA.	TO STA.			
FED. ROAD DIST. NO.	ILLINOIS FED. AID PROJECT			



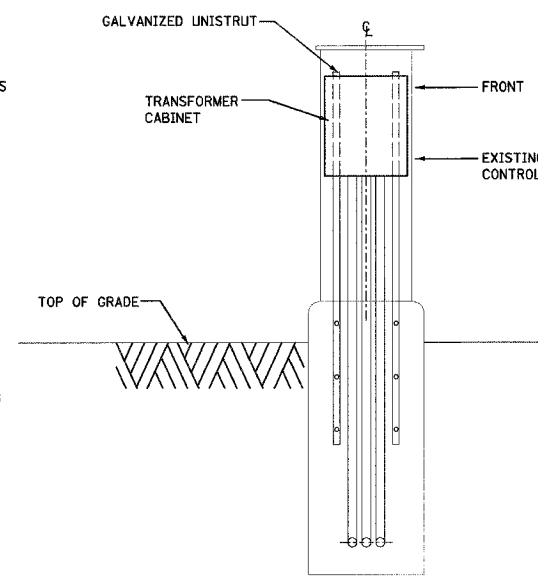
**DETAIL NO.1**  
PULLBOX AND TRANSFORMER MOUNTING AT GOLF RD. DWG. E6  
SCALE: NONE



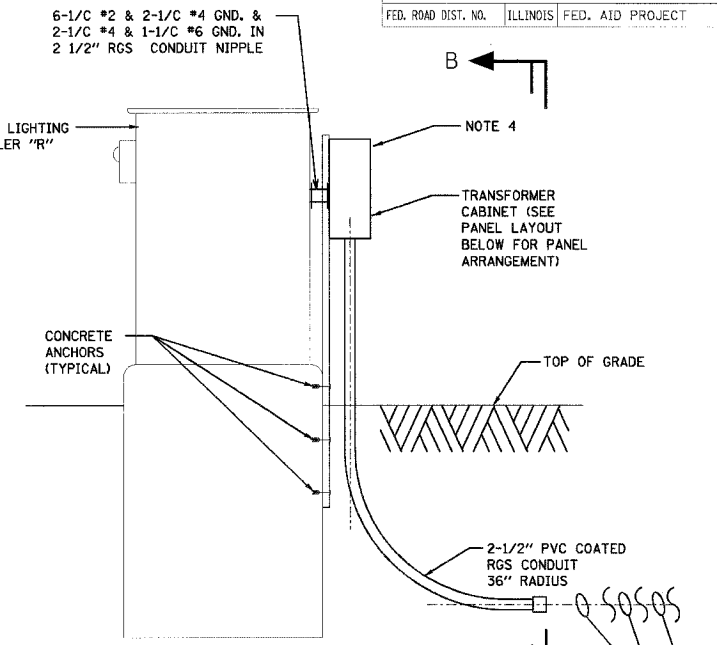
**PANEL LAYOUT FOR DETAIL No.1**  
SCALE: NONE



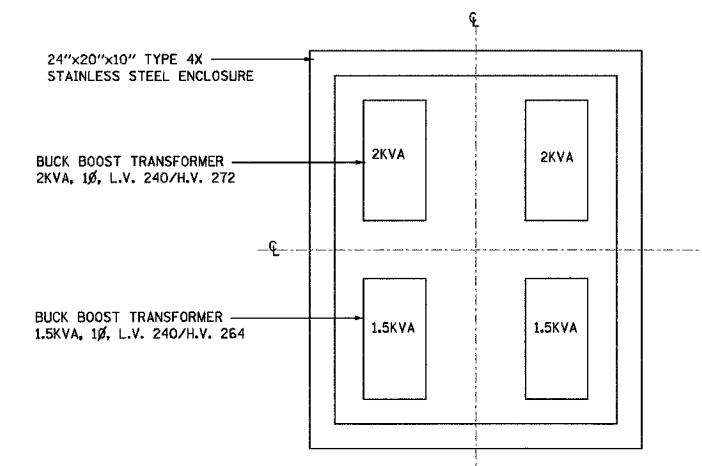
**SECTION A-A**  
SCALE: NONE



**SECTION B-B**  
SCALE: NONE



**DETAIL NO.2**  
ENCLOSURE LOCATION  
SCALE: NONE



**PANEL LAYOUT FOR DETAIL No.2**  
SCALE: NONE

**NOTES:**

1. PROVIDE WATERTIGHT HUBS FOR ENTRY INTO CONTROLLER ENCLOSURE. (INCLUDED UNDER MODIFY EXISTING CONTROLLER, SPECIAL)
2. CONCRETE, RGS CONDUIT, COUPLING AND ALL ASSOCIATED MATERIAL AND LABOR REQUIRED FOR A COMPLETE INSTALLATION, SHALL BE INCLUDED AS PART OF PAY ITEM, MODIFY EXISTING UNDERPASS LIGHTING-GOLF RD.
3. STAINLESS STEEL ENCLOSURE, 2 1/2" RGS PVC COATED CONDUIT, UNISTRUT, CONCRETE ANCHORS AND ALL ASSOCIATED MATERIAL AND LABOR REQUIRED FOR A COMPLETE INSTALLATION, SHALL BE INCLUDED AS PART OF PAY ITEM, MODIFY EXISTING UNDERPASS LIGHTING-GOLF RD.
4. ENCLOSURE, UNISTRUT, CONCRETE ANCHORS AND ASSOCIATED MATERIAL AND LABOR REQUIRED FOR A COMPLETE INSTALLATION, SHALL BE INCLUDED AS PART OF PAY ITEM, MODIFY EXISTING CONTROLLER, SPECIAL.

E-16

REVISIONS	
NAME	DATE

ILLINOIS DEPARTMENT OF TRANSPORTATION  
**ILLINOIS ROUTE 53  
PROPOSED LIGHTING PLAN  
SECTION AND DETAILS**

SCALE: VERT. NONE  
HORIZ. DATE 2-28-2005

DRAWN BY MEK  
CHECKED BY PBL

**HOH** HARRY G. HEFTER - ASSOCIATES, INC. 35 East Jackson Blvd. Chicago, Illinois 60604 312/346-8131

2672