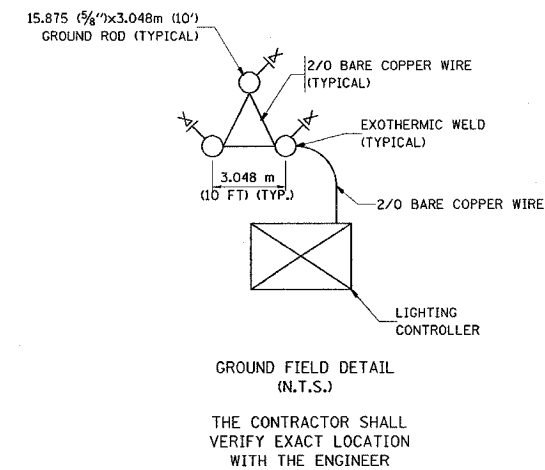
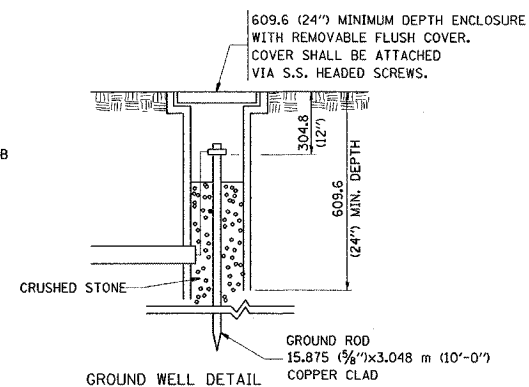
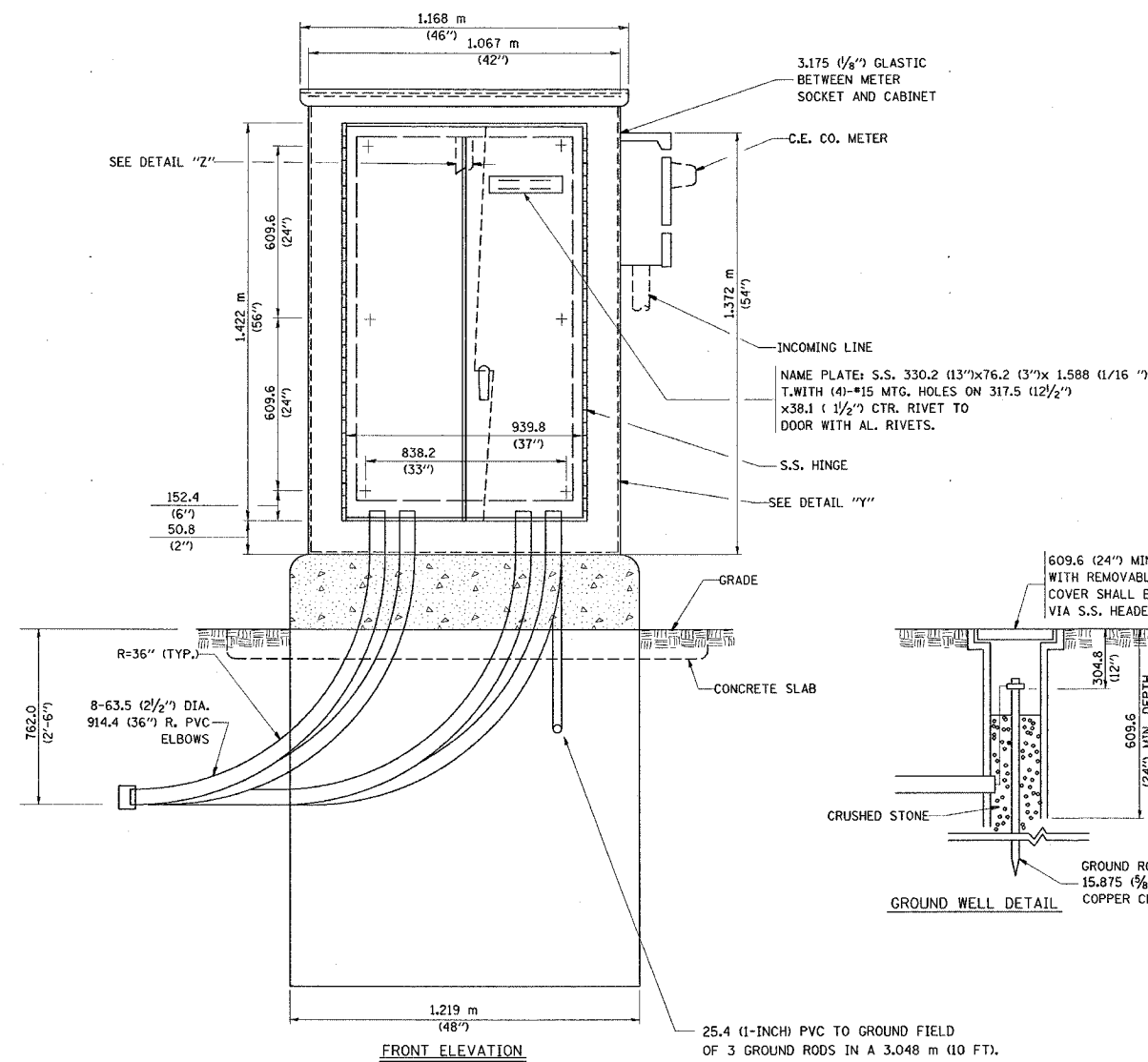
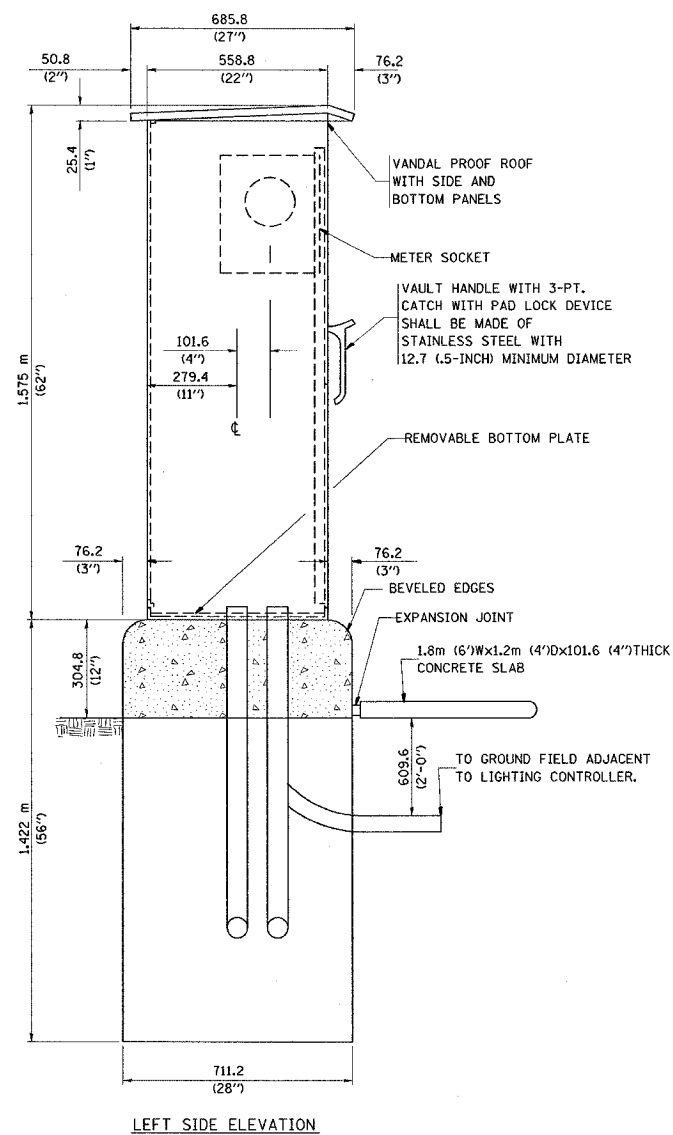
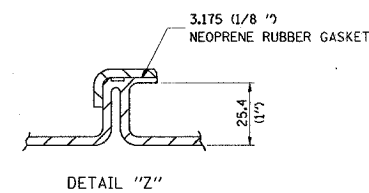
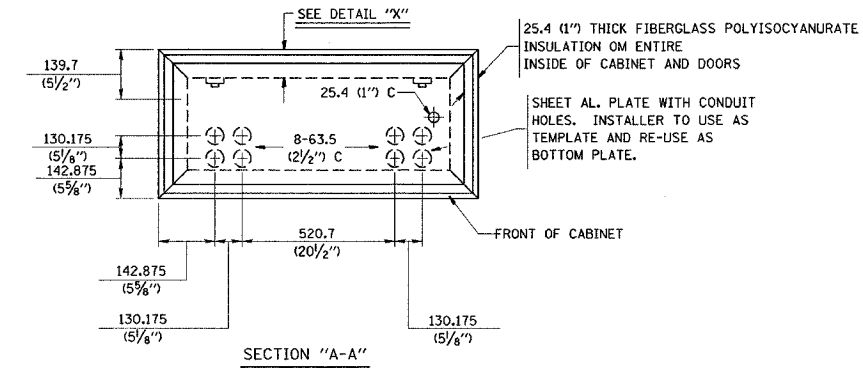
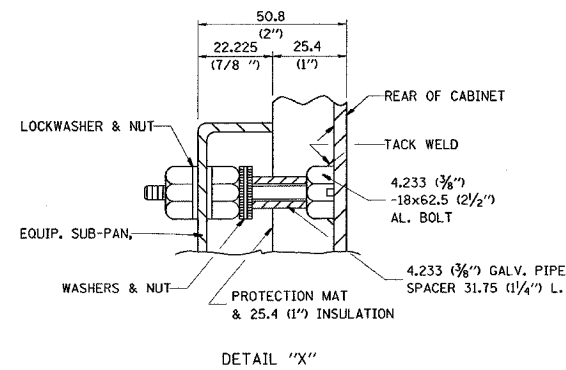
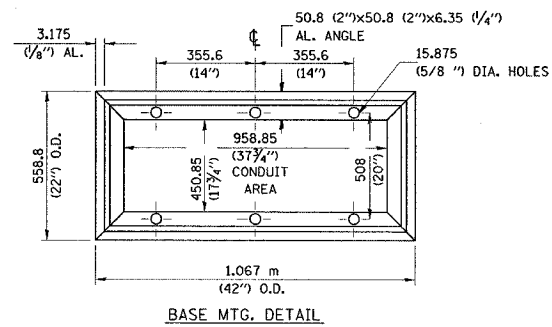
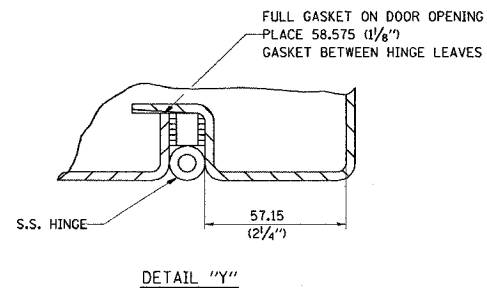


P.L. NO.	SECTION	COUNTY	TOTAL SHEETS	SHEET NO.
290	0305-302K-L-3	COOK	55	33
STA.	TO STA.			
FED. ROAD DIST. NO.	BLINDS	FED. AID PROJECT		



25.4 (1-INCH) PVC TO GROUND FIELD OF 3 GROUND RODS IN A 3.048 m (10 FT). TRIANGLE CONNECTED VIA BARE COPPER WIRE. VERIFY EXACT LOCATION OF GROUND FIELD WITH THE ENGINEER. NO GROUND WELL SHALL BE PLACED IN CONCRETE PAD IN FRONT OF CONTROLLER.

REVISIONS	
NAME	DATE
R. TOMSONS	

ILLINOIS DEPARTMENT OF TRANSPORTATION

4/05

LIGHTING CONTROLLER
RADIO CONTROL, DUPLEX TYPE
WITH SCADA AND CCTV POWER
BE-207 SHT 3 OF 4

SCALE: NONE

DATE 3/31/2005

DRAWN BY C.A.D.

CHECKED BY BE207