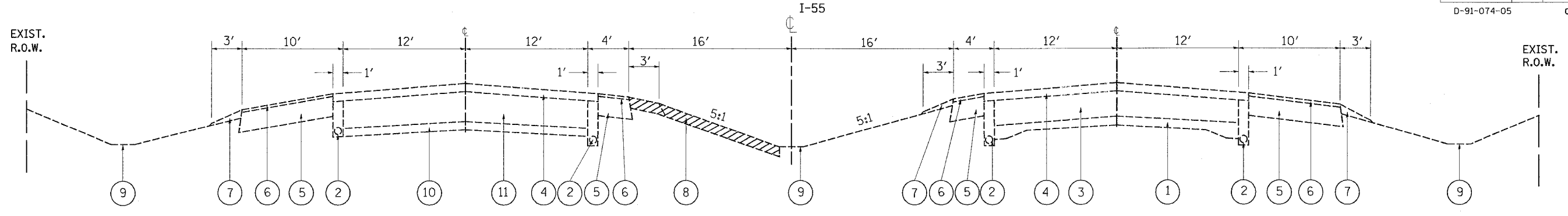
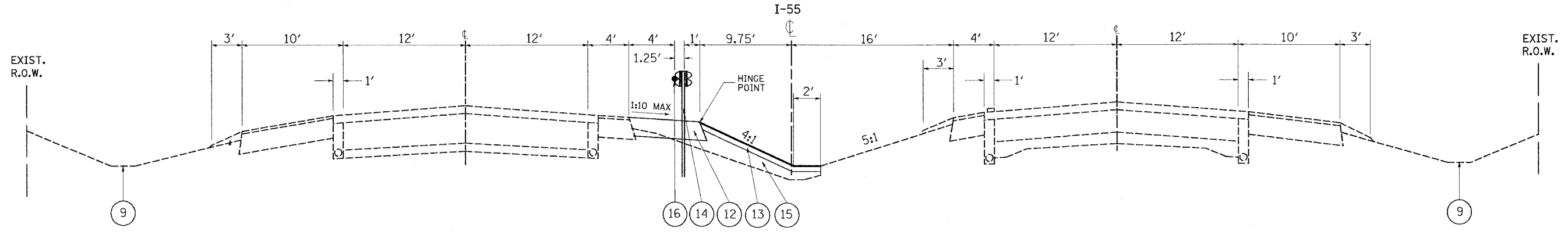


F.A.I. RTE.	SECTION	COUNTY	TOTAL SHEETS	SHEET NO.
55	2003-118 GRR	WILL.	14	4
STA. 1268+25		TO STA. 1352+19		
FED. ROAD DIST. NO. 1		ILLINOIS FED. AID PROJECT		
D-91-074-05		CONTRACT 62884		



I-55
EXISTING TYPICAL CROSS SECTION
STA 1268+25 TO STA 1352+19



I-55
PROPOSED TYPICAL CROSS SECTION
STA 1268+25 TO STA 1317+43
STA 1317+71 TO STA 1336+00
STA 1336+25 TO STA 1352+19

LEGEND

- | | |
|--|---|
| ① EXISTING P.C.C. BASE COURSE 9" - 7" - 9" | ⑩ EXISTING SUB BASE GRANULAR MATERIAL, 4" |
| ② EXISTING PIPE UNDERDRAIN, 4" | ⑪ EXISTING P.C.C. PAVEMENT, 10" |
| ③ EXISTING BIT. CONC. BINDER COURSE, 16" | ⑫ PROPOSED AGGREGATE SHOULDER, TYPE A, 12" |
| ④ EXISTING BIT. CONC. SURFACE COURSE, ±5" | ⑬ PROPOSED -TOPSOIL FURNISH AND PLACE, 4"
-SEEDING, CLASS 2A
-EROSION CONTROL BLANKET |
| ⑤ EXISTING BITUMINOUS SHOULDER, 12½" | ⑭ PROPOSED STEEL PLATE BEAM GUARDRAIL, TYPE D SPECIAL |
| ⑥ EXISTING BITUMINOUS CONC. SURFACE COURSE, 1½" | ⑮ PROPOSED FURNISHED EXCAVATION |
| ⑦ EXISTING AGGREGATE SHOULDER, TYPE B (6") | ⑯ PROPOSED GUARDRAIL MARKERS |
| ⑧ EXISTING AGGREGATE SHOULDER, TYPE B (6") & TOP SOIL (4") TO BE REMOVED (PAID AS REMOVAL AND DISPOSAL OF UNSUITABLE MATERIAL) | |
| ⑨ EXISTING GROUND DITCH | |

REVISIONS	
NAME	DATE

ILLINOIS DEPARTMENT OF TRANSPORTATION
INTERSTATE 55
EXISTING AND PROPOSED TYPICAL SECTION

SCALE : NONE
6/14/2005

DRAWN BY: HMO
CHECKED BY: