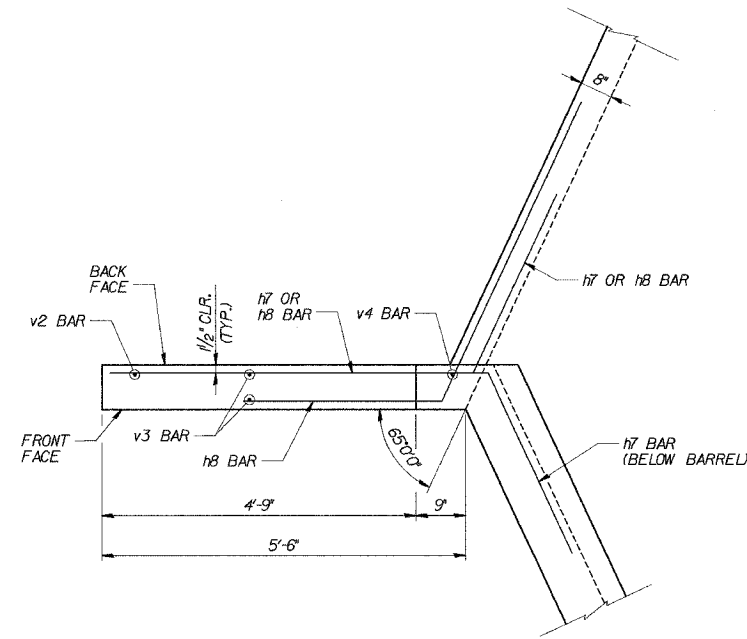
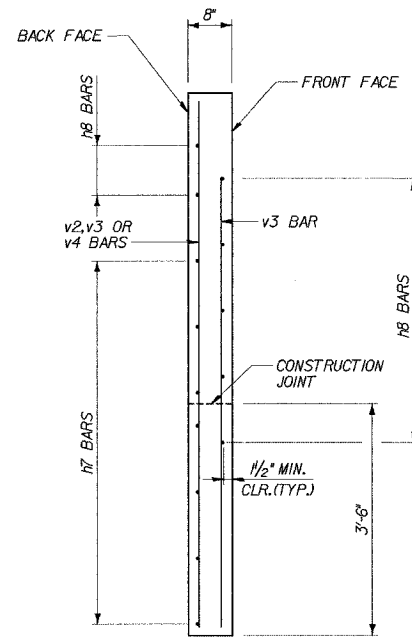


ROUTE NO.		SECTION	COUNTY	TOTAL SHEETS	SHEET NO.
FAP 353		*	WILL	53	32

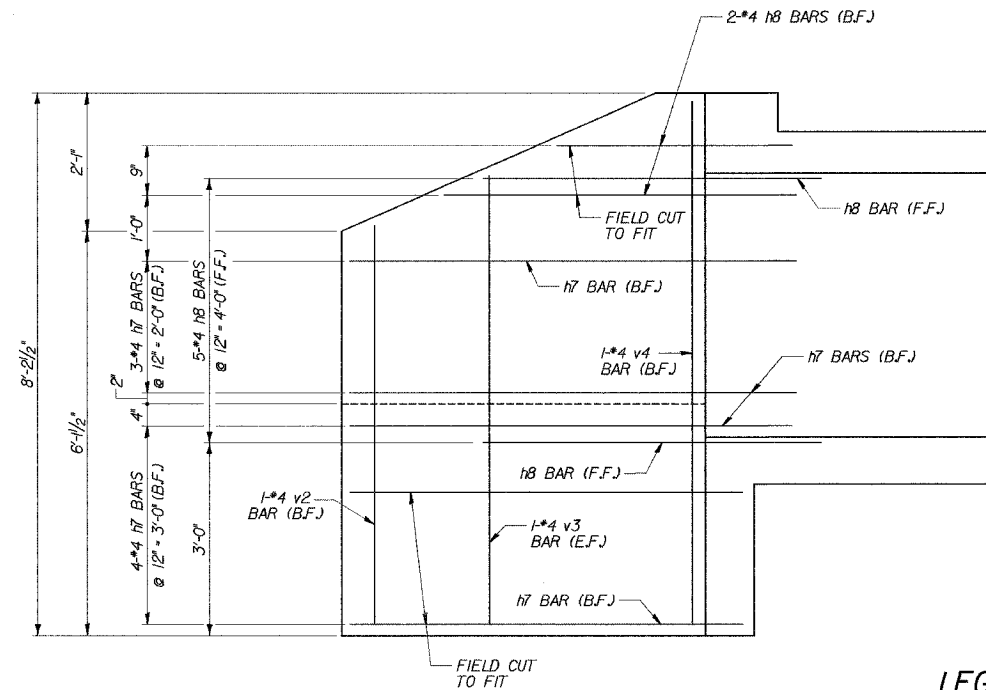
\* SECT. 12 & 13 T-1



WING A & D PLAN



WING A & D TYPICAL SECTION



WING A & D ELEVATION

**LEGEND**

F.F. - FRONT FACE  
B.F. - BACK FACE  
E.F. - EACH FACE

09-Jun-2005 10:27 s:\Dept\Structures\3050002-IL-US30\CULVERT\F SUPPLEMENT\12-13-14-WING-F.dgn

DESIGNED	ASP
CHECKED	CDS
DRAWN	BEM
CHECKED	ASP

REVISIONS	
NAME	DATE

U.S.30 OVER STREAM  
0.3 MILES W.OF WOLF RD.  
WINGS A & D  
U.S.ROUTE 30 (LINCOLN HIGHWAY)  
F.A.P.353 (U.S.30)  
SECTION (12 & 13) T-1  
STATION 293+05.00  
WILL COUNTY  
STRUCTURE NUMBER 099-4661