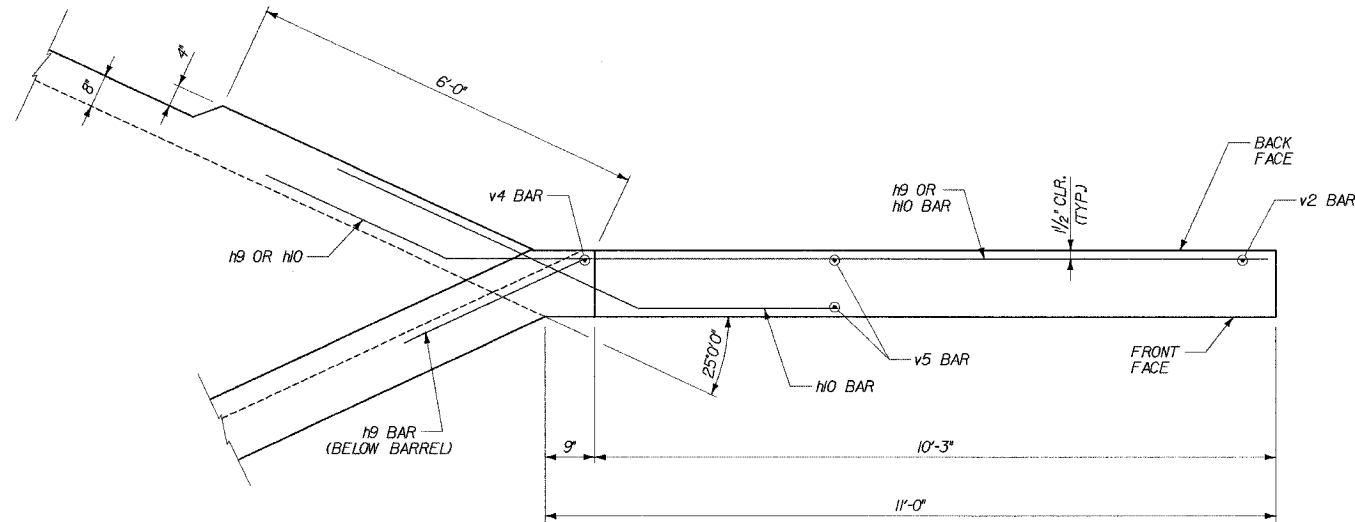
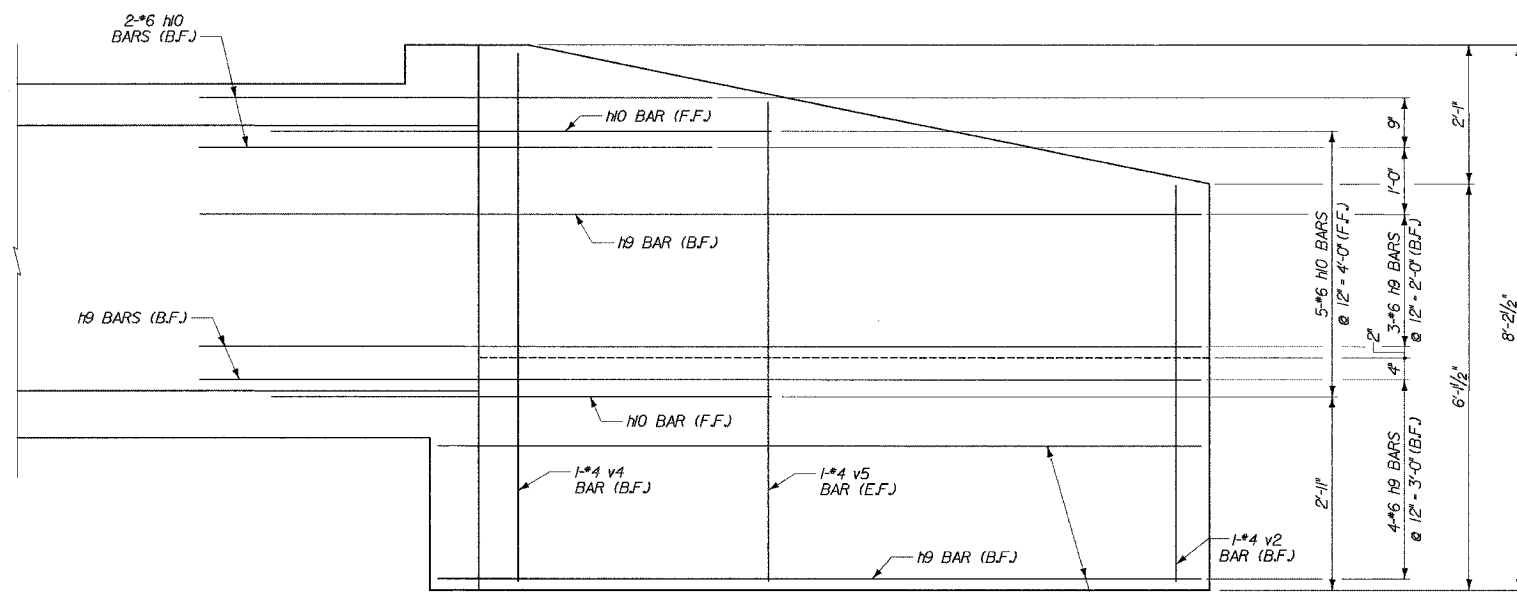


ROUTE NO.		SECTION	COUNTY	TOTAL SHEETS	SHEET NO.
FAP 353		*	WILL	53	33

* SECT. 12 & 13 T-1



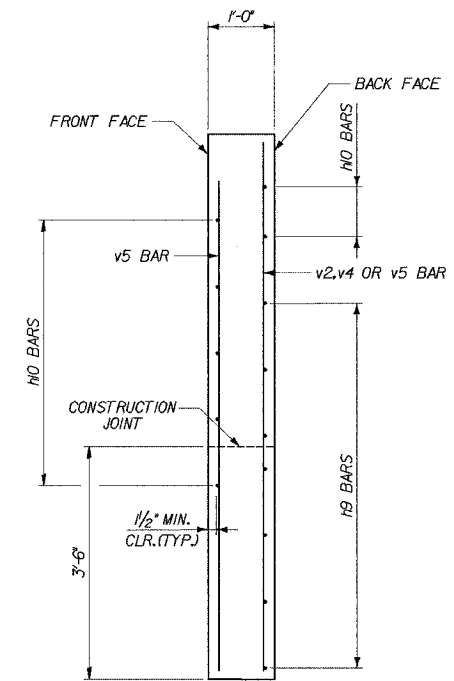
WING B & C PLAN



LEGEND

F.F. - FRONT FACE
B.F. - BACK FACE
E.F. - EACH FACE

WING B & C ELEVATION



WING B & C TYPICAL SECTION

e:\Dept\Structures\3050002-IL-US80\CULVERT\ SUPPLEMENT\12-13-14-WING-F.dgn

09-Jan-2005 10:27

DESIGNED	ASP
CHECKED	CDS
DRAWN	BEM
CHECKED	ASP

REVISIONS	
NAME	DATE

U.S. 30 OVER STREAM
0.3 MILES W. OF WOLF RD.
WINGS B & C
U.S. ROUTE 30 (LINCOLN HIGHWAY)
F.A.P. 353 (U.S. 30)
SECTION (12 & 13) T-1
STATION 293+05.00
WILL COUNTY
STRUCTURE NUMBER 099-4661