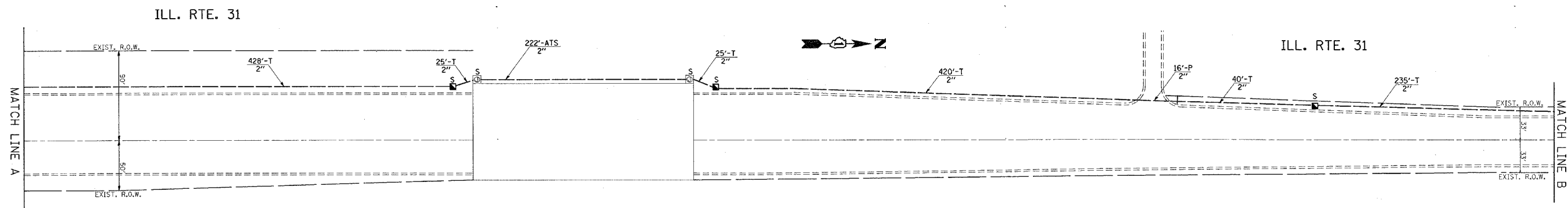
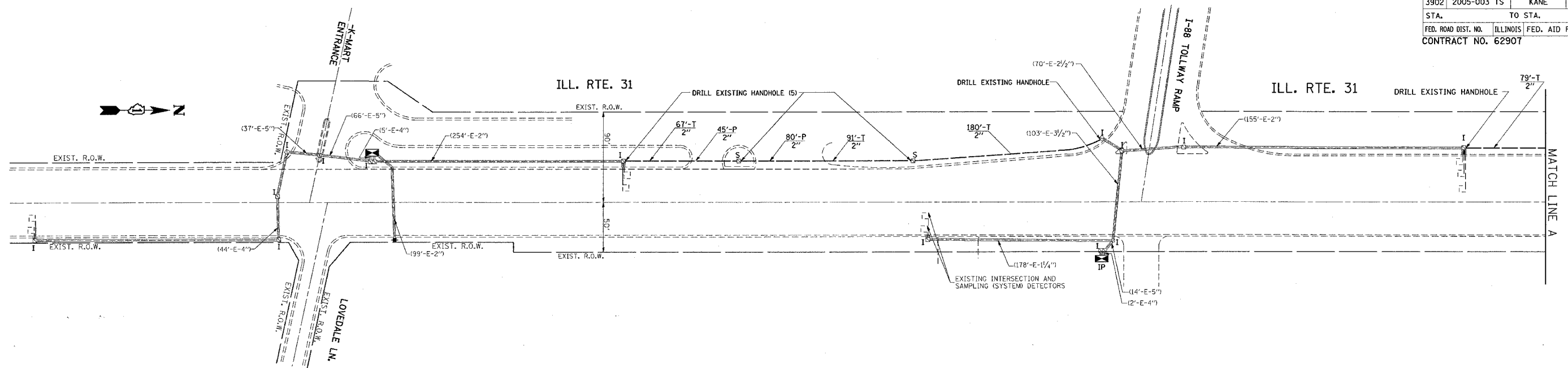


F.A.U. RTE.	SECTION	COUNTY	TOTAL SHEETS	SHEET NO.
3902	2005-003 TS	KANE	20	19
STA.		TO STA.		
FED. ROAD DIST. NO.	ILLINOIS	FED. AID PROJECT		
CONTRACT NO. 62907				



INTERCONNECT PLAN LEGEND

	PROPOSED	EXISTING
CONTROLLER CABINET		
SERVICE INSTALLATION, (P) POLE OR (G) GROUND MOUNT		
TELEPHONE CONNECTION		
HANDHOLE		
HEAVY DUTY HANDHOLE		
DOUBLE HANDHOLE		
G.S. CONDUIT IN TRENCH OR PUSHED		
SYSTEM	S	
INTERSECTION	IP	I
UNIT DUCT	UD	
COMMON TRENCH	CT	
DETECTOR LOOP, TYPE I		
PREFORMED DETECTOR LOOP		
JUNCTION BOX		

REVISIONS	
NAME	DATE

ILLINOIS DEPARTMENT OF TRANSPORTATION
**TRAFFIC SIGNAL
 INTERCONNECT PLAN
 FOR ILL. RTE. 31 FROM
 ILL. RTE. 56 TO LOVEDALE LN.**
 SCALE: VERT. NONE
 HORIZ. NONE
 DATE 6/29/2005
 DRAWN BY: BCK
 DESIGNED BY: BCK
 CHECKED BY: DAD

PLOT DATE = 6/29/2005
 FILE NAME = \\s01\project\62907\62907_131.dwg
 PLOT SCALE = 50.000000 / IN.
 USER NAME = kent@hph.com