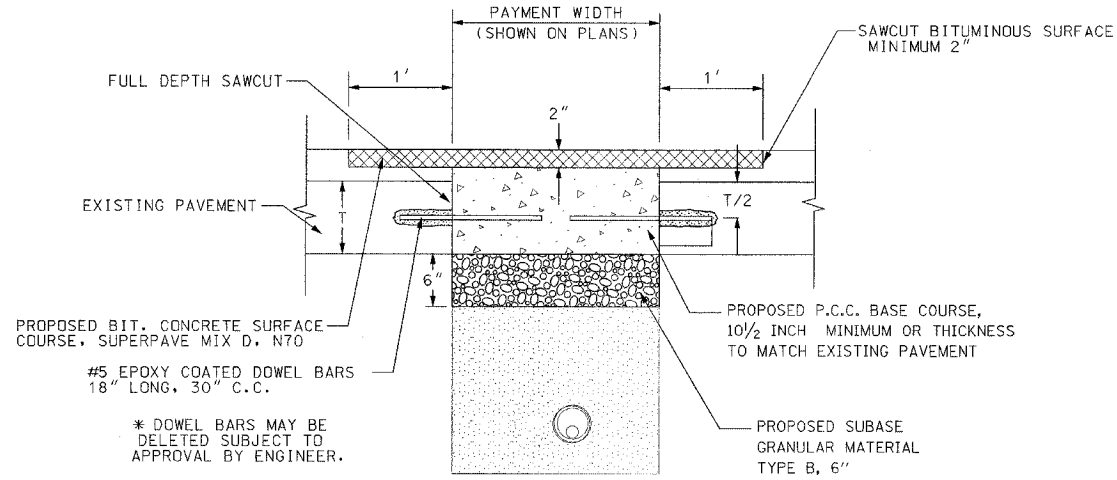


F.A.I. RTE.	SECTION	COUNTY	TOTAL SHEETS	SHEET NO.
94	*	COOK	39	13
STA.		TO STA.		
FED. ROAD DIST. NO.	ILLINOIS	FED. AID PROJECT		
*(1516.1, 1717 & 1818) I-5		62934 (170)		

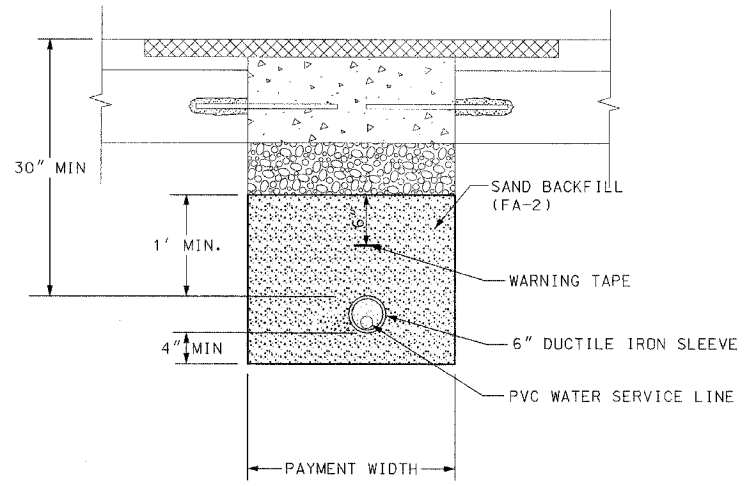


* DOWEL BARS MAY BE DELETED SUBJECT TO APPROVAL BY ENGINEER.

NOTE:

1. ALL TIE BARS AND DOWEL BARS TO BE EPOXY COATED INCLUDED IN THE COST OF PAVEMENT REMOVAL AND REPLACEMENT.
2. ADDITIONAL ONE FOOT (1') OF BITUMINOUS SURFACE REMOVAL ON EITHER SIDE OF CONCRETE PATCH SHALL BE REMOVED PRIOR TO PLACING BITUMINOUS SURFACE COURSE, INCLUDED IN THE COST OF PAVEMENT REMOVAL AND REPLACEMENT.
3. ALL ITEMS SHOWN IN THIS DETAIL SHALL BE CONSIDERED INCLUDED IN THE CONTRACT UNIT PRICE FOR PAVEMENT REMOVAL AND REPLACEMENT, UNLESS OTHERWISE NOTED.

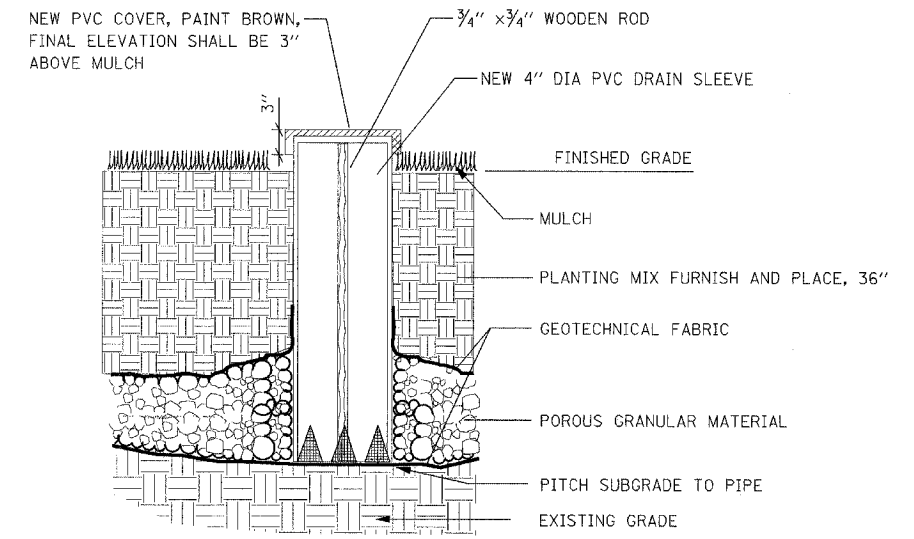
PAVEMENT REMOVAL & REPLACEMENT



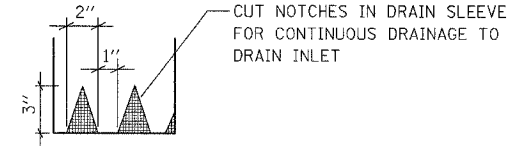
NOTE:

1. PIPE BEDDING, TAMPED IN PLACE 4" MIN. UNDER PIPE, 1'-0" ABOVE TOP OF PIPE. BEDDING MUST BE WELL SPADED ON BOTH SIDES OF PIPE.
2. ALL ITEMS SHOWN IN THIS DETAIL SHALL BE CONSIDERED INCLUDED IN THE CONTRACT UNIT PRICE FOR WATER SERVICE LINE, UNLESS OTHERWISE NOTED.

WATER SERVICE LINE



INSPECTION PIPE, 4 INCH
NOT TO SCALE



DRAIN SLEEVE ELEVATION

FILE: L:\16592.02\Cad\Sheets\Contract I701659202_Det03 I70.dgn

KNIGHT
Engineers & Architects

REVISIONS		ILLINOIS DEPARTMENT OF TRANSPORTATION	
NAME	DATE	F.A.I. 94 (DAN RYAN EXPRESSWAY)	
		75TH AND 76TH STREET CONSTRUCTION DETAILS	
		SCALE: NONE	DRAWN BY: WHI
		DATE: JULY 8, 2005	CHECKED BY: JCM
REVISED	05/06/05		