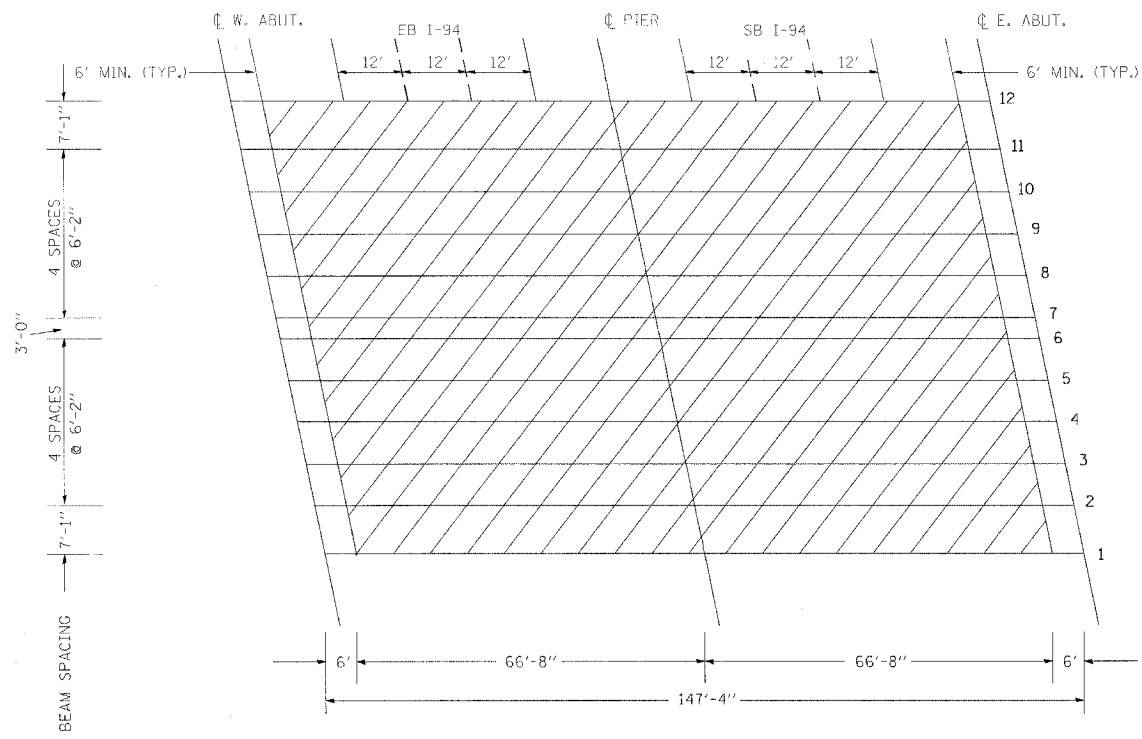
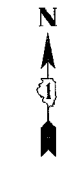
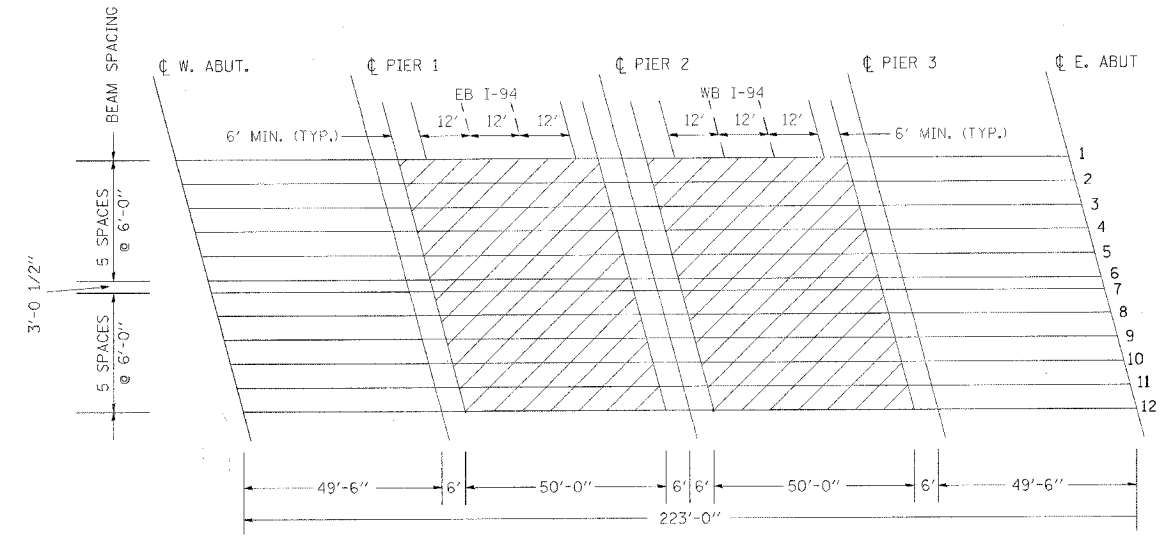


F.A. RTE.	SECTION	COUNTY	TOTAL SHEETS	SHEET NO.
VAR.	2005-0191	COOK	9	6
STA.	TO STA.			
FED. ROAD DIST. NO. ILLINOIS FED. AID PROJECT				

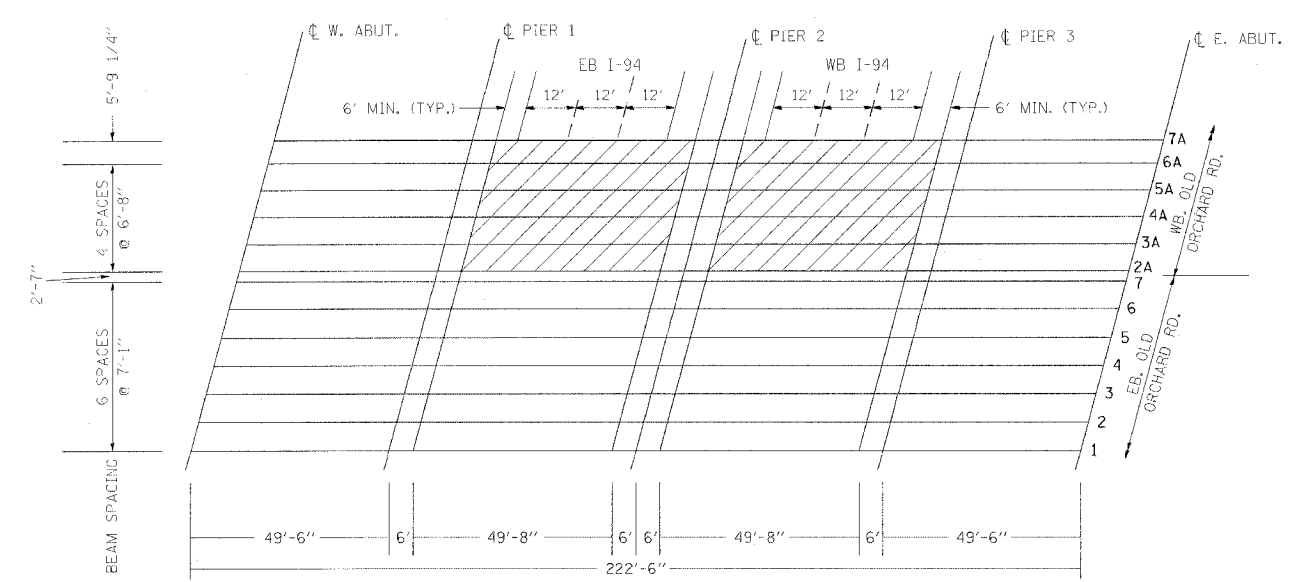
LOCATION 5  
ELSTON/I-94  
SN 016-0610



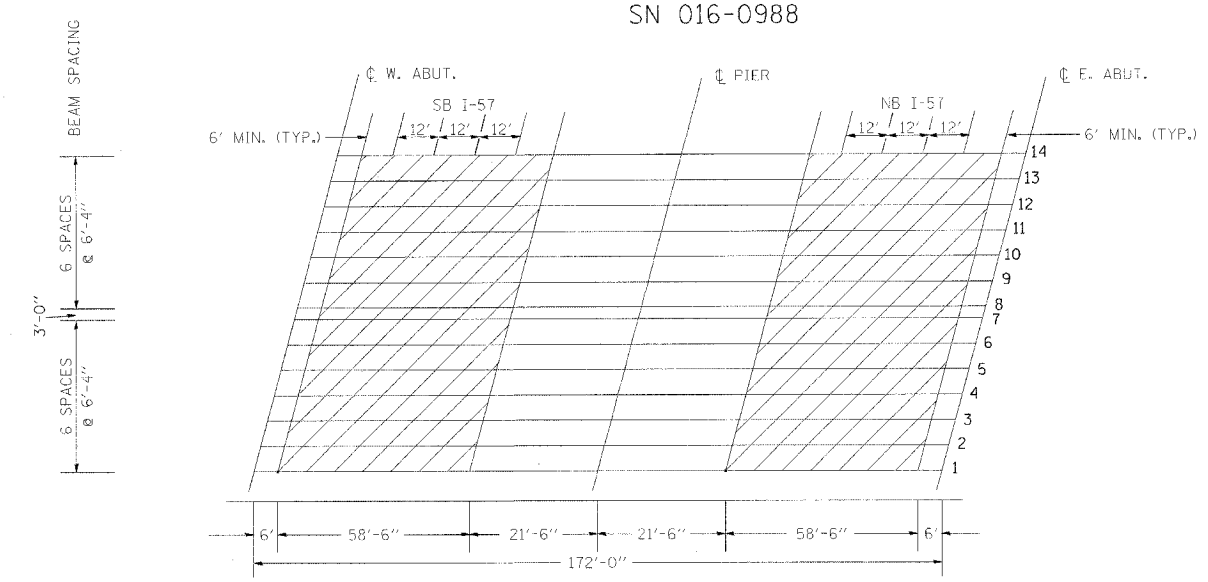
LOCATION 6  
OAKTON ST. /I-94  
SN 016-0827



LOCATION 7  
OLD ORCHARD RD. /I-94  
SN 016-0823



LOCATION 8  
112TH PL/I-57  
SN 016-0988



PLOT DATE = 6/19/2005  
FILE NAME = c:\p\proj\62944\118305\118305.dgn  
PLOT SCALE = 1/8" = 1' / IN.  
USER NAME = stanleyr

REVISIONS	
NAME	DATE

ILLINOIS DEPARTMENT OF TRANSPORTATION

LOCATIONS 5, 6, 7 AND 8

SCALE: VERT. HORIZ.  
DATE

DRAWN BY  
CHECKED BY

Rev.