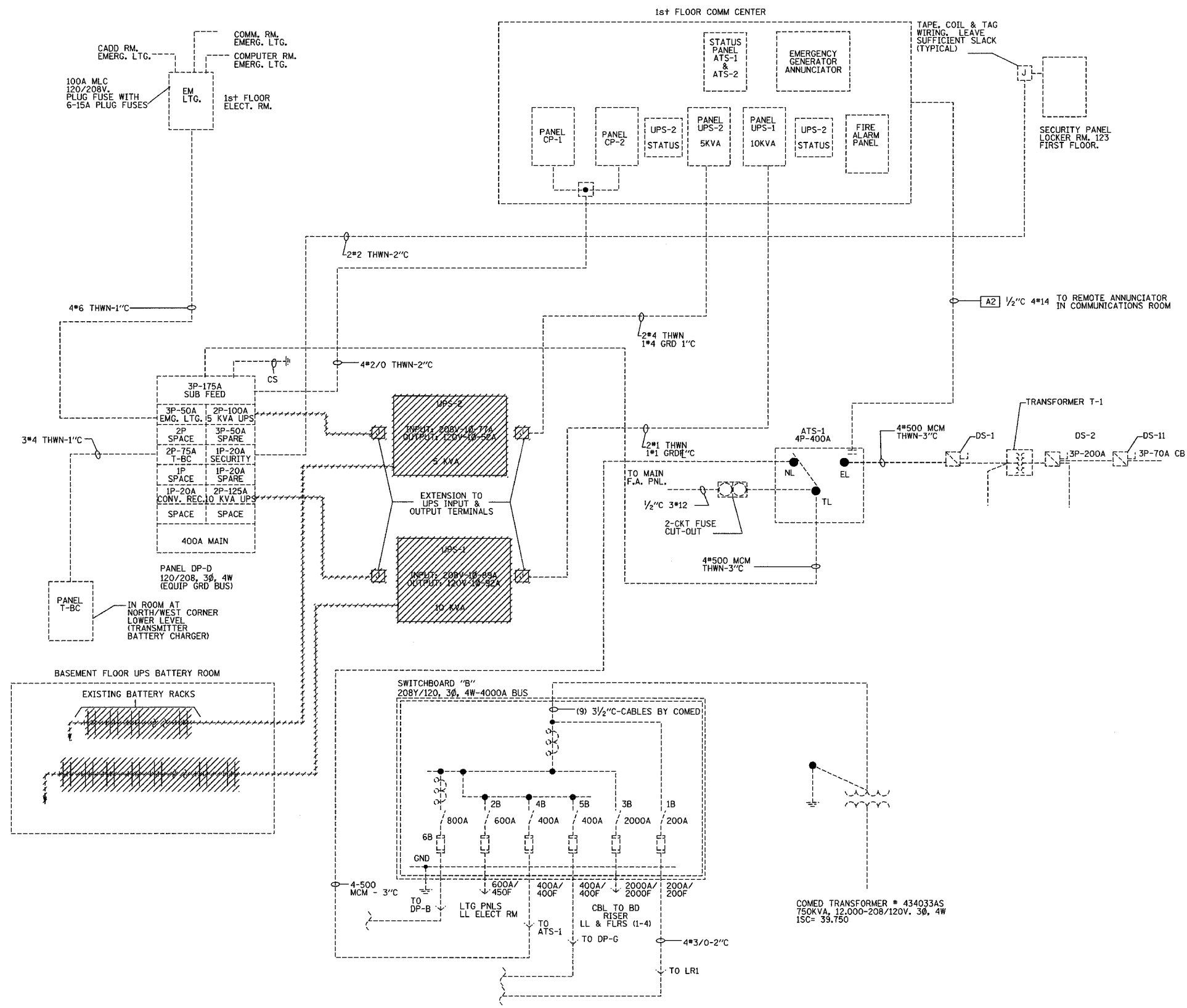


F.A.I. RTE.	SECTION	COUNTY	TOTAL SHEETS	SHEET NO.
94/90	2005-0201	COOK	16	9
STA.	TO STA.			
FED. ROAD DIST. NO.	ILLINOIS	FED. AID PROJECT		
62947				



LEGEND

----- EXISTING CONDUIT AND OR EQUIPMENT TO BE REMOVED

▨

UPS-02

REVISIONS	
NAME	DATE

ILLINOIS DEPARTMENT OF TRANSPORTATION
 F.A.I. 94/90 (DAN RYAN EXPRESSWAY)
 31st STREET to I-57

EXISTING SINGLE LINE DIAGRAM
 (SCHAUMBURG COMMUNICATION CENTER)

SCALE: NOT TO SCALE
 DATE: SEPTEMBER 23, 2005

DRAWN BY: JM
 CHECKED BY: CS

Edwards AND Kelcey

ONE NORTH FRANKLIN
 CHICAGO, IL 60606
 PHONE: (312) 251-3000
 FAX: (312) 251-3015
 WEB: WWW.EDKORP.COM

P:\030019\0305\Vis\cadd\contract\62947\ups020202.sst 07/06/2005 11:34:12 AM