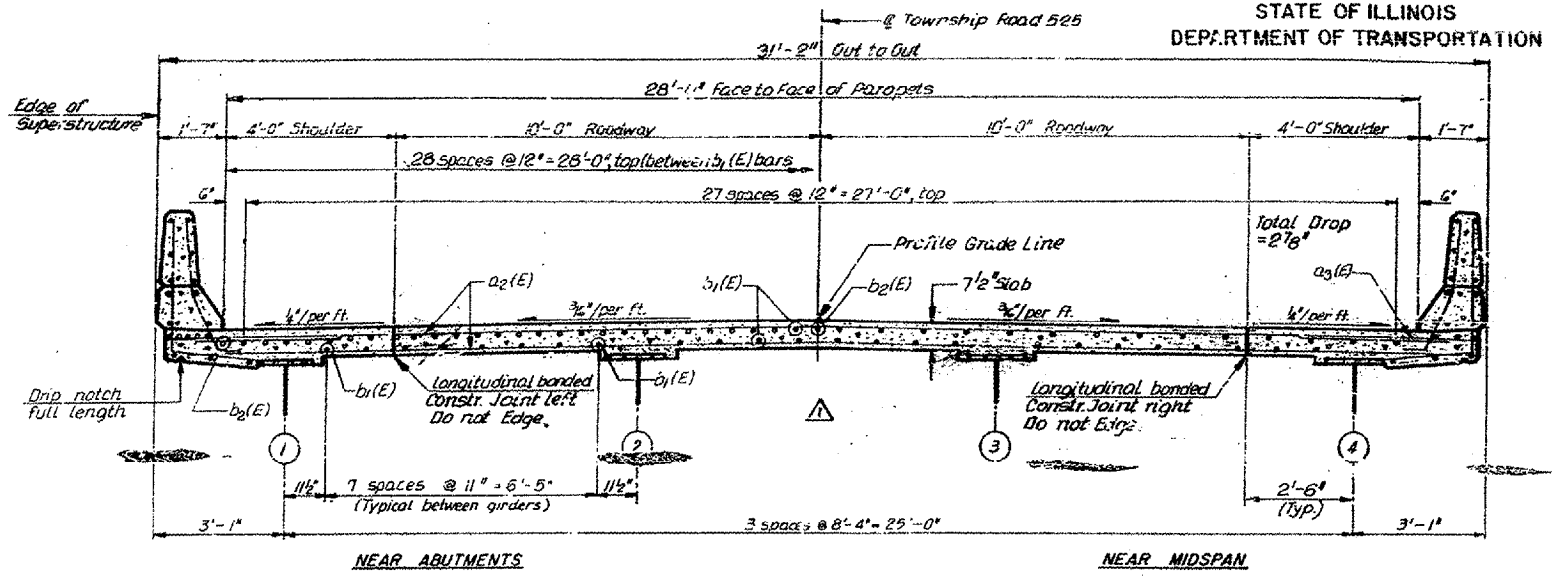


F.A.I. RTE.	SECTION	COUNTY	TOTAL SHEETS	SHEET NO.
412	501HB-2.1HB1BP	LASALLE	17	9
ILLINOIS				

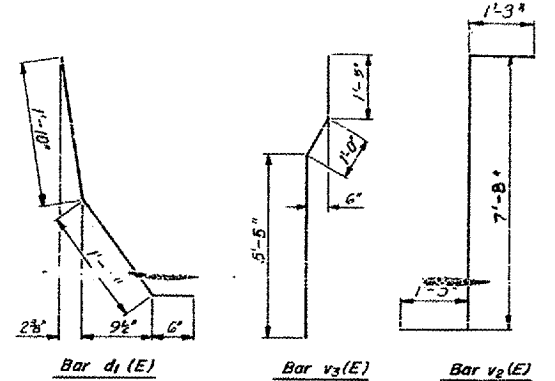
STATE OF ILLINOIS
DEPARTMENT OF TRANSPORTATION



Note:
If longitudinal joint is used, areas outside of joint to be poured after ① & ② as shown on Dwg. No F5

SUPERSTRUCTURE
BILL OF MATERIAL

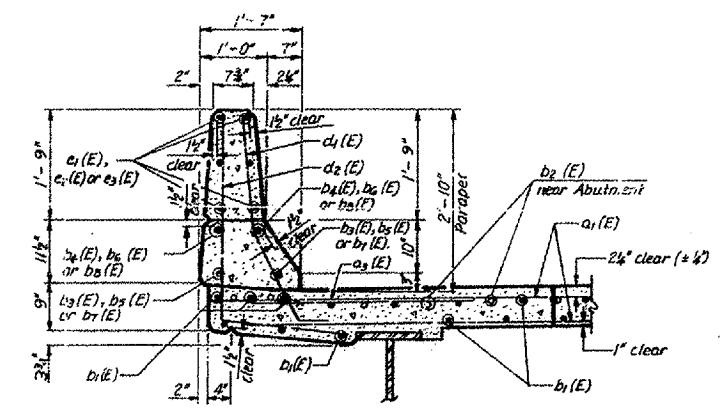
Bar	No.	Size	Length	Shape
a ₁ (E)	860	#5	30'-4"	
a ₂ (E)	496	#6	4'-0"	
a ₃ (E)	512	#5	29'-11"	
b ₁ (E)	180	#6	33'-2"	
b ₂ (E)	32	#5	15'-3"	
b ₃ (E)	32	#6	15'-3"	
b ₄ (E)	16	#5	32'-11"	
b ₅ (E)	16	#5	32'-11"	
b ₆ (E)	8	#5	19'-9"	
b ₇ (E)	8	#8	19'-9"	
b ₈ (E)	68	#5	4'-0"	
d ₁ (E)	496	#5	3'-11"	
d ₂ (E)	456	#4	5'-2"	
e ₁ (E)	96	#4	15'-3"	
e ₂ (E)	96	#4	15'-4"	
e ₃ (E)	24	#4	19'-9"	
h ₁	28	#5	28'-3"	
v ₁ (E)	106	#5	4'-6"	
v ₂ (E)	56	#5	10'-2"	
v ₃ (E)	56	#5	7'-10"	
v ₄ (E)	56	#5	2'-0"	
v ₅ (E)	56	#5	5'-0"	
Item	Unit	Quantity		
Class X-01c Superstr.	Cu. Yd.	238		
Reinforcement bars, Epoxy coated	Pound	68,500		



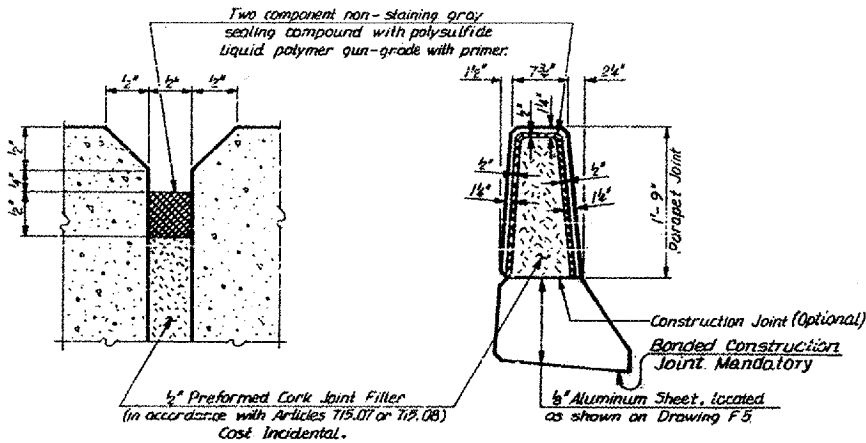
BAR BENDING DIAGRAMS

MINIMUM BAR LAPS

#5 bars = 1'-9"
#6 bars = 2'-4"



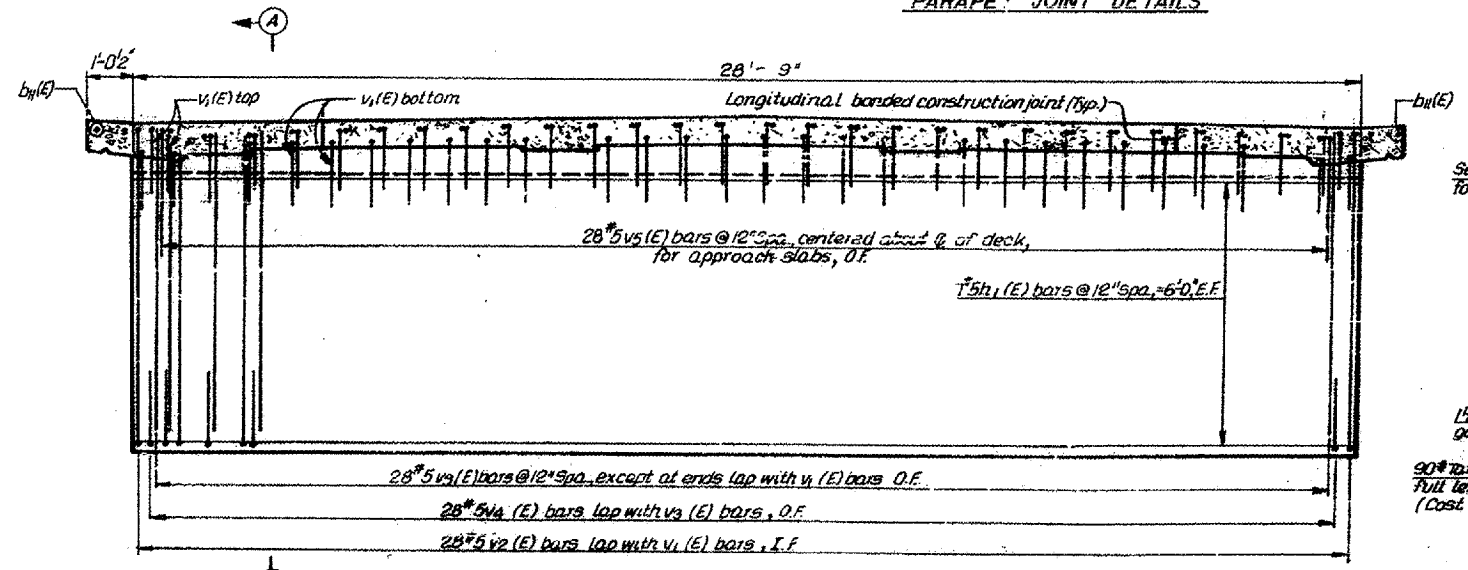
CROSS SECTION THRU PARAPET



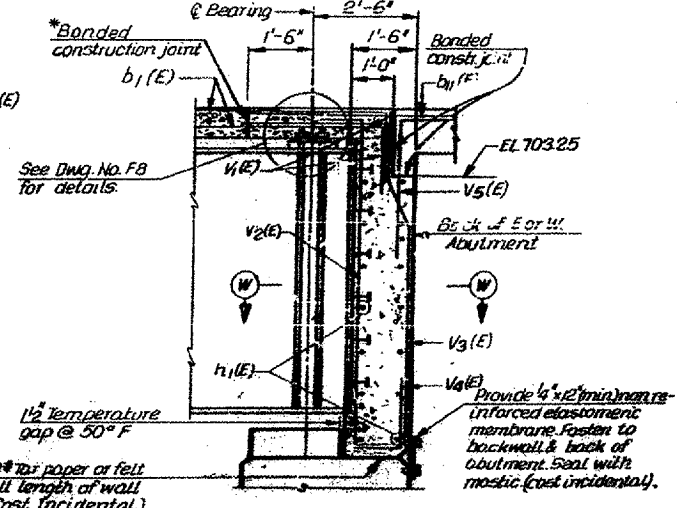
LONGITUDINAL SECTION THRU JOINT

SECTION Y-Y

PARAPET JOINT DETAILS



ABUTMENT DIAPHRAGM ELEVATION (SECTION X-X)



SECTION A-A B-C-C

Notes:
* Diaphragms and ends of deck are to be poured after other forms have been removed.
For Section W-W see Dwg. F8
For location of Section X-X & Y-Y see Dwg. F5
For location of Section C-C see Dwg. F5

REVISIONS	NAME	DATE

ILLINOIS DEPARTMENT OF TRANSPORTATION
**EXISTING STRUCTURE PLANS
FOR INFORMATION ONLY**
BRIDGE LOCATION 1
S.N. 050-0214
SCALE: VERT. _____
HORIZ. _____
DATE 04/18/05
DRAWN BY RW
CHECKED BY _____

Date: 04/18/05
Project: c:\projects\main05\cm3078\details.dgn